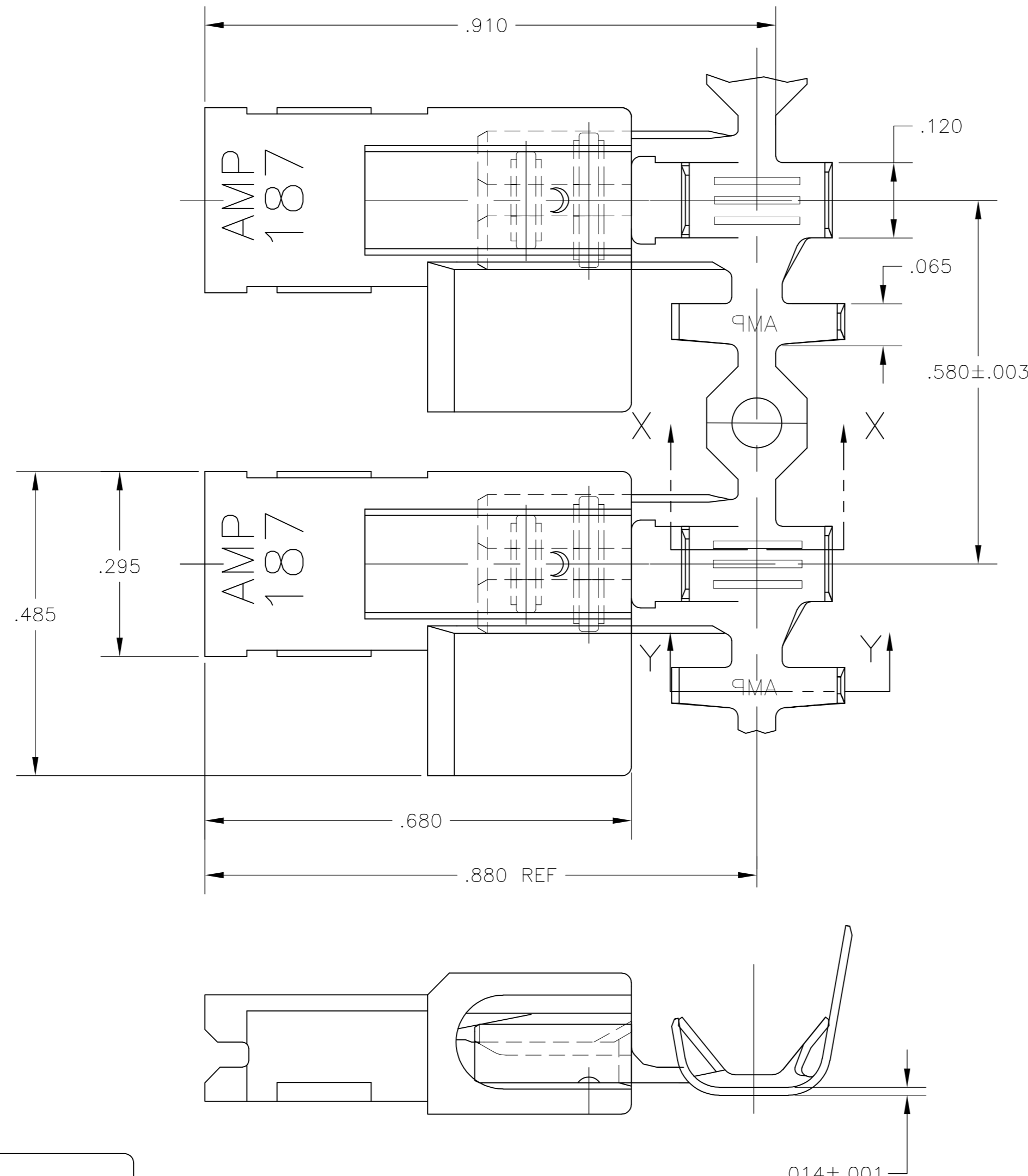
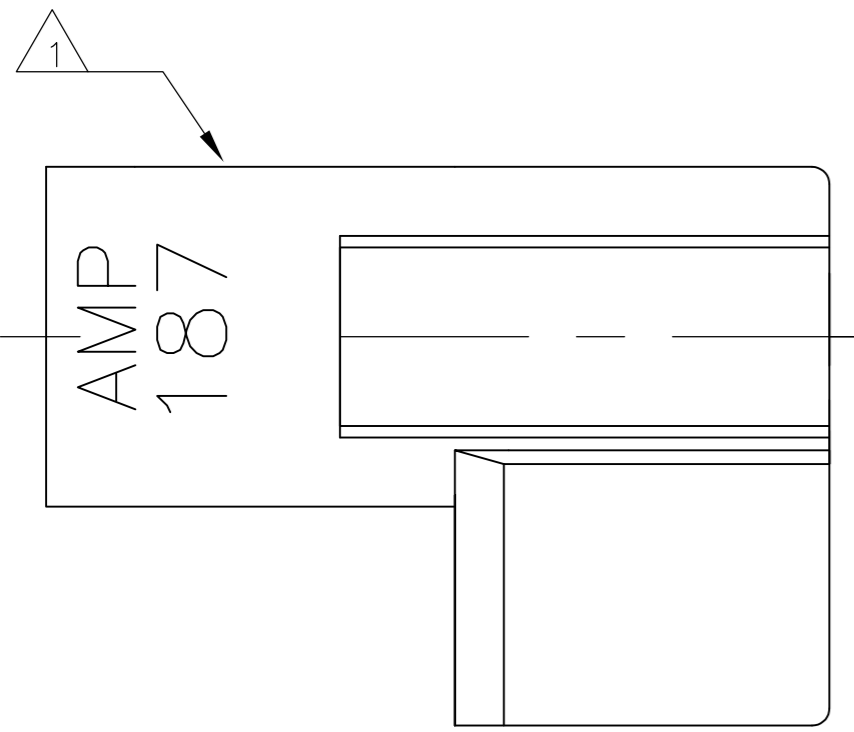
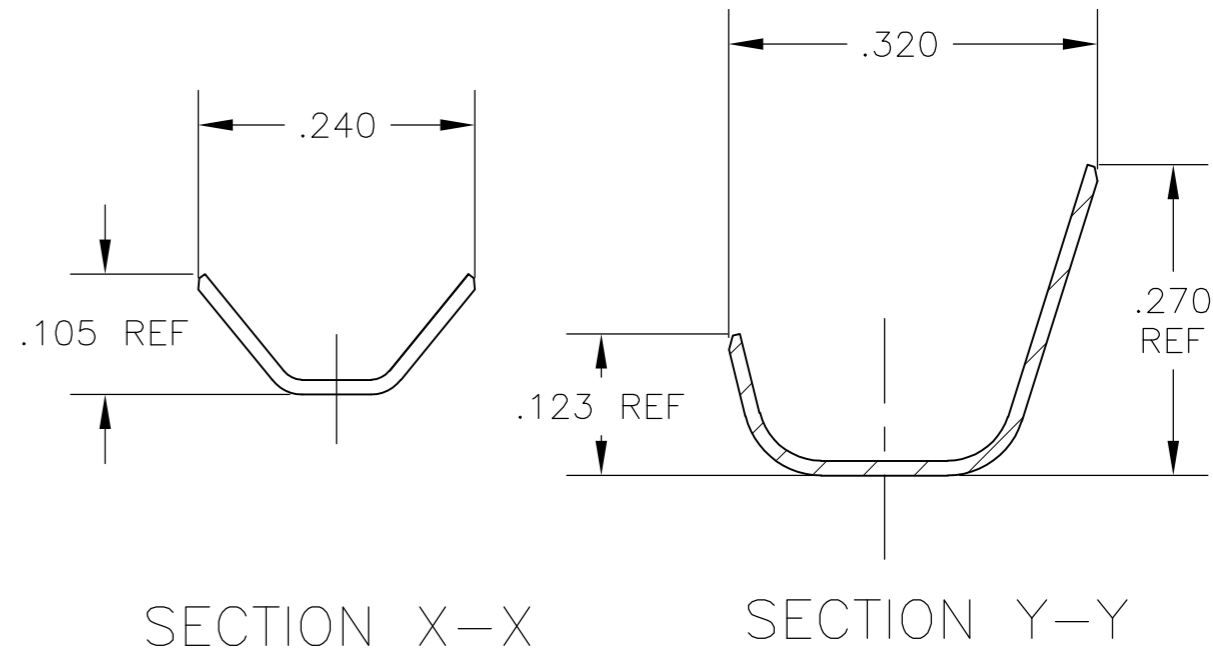


THIS DRAWING IS UNPUBLISHED. RELEASED FOR PUBLICATION
 © COPYRIGHT - By - ALL RIGHTS RESERVED.

LOC	DIST	REVISIONS			
P	LTR	DESCRIPTION	DATE	DWN	APVD
AF	50				
J		REVISED PER ECR-12-013062	18DEC12	KH	KR



- 1 ALTERNATIVE HOUSING FORM
- 2 WIRE SIZES & COMBINATIONS: #18, #16, #14, (2)#20, (2)#18
- 3 INSULATION RANGE IS .110-.150 DIA OR TWO AT .110 MAX DIA.
- 4 MATERIAL;
 TERMINAL: BRASS, FINISH SEE TABLE
 HOUSING: 6/6 NYLON, NATURAL COLOR (WHITE)
- 5 FITS .187 X .032 THK FASTON TAB



THIS DRAWING IS A CONTROLLED DOCUMENT.		DWN	JR RUTH	30JUL03
DIMENSIONS: INCHES		CHK	J HUMMEL	24JUL03
TOLERANCES UNLESS OTHERWISE SPECIFIED:		APVD	KRISTY YI	24JUL03
0 PLC	± -	PRODUCT SPEC	108-2215	
1 PLC	± -	APPLICATION SPEC	114-2124	
2 PLC	± -	WEIGHT	-	
3 PLC	± .010	CUSTOMER DRAWING		
4 PLC	± -	SCALE	6:1	
ANGLES	± -	SHEET	1 of 1	
FINISH	SEE NOTES	REV	J	

.000040 MIN TIN PLATE		521601-2
NO PLATING		521601-1
TERMINAL: FINISH		PART NO.

TE TE Connectivity	
ASSEMBLY, RECPT, FLAG, ULTRA-POD, .187 SERIES 18-14 AWG , VO HOUSING	
SIZE	RESTRICTED TO
A2	-

521601