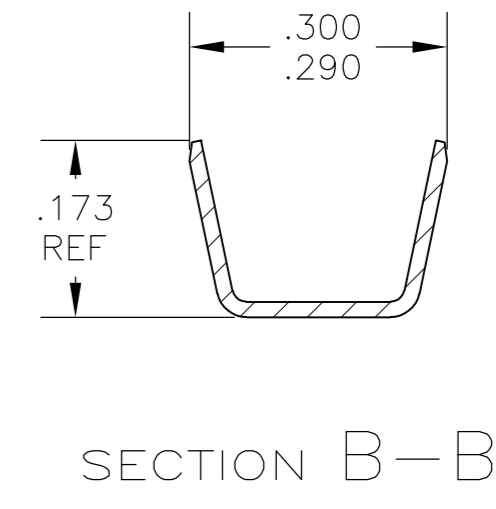
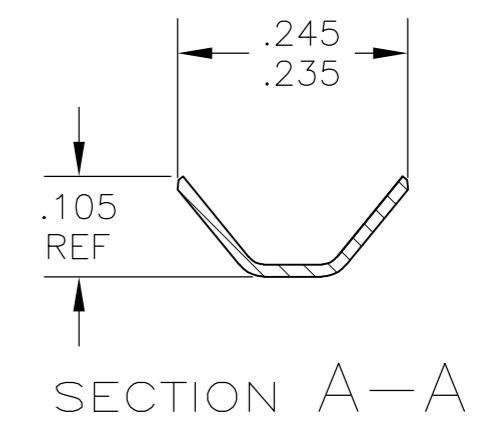
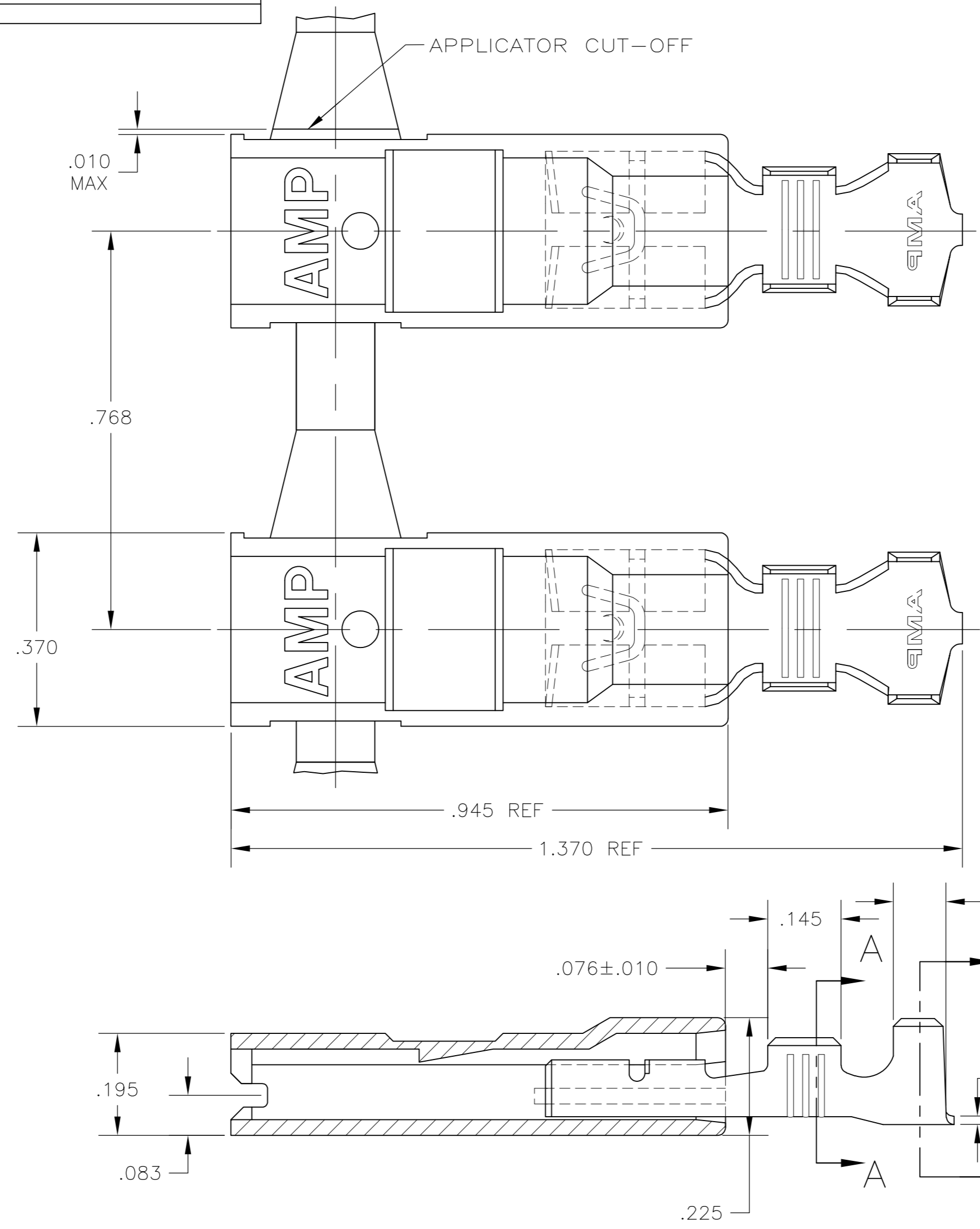


THIS DRAWING IS UNPUBLISHED. RELEASED FOR PUBLICATION
 © COPYRIGHT - By - ALL RIGHTS RESERVED.

LOC	DIST	REVISIONS			
P	LTR	DESCRIPTION	DATE	DWN	APVD
AF	50				
	D2	REVISED PER ECR-12-013219	08JAN13	KH	KR



- 1 LOW-INSERTION FASTON TERMINALS ARE USED IN THIS PRODUCT.
- 2 TIN PLATE PER .000080 MIN
- 3 WIRE SIZE IS 18-14 OR TWO 18'S AWG OR TWO 20'S AWG
- 4 INSULATION RANGE IS .110-.180 DIA OR TWO .105 MAX DIA
- 5 MATING TAB THK IS .032±.001

STANDARD	6/6 VO NYLON, NATURAL	BRASS - TIN	2	521632-2
STANDARD	6/6 VO NYLON, NATURAL	BRASS - PLAIN		521632-1
PACKAGING	HOUSING MATERIAL & FINISH	TERMINAL MATERIAL & FINISH		PART NO.

THIS DRAWING IS A CONTROLLED DOCUMENT.

DWN	JR RUTH	12MAY03	 TE Connectivity
CHK	MS FEHER	12MAY03	
APVD	J HUMMEL	12MAY03	
NAME	ASSEMBLY, ULTRA-POD, RECEPTACLE, .250 SERIES		
DIMENSIONS:	TOLERANCES UNLESS OTHERWISE SPECIFIED:	PRODUCT SPEC	108-1285
INCHES	0 PLC ± -	APPLICATION SPEC	114-2124
	1 PLC ± -	WEIGHT	-
	2 PLC ± -	SCALE	A2 5:1
	3 PLC ± .010	CAGE CODE	00779
	4 PLC ± -	DRAWING NO	C=521632
	ANGLES ± -	RESTRICTED TO	-
MATERIAL	FINISH	CUSTOMER DRAWING	SCALE 5:1 SHEET 1 of 1 REV D2
SEE TABLE	SEE TABLE		