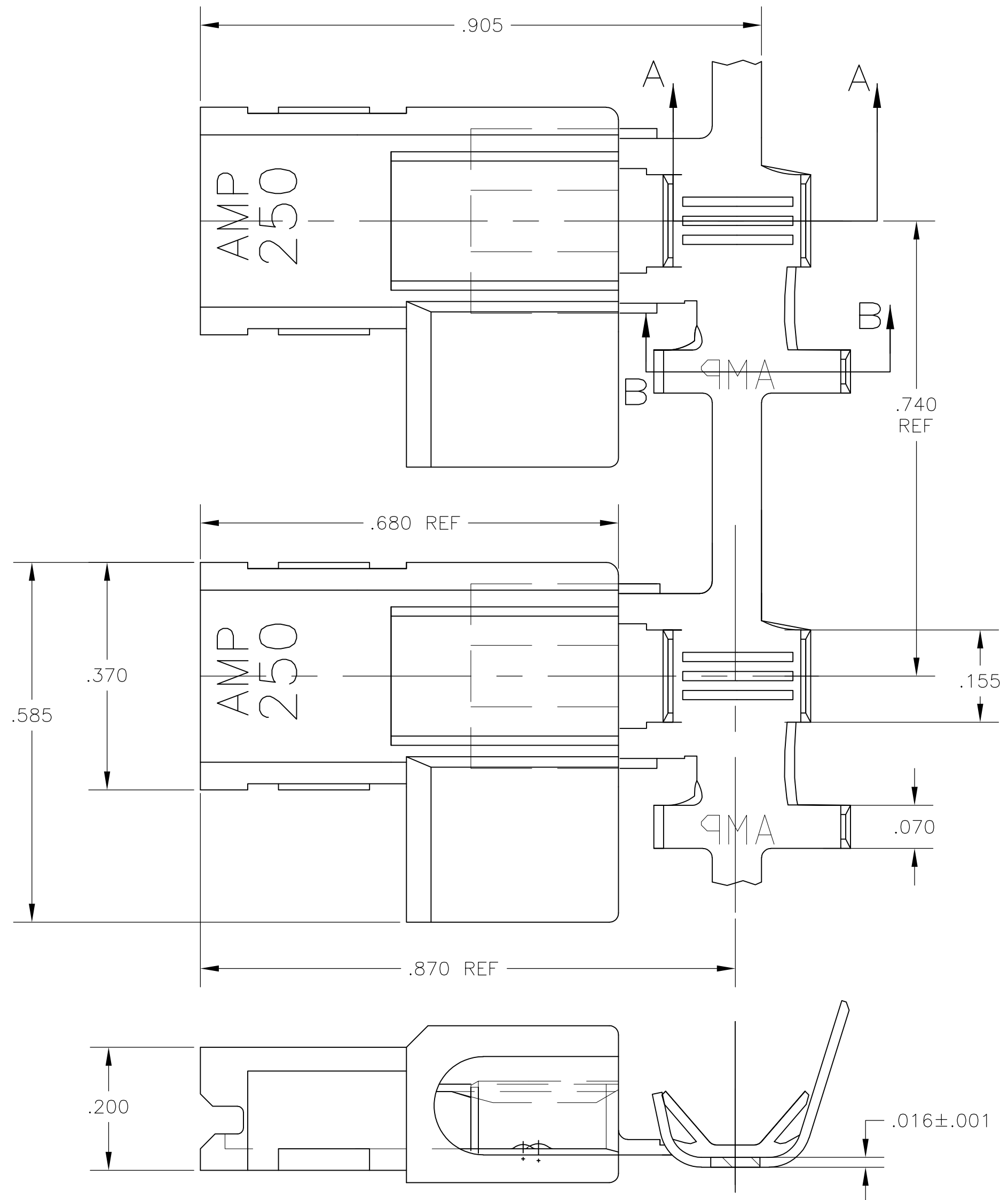
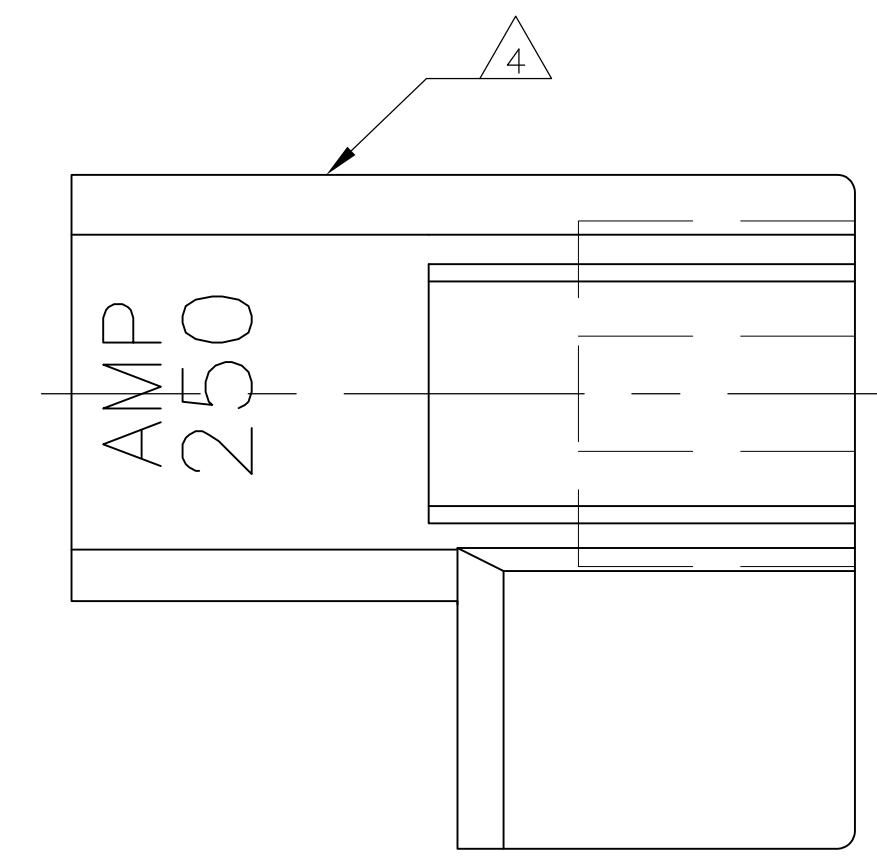
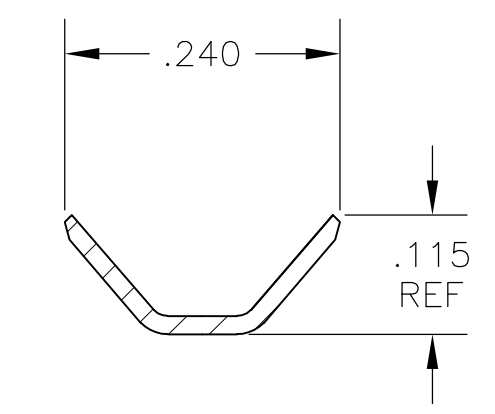
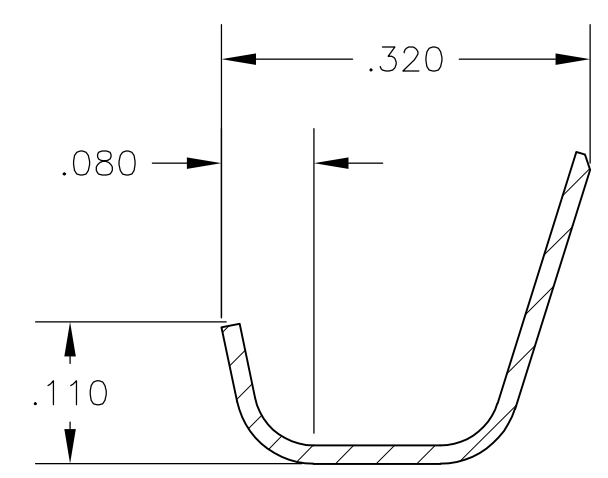


THIS DRAWING IS UNPUBLISHED. RELEASED FOR PUBLICATION  
 © COPYRIGHT BY TYCO ELECTRONICS CORPORATION. ALL RIGHTS RESERVED.

LOC	DIST	REVISIONS			
P	LTR	DESCRIPTION	DATE	DWN	APVD
AF	50	G2	REVISED PER ECR-10-005376	11MAR10	JR GP



- 2 INSULATION RANGE TO BE .110-.160 OR TWO AT .110 MAX DIA.
- 3 WIRE SIZE IS [#18-#14 OR TWO #20'S OR TWO #18'S].
- △ ALTERNATE HOUSING FORM
- 5 FITS .250x.032 THICK FASTON TAB.



6/6 NYLON, VO / NATURAL	BRASS / TIN PLATED	521633-2
6/6 NYLON, VO / NATURAL	BRASS / PLAIN	521633-1
HOUSING MATERIAL / COLOR	TERMINAL MATERIAL / FINISH	PART NO
THIS DRAWING IS A CONTROLLED DOCUMENT.		DWN JR RUTH 08MAY03 CHK J HUMMEL 08MAY03 APVD J HUMMEL 08MAY03 Tyco Electronics Corporation Harrisburg, Pa 17105-3608
DIMENSIONS: INCHES	TOLERANCES UNLESS OTHERWISE SPECIFIED:	NAME
0 PLC ± - 1 PLC ± - 2 PLC ± - 3 PLC ± .010 4 PLC ± - ANGLES ± - FINISH SEE TABLE	PRODUCT SPEC 108-1285 APPLICATION SPEC 114-2124 WEIGHT - CUSTOMER DRAWING	ASSEMBLY, RECEPTACLE, FLAG, ULTRA-POD, .250 SERIES SIZE CAGE CODE DRAWING NO RESTRICTED TO A2 00779 C=521633 -
SEE TABLE	SEE TABLE	SCALE 6:1 SHEET 1 OF 1 REV G2

521633