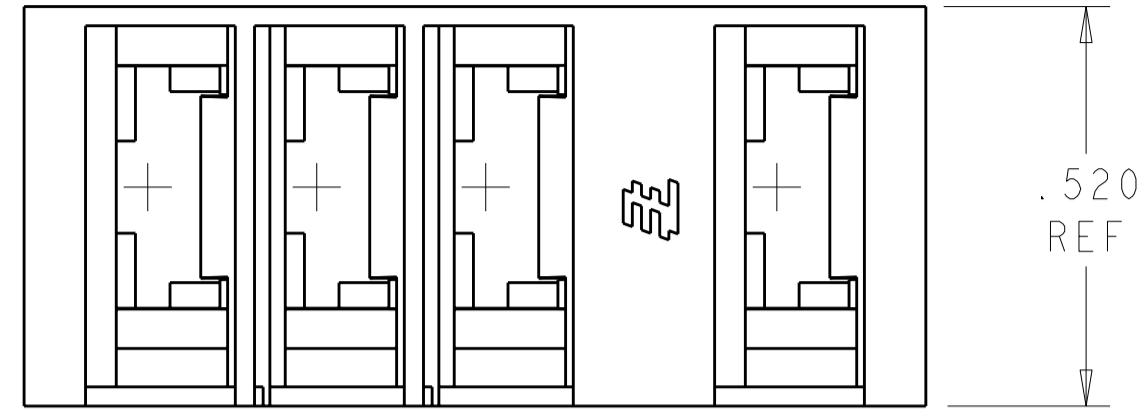
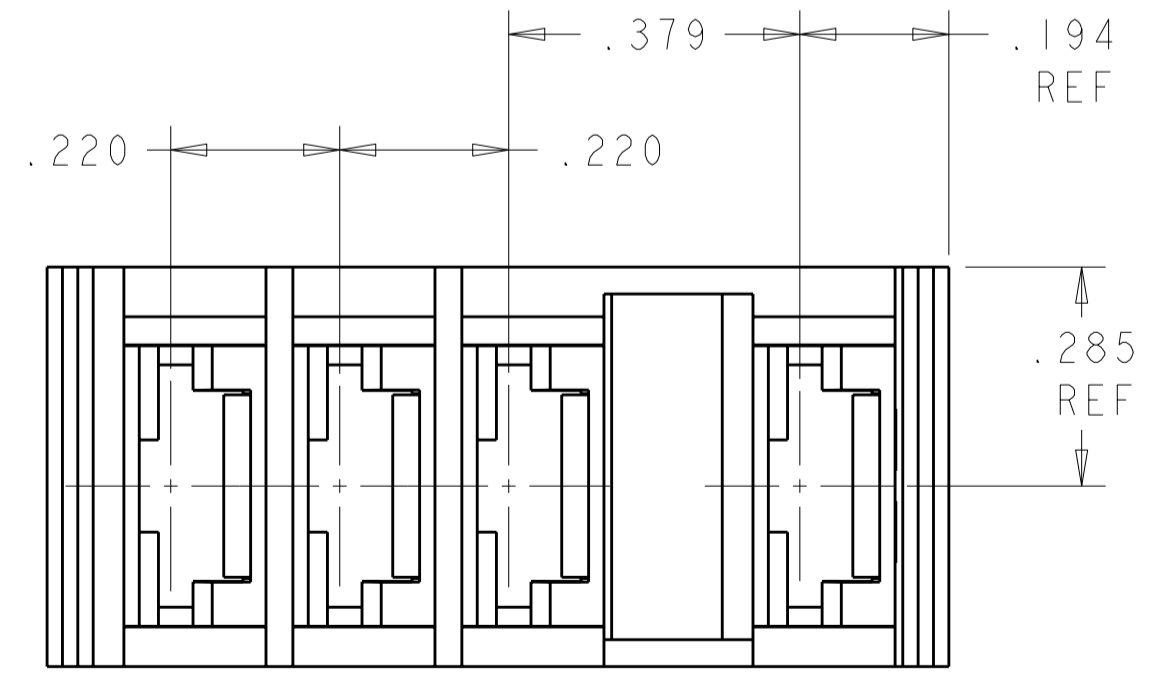
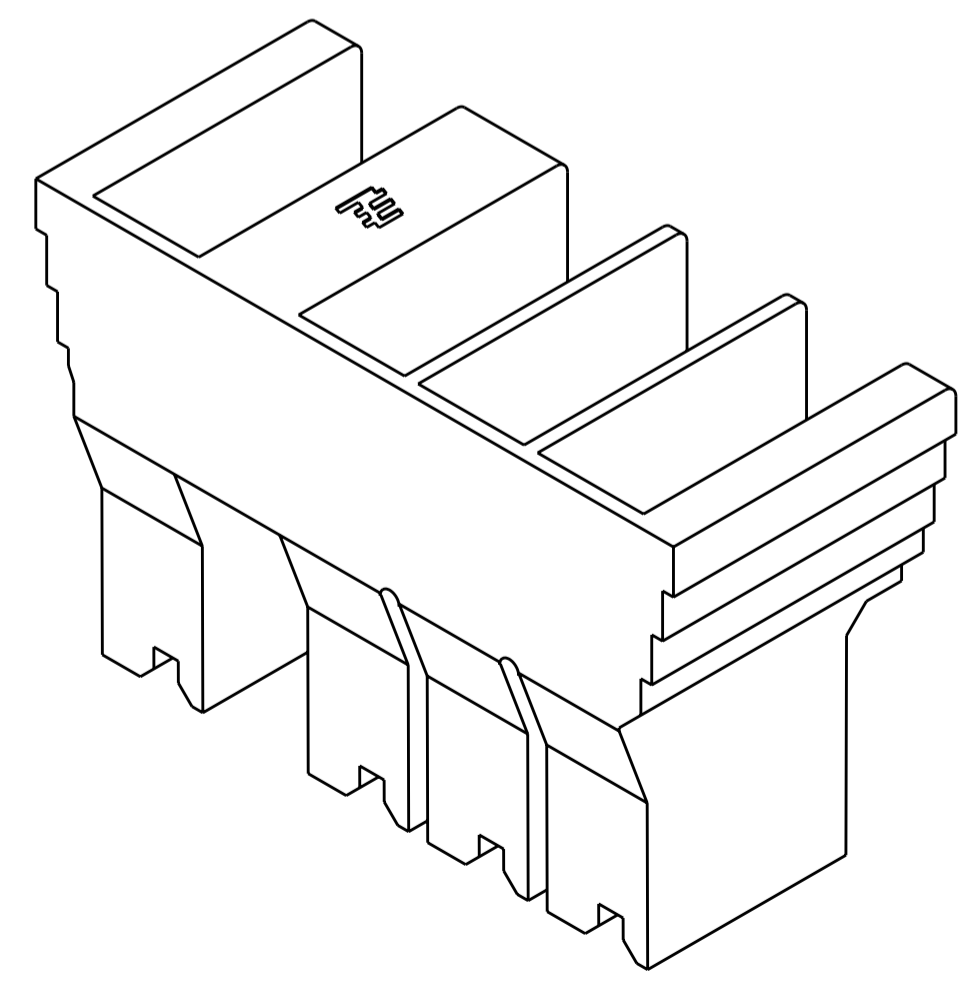
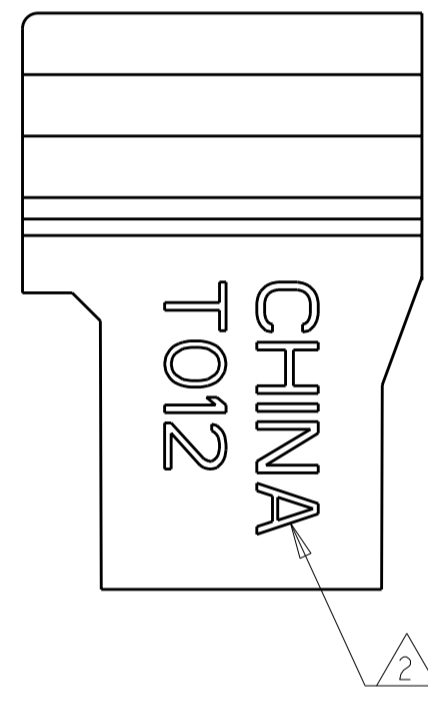
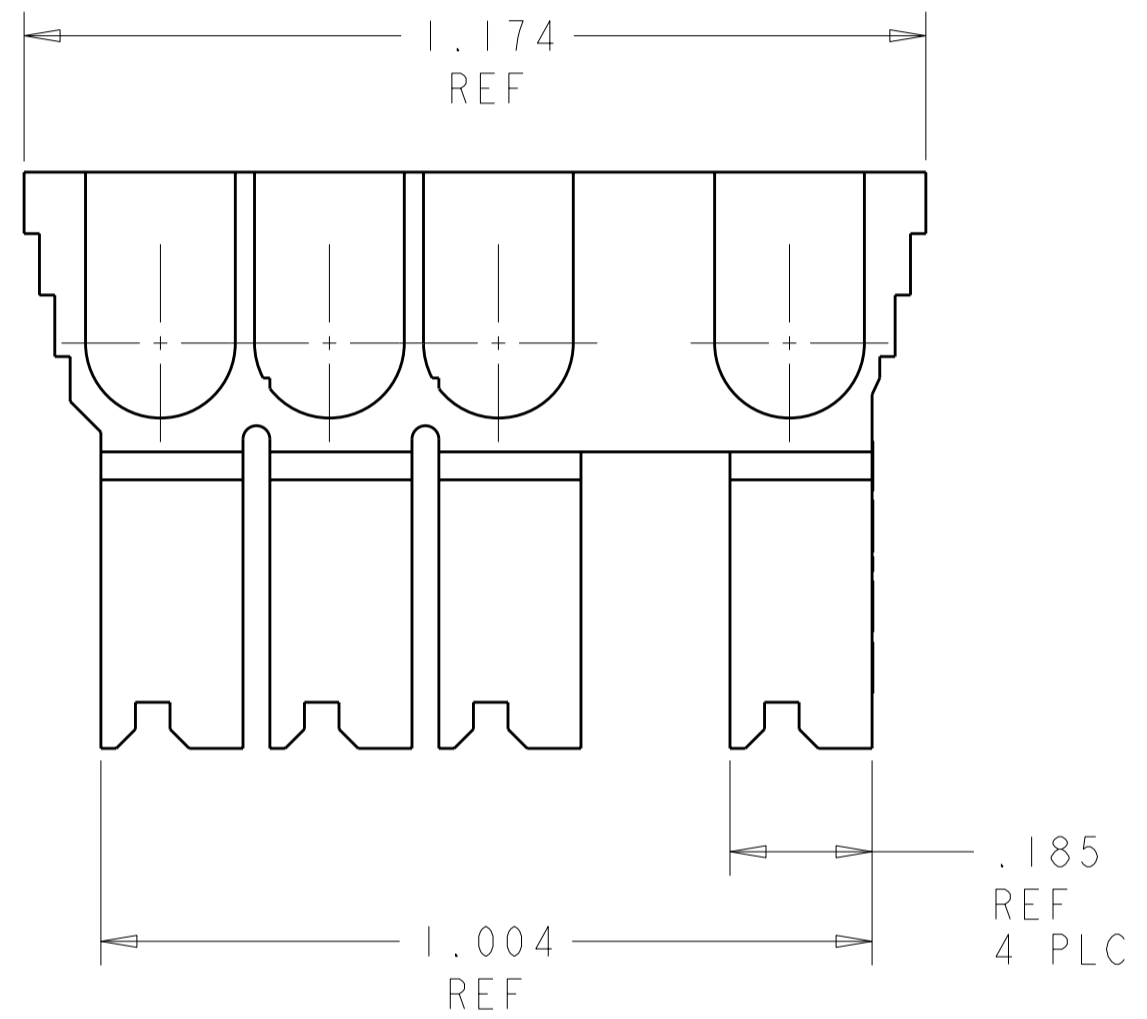
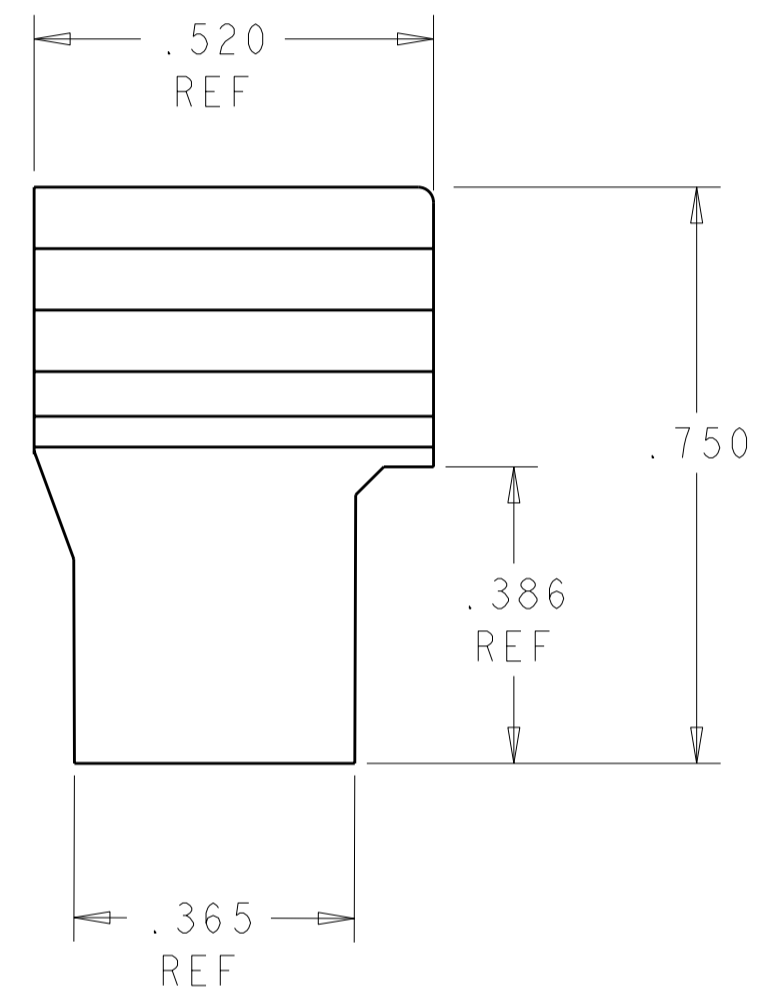


THIS DRAWING IS UNPUBLISHED. RELEASED FOR PUBLICATION 20  
 © COPYRIGHT 20 BY TYCO ELECTRONICS CORPORATION. ALL RIGHTS RESERVED.

LOC	DIST	REVISIONS			
P	LTR	DESCRIPTION	DATE	DWN	APVD
AF	50	K1	REVISED PER ECR-10-021735	260T10	JR PD



1. FOR USE WITH TE TERMINALS 63445-1 AND 63445-2  
 2. COUNTRY OF ORIGIN AND VENDOR CODE



BLACK	6/6 NYLON	521661-1
COLOR	MATERIAL	PART NUMBER

THIS DRAWING IS A CONTROLLED DOCUMENT FOR TYCO ELECTRONICS CORPORATION. IT IS SUBJECT TO CHANGE AND THE CONTROLLING ENGINEERING ORGANIZATION SHOULD BE CONTACTED FOR THE LATEST REVISION.		DWN R FLAIG 20AUG2003	Tyco Electronics Harrisburg, PA 17105-3608	
DIMENSIONS: INCHES		CHK P. DESANTIS 20AUG2003	NAME HOUSING, RECEPTACLE, FASTON, FLAG, .250 SERIES	
TOLERANCES UNLESS OTHERWISE SPECIFIED: 0 PLC ± 1 PLC ± 2 PLC ± 3 PLC ±.010 4 PLC ± ANGLES ±2° FINISH		APVD P. DESANTIS 20AUG2003	RESTRICTED TO	
MATERIAL SEE TABLE		PRODUCT SPEC -	SIZE A2	CAGE CODE 00779
		APPLICATION SPEC -	DRAWING NO 521661	REV K1
		WEIGHT -	SCALE 4:1 SHEET OF 1	
		CUSTOMER DRAWING		