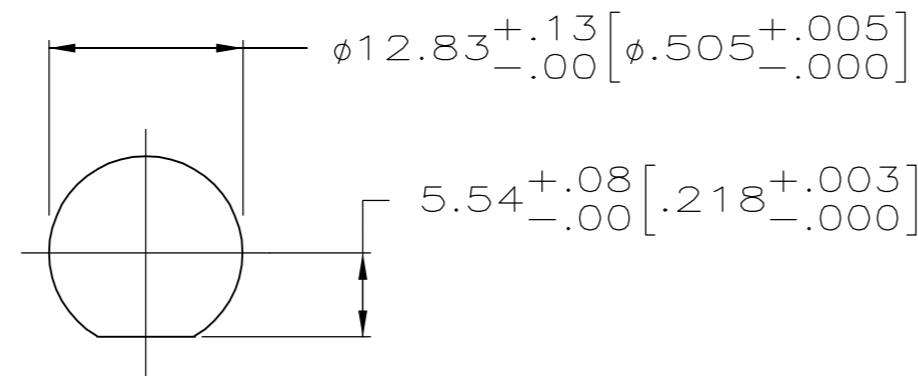
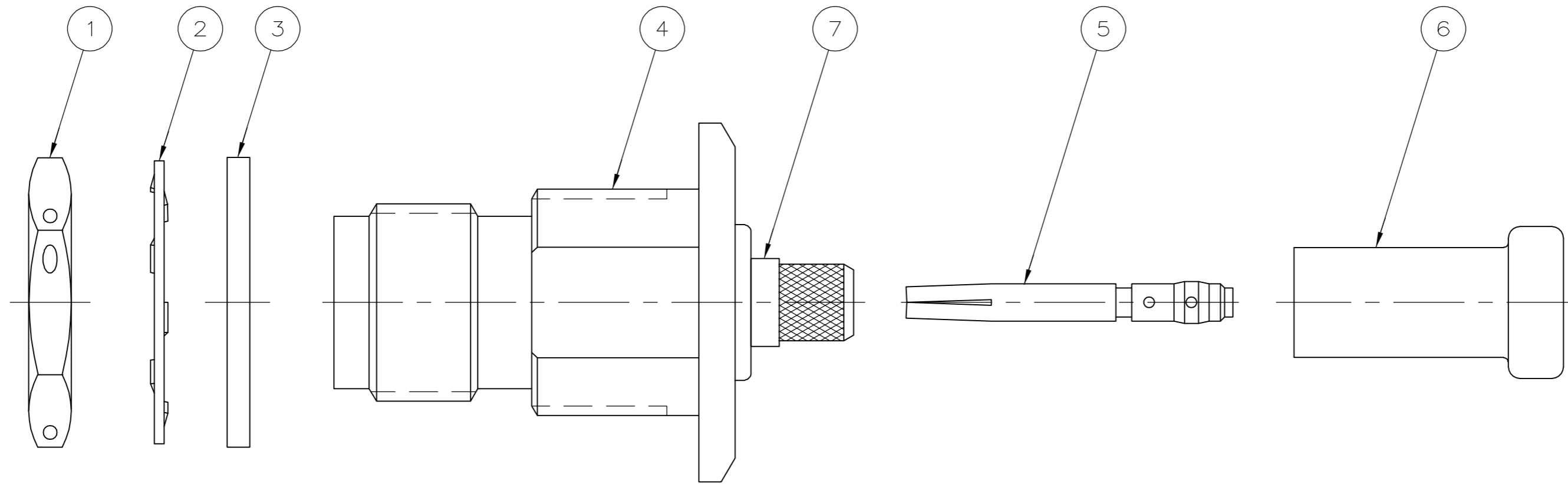


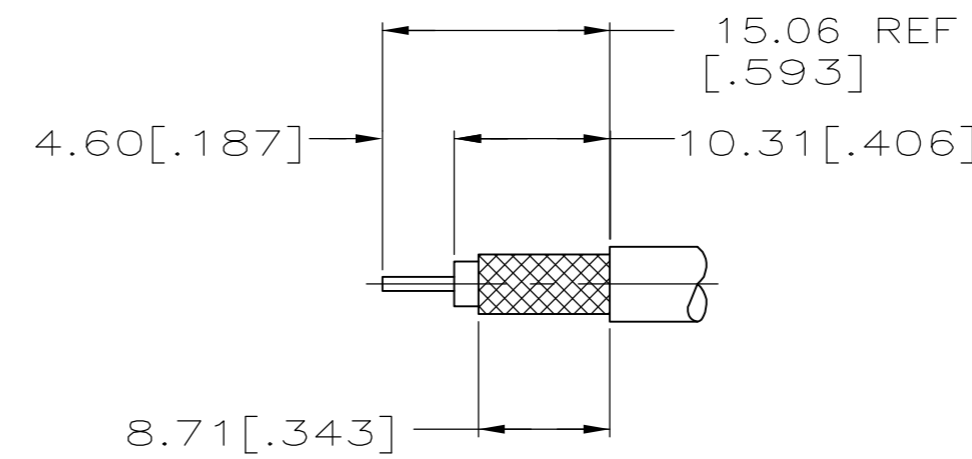
THIS DRAWING IS UNPUBLISHED. RELEASED FOR PUBLICATION
 © COPYRIGHT BY TYCO ELECTRONICS CORPORATION. ALL RIGHTS RESERVED.

Loc		DIST		REVISIONS			
P	LTR	DESCRIPTION		DATE	DWN	APVD	
AJ	00	01		REVISED PER ECO-06-029986	22DEC2006	KS	JL

1. SEE IS 2299-3



RECOMMENDED PANEL CUTOUT



RECOMMENDED STRIP LENGTH

220045-2	RG-142/U & 142B/U	225592-1	9-225560-0	225471-6	225475-2	329633	1-329632-2	1-329631-2	5225557-6
220045-2	RG-58A/U & RG-58C/U	225592-1	9-225560-1	225471-4	225475-2	329633	1-329632-2	1-329631-2	5225557-2
CRIMP WITH TOOL	CABLE SIZE	⑦ SEAL QTY=1	⑥ FERRULE QTY=1	⑤ CONTACT QTY=1	④ JACK ASSY QTY=1	③ GASKET QTY=1	② LOCKWASHER QTY=1	① JAM NUT QTY=1	PART NUMBER

THIS DRAWING IS A CONTROLLED DOCUMENT.

DWN	31JAN2005	 Tyco Electronics Corporation Harrisburg, PA 17105-3608
CHK	A. FERNANDEZ-DOCK5 31JAN2005	
APVD	J. HAVENER 31JAN2005	
APVD	J. LIPPERT 31JAN2005	
DIMENSIONS: MM [INCHES]		NAME
TOLERANCES UNLESS OTHERWISE SPECIFIED:		PRODUCT SPEC
0 PLC	± -	APPLICATION SPEC
1 PLC	± -	
2 PLC	± -	
3 PLC	± -	
4 PLC	± -	
ANGLES	± -	
MATERIAL	FINISH	WEIGHT
-	-	-
CUSTOMER DRAWING		SCALE 4:1
SIZE	CAGE CODE	DRAWING NO
A2	00779	C=5225557
RESTRICTED TO		SHEET 1 OF 1
REV 01		