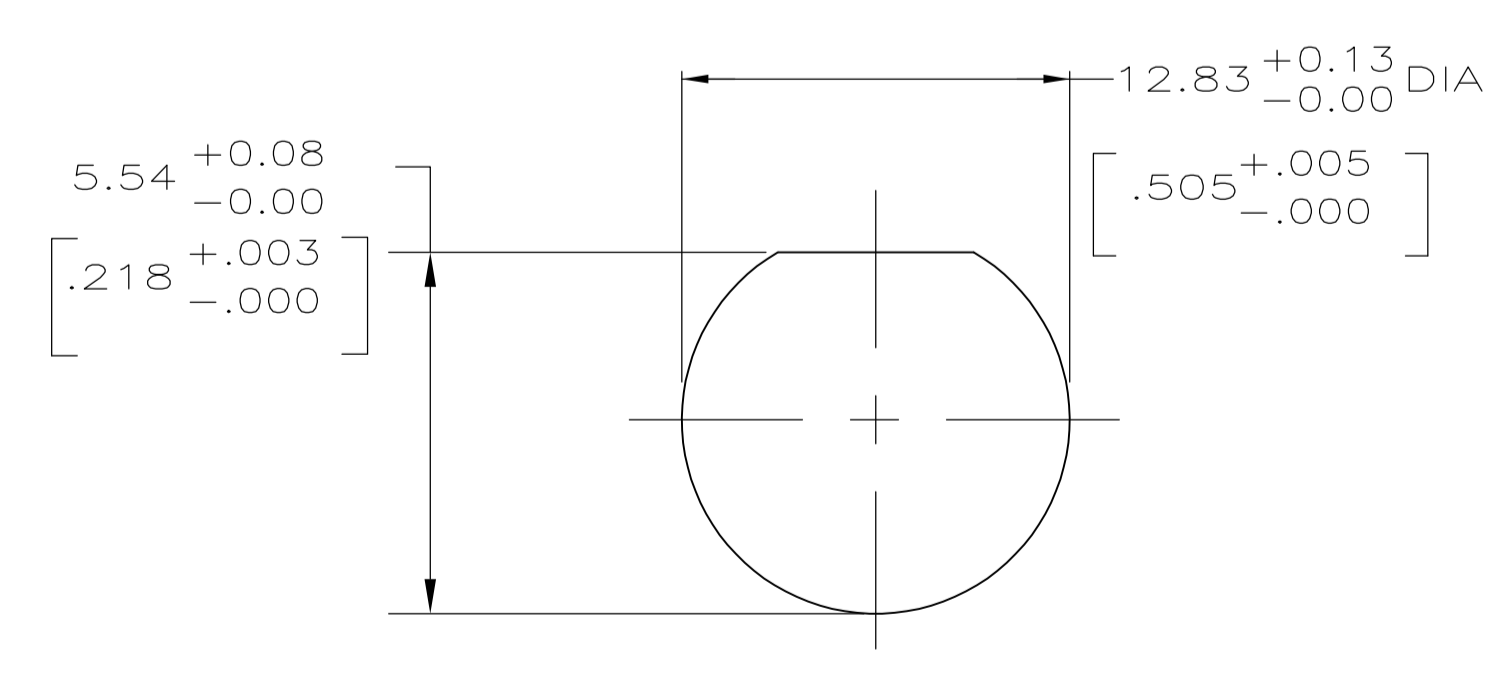
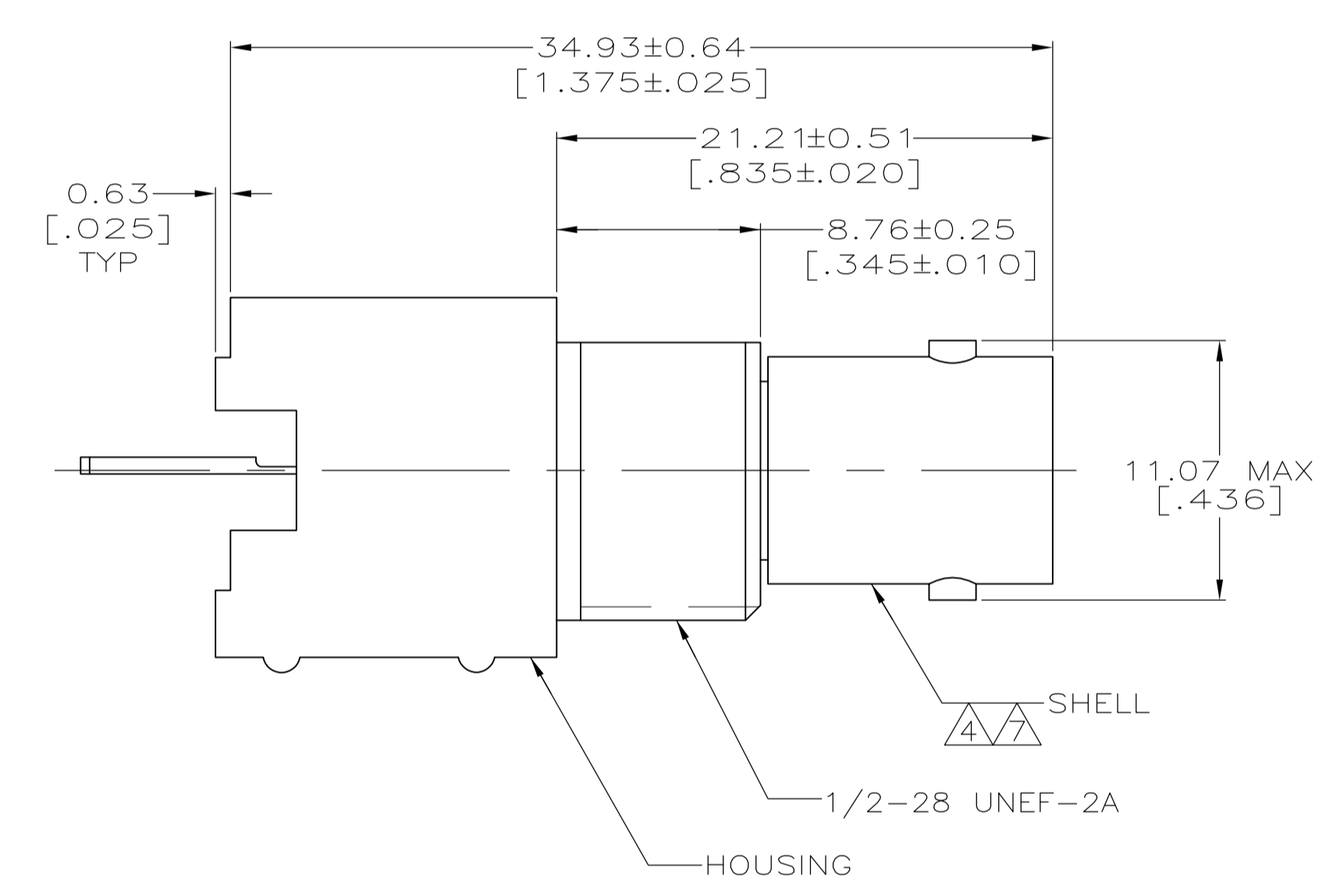
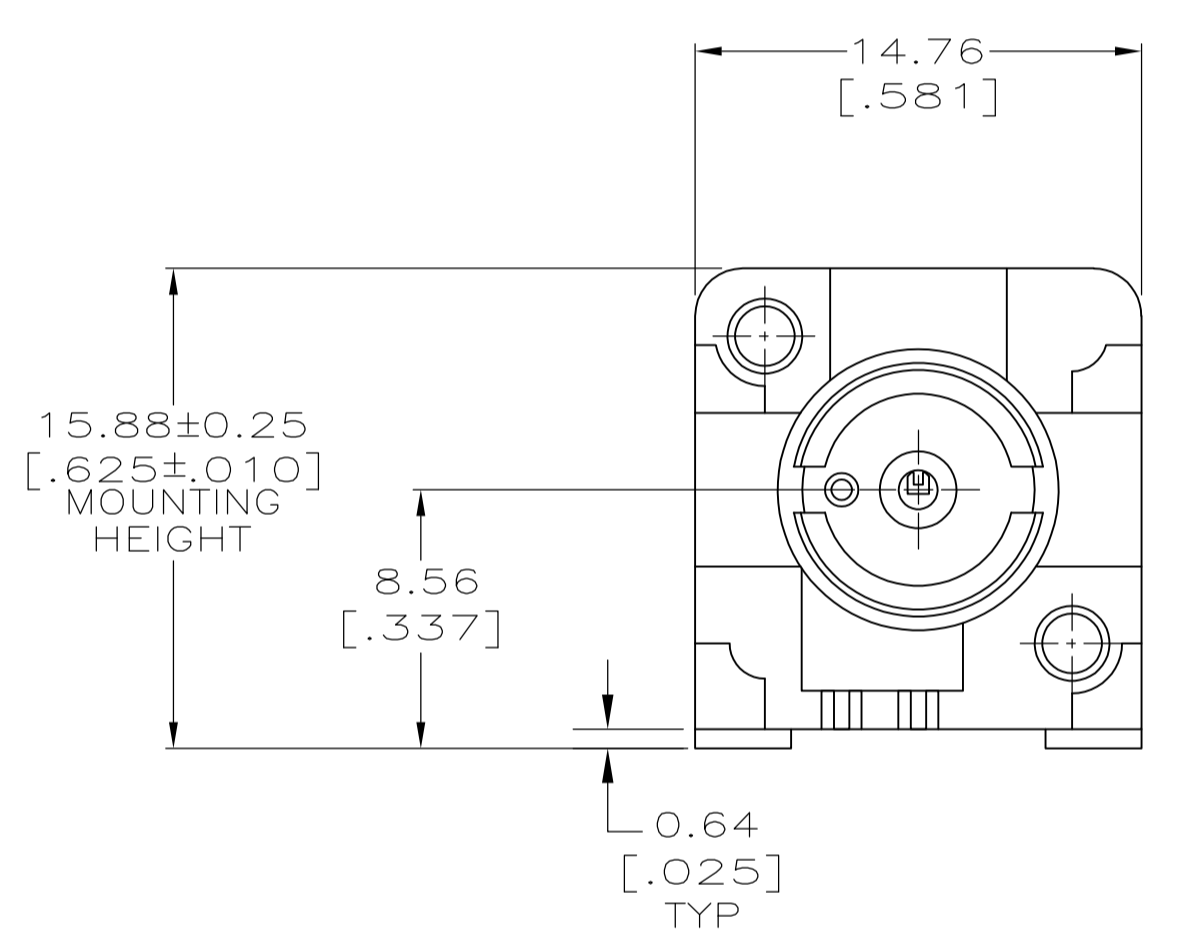
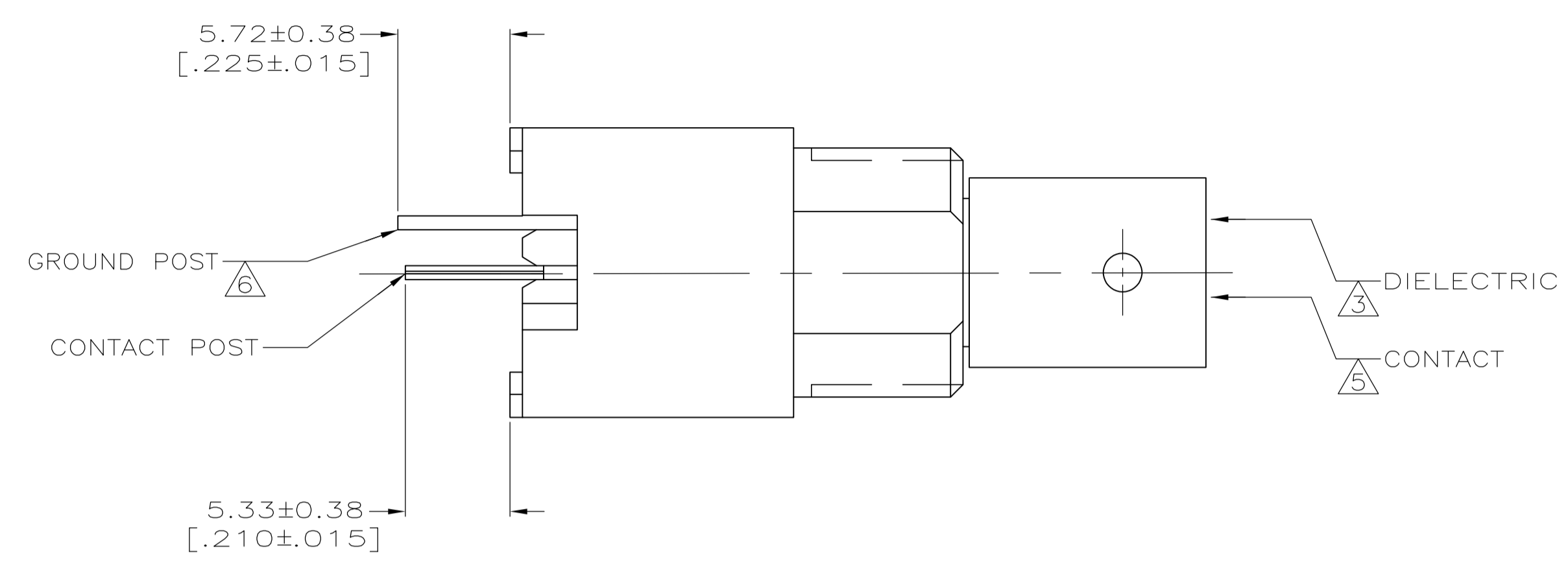
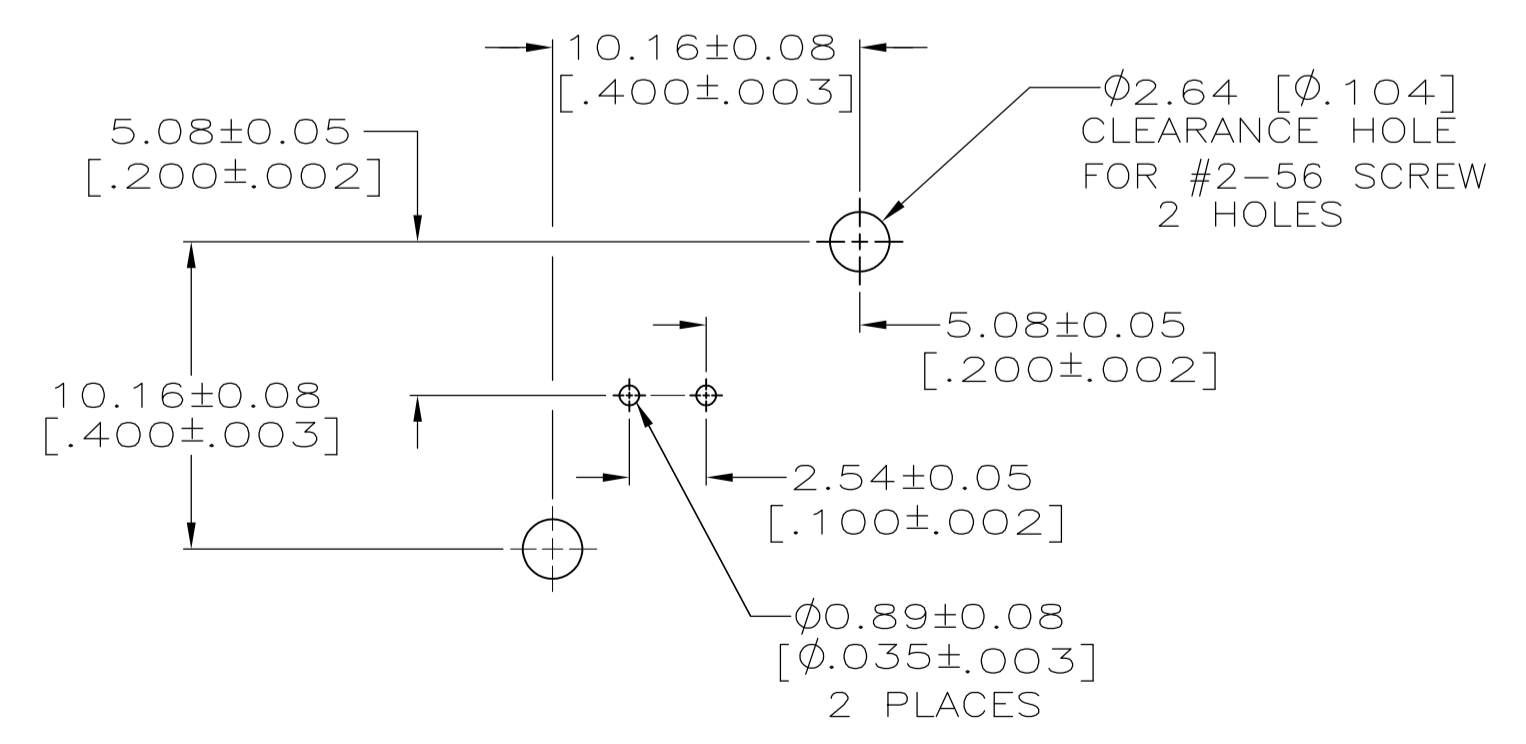


LOC		DIST		REVISIONS			
PL	LTR	DATE	DESCRIPTION	DATE	DNW	APVD	
B1		11MAR11	REVISED PER ECO-11-005030		RK	HMR	

- 1. POLYESTER PBT PER MIL-M-24519, TYPE GPT-15F, UL94V-0 RATED, COLOR:NATURAL
- 2. POLYESTER PBT PER MIL-M-24519, TYPE GPT-15F, UL94V-0 RATED, COLOR:BLACK
- 3. POLYMETHYLPENTENE, GENERAL PURPOSE.
- 4. ZINC PER QQ-Z-363.
- 5. PHOSPHOR BRONZE PER QQ-B-750.
- 6. BRASS PER ASTM-B-453.
- 7. NICKEL PLATE PER QQ-N-290, 3.81 μm [.000150] MINIMUM THICK.
- 8. TIN PLATE PER ASTM-B-545, 3.81 μm [.000150] MINIMUM THICK.
- 9. GOLD PLATE PER MIL-G-45204, 0.76 μm [.000030] MINIMUM THICK.
- 10. SEE INSTRUCTION SHEET 408-2769.



RECOMMENDED PANEL CUTOUT



PCB CONFIGURATION

GROUND POST PLATING	CONTACT POST PLATING	CONTACT PLATING	HOUSING MATERIAL	PART NUMBER
1	2	3	4	5226993-6
1	2	3	4	5226993-3
1	2	3	4	5226993-2
1	2	3	4	5226993-1

THIS DRAWING IS A CONTROLLED DOCUMENT.

DIMENSIONS: mm (INCHES)	TOLERANCES UNLESS OTHERWISE SPECIFIED:	DIN J. ALCORTA - 25APR2005	DOCK 5 J. HAVENER 25APR2005	STE TE Connectivity
0. PLC ± -	1. PLC ± -	APVD J. LIPPERT 25APR2005	NAME	JACK, VERTICAL, 50 OHM, PCB, SERIES BNC
2. PLC ± 0.20 [.008]	3. PLC ± -	PRODUCT SPEC	108-12078	
4. PLC ± -	ANGLES ± -	APPLICATION SPEC		
MATERIAL	FINISH	SIZE	CAGE CODE	DRAWING NO
		WEIGHT	A1	00779
CUSTOMER DRAWING		SCALE	2:1	SHEET 1 OF 1
		REV	B1	