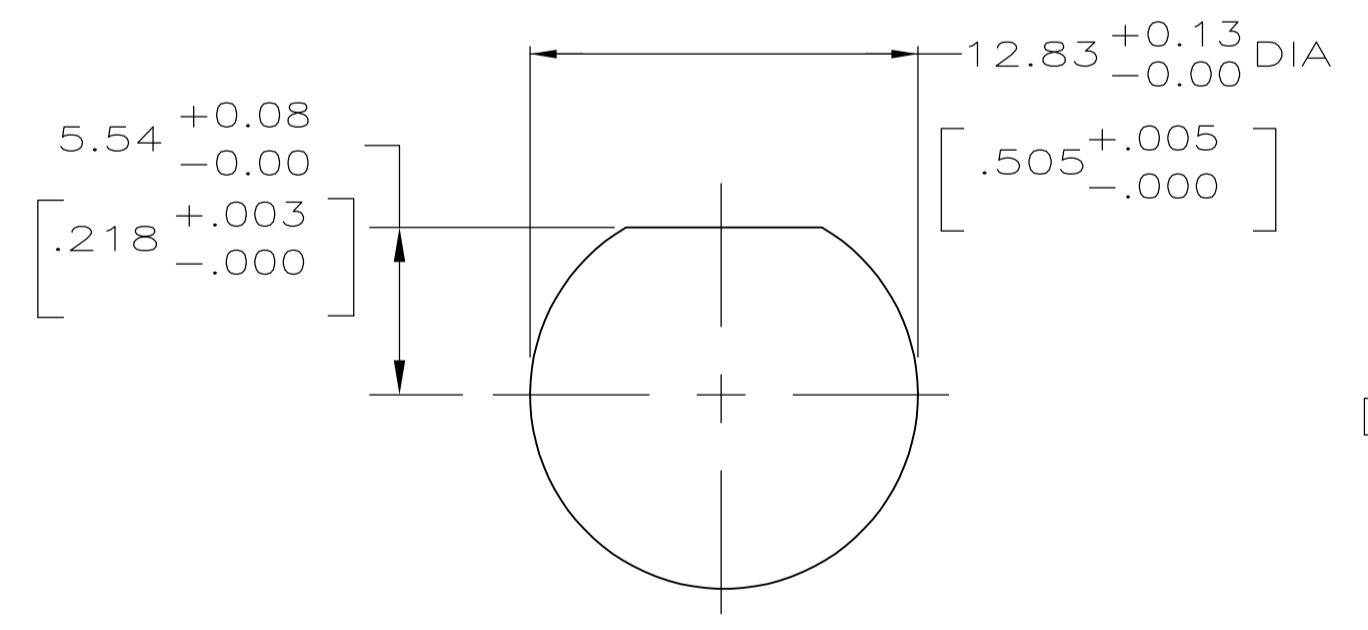
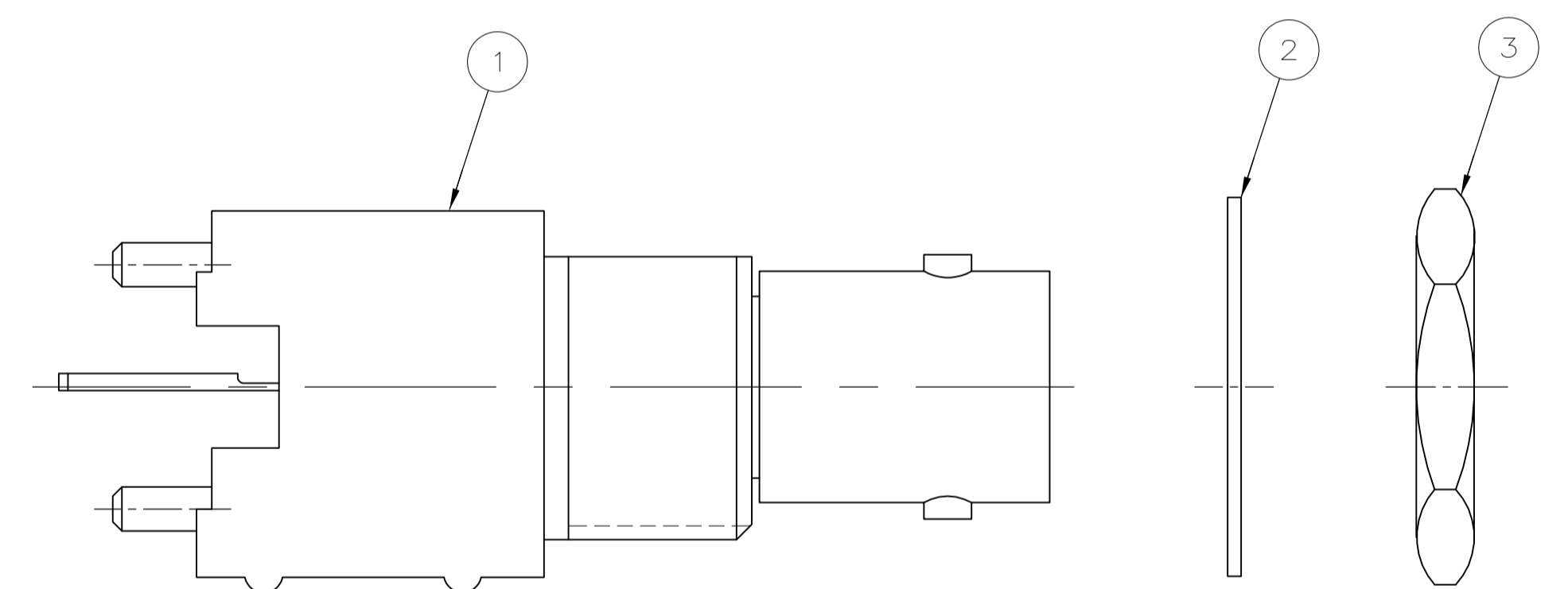
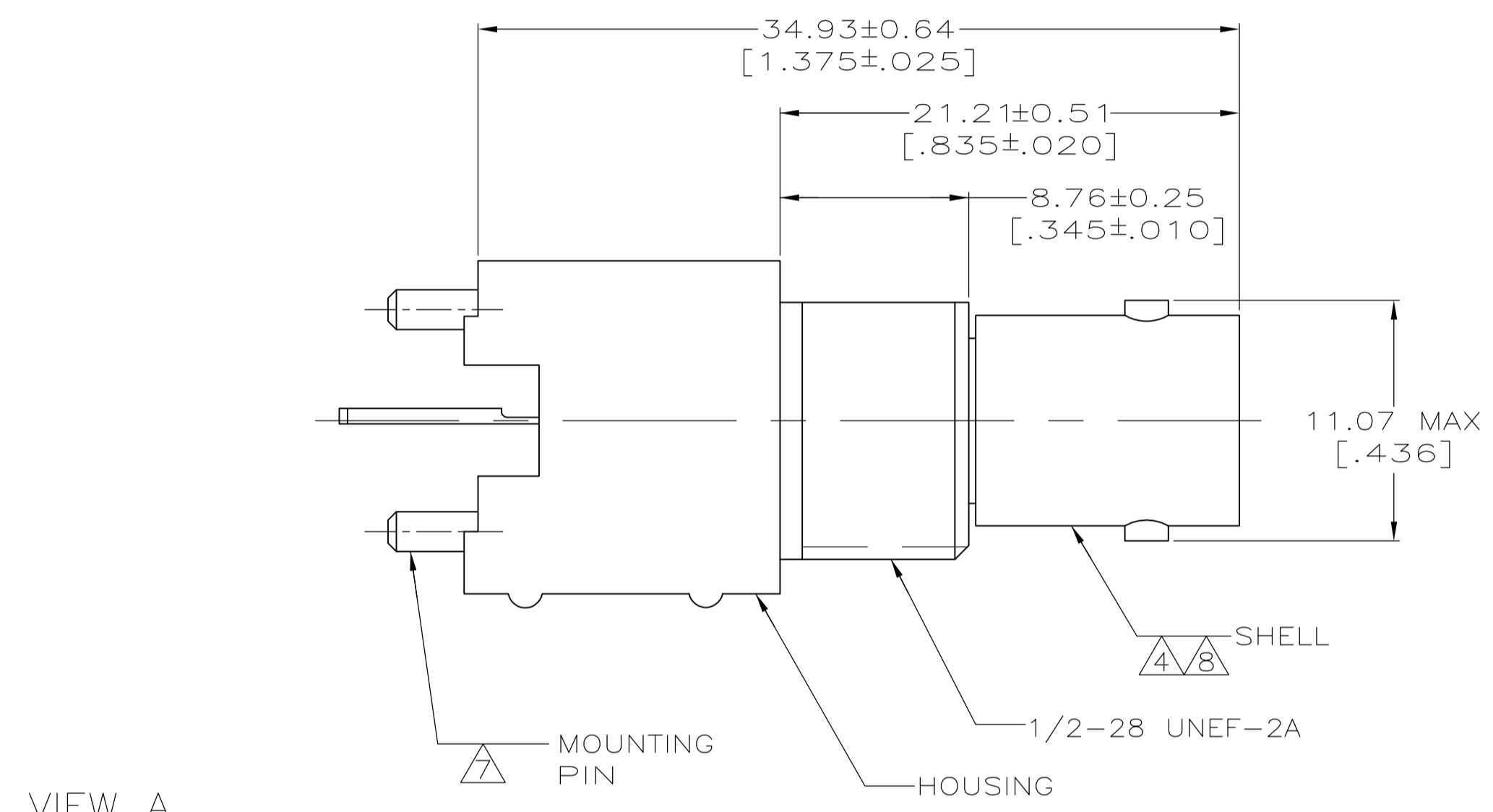
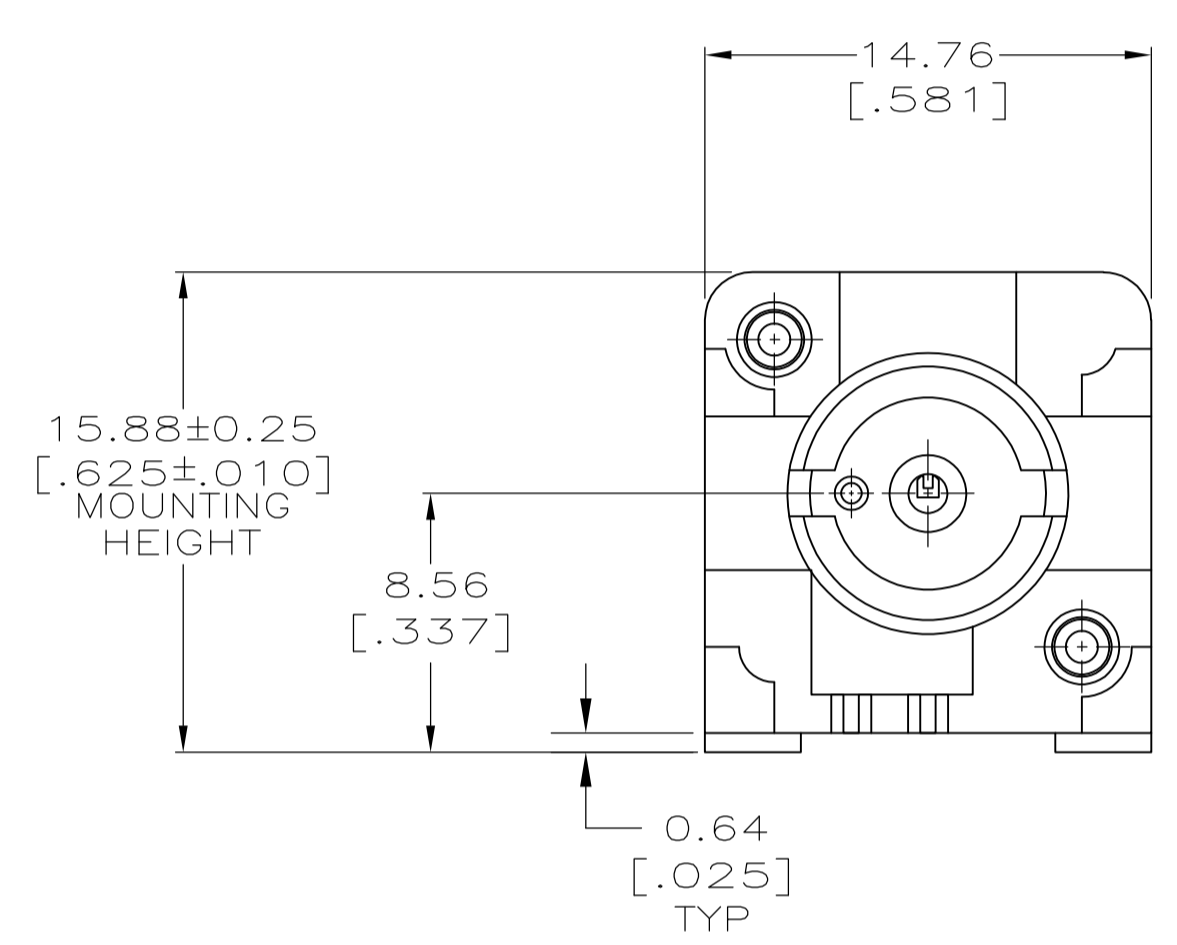
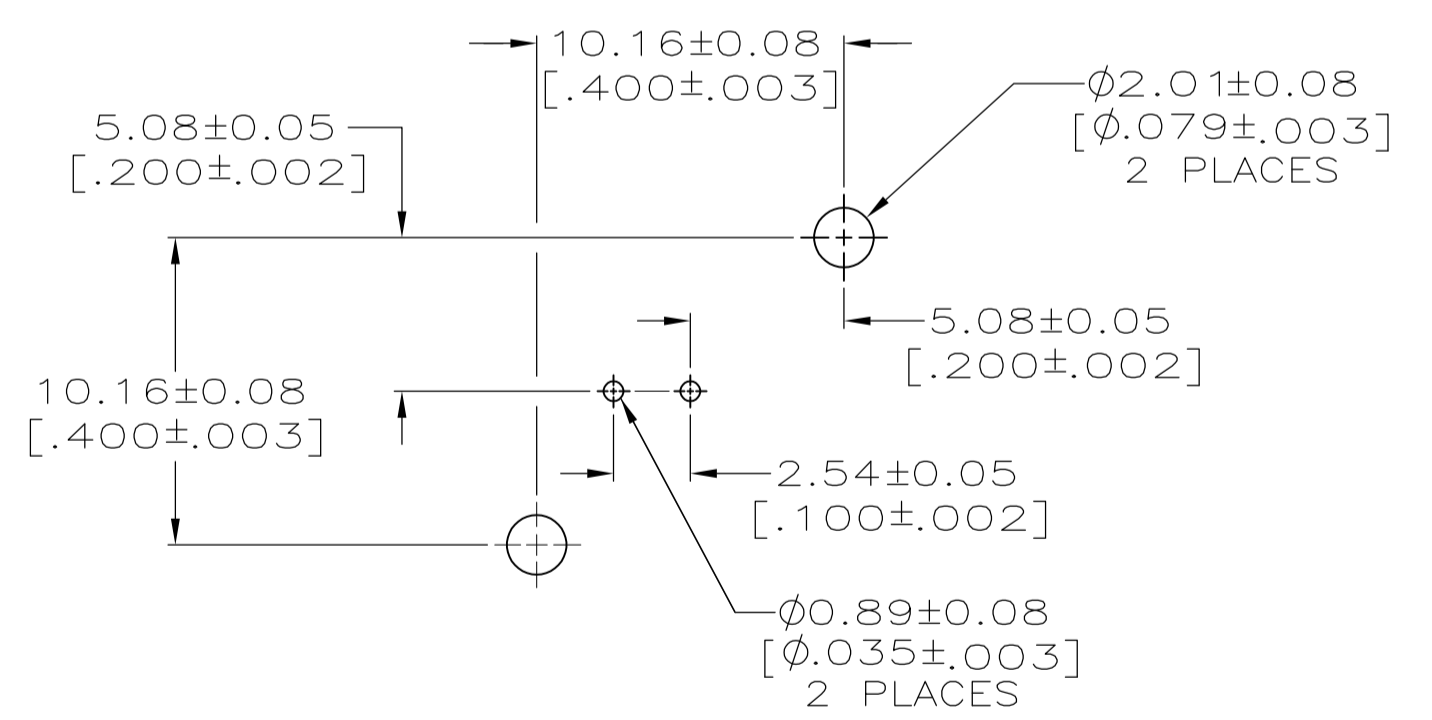


- 1 POLYESTER PBT PER MIL-M-24519, TYPE GPT-15F, UL94V-O RATED, COLOR: NATURAL
- 2 POLYESTER PBT PER MIL-M-24519, TYPE GPT-15F, UL94V-O RATED, COLOR: BLACK
- 3 POLYMETHYLPENTENE, GENERAL PURPOSE.
- 4 ZINC PER QQ-Z-363.
- 5 PHOSPHOR BRONZE PER QQ-B-750.
- 6 BRASS PER ASTM-B-453.
- 7 BRASS PER ASTM-B-16.
- 8 NICKEL PLATE PER QQ-N-290, 3.81 μ m [.000150] MINIMUM THICK.
- 9 TIN PLATE PER ASTM-B-545, 3.81 μ m [.000150] MINIMUM THICK.
- 10 GOLD PLATE PER MIL-C-45204, 0.76 μ m [.000030] MINIMUM THICK.
- 11. SEE INSTRUCTION SHEET 408-2769.



RECOMMENDED PANEL CUTOUT



PCB CONFIGURATION

VIEW B

-	6	5	4	3	2	1							
3.48 [.137]	6	6	6	6	6	6	B	1-329631-2	1-329632-2	5227222-6	5227222-9		
3.48 [.137]	6	6	6	6	6	6	A	-	-	-	5227222-6		
3.48 [.137]	6	6	6	6	6	6	A	-	-	-	5227222-3		
3.48 [.137]	6	6	6	6	6	6	A	-	-	-	5227222-2		
3.48 [.137]	6	6	6	6	6	6	A	-	-	-	5227222-1		
C	MOUNTING PIN PLATING	GROUND POST PLATING	CONTACT POST PLATING	CONTACT PLATING	HOUSING MATERIAL	VIEW	3	JAM NUT QTY=1	2	LOCKWASHER QTY=1	1	ASSEMBLY QTY=1	PART NUMBER

THIS DRAWING IS A CONTROLLED DOCUMENT.

DIMENSIONS: mm (INCHES)	TOLERANCES UNLESS OTHERWISE SPECIFIED:	DIN J. ALCORTA - 26APR2005	DOCK 5 - 26APR2005	 TE Connectivity
0 PLC ± -	1 PLC ± -	J. HAVENER	DOCK 5 - 26APR2005	
2 PLC ± -	3 PLC ± 0.20 [.008]	J. LIPPERT	26APR2005	NAME
4 PLC ± -	ANGLES ± -			PRODUCT SPEC
MATERIAL	FINISH			108-12078
				APPLICATION SPEC
				SIZE
				CAGE CODE
				DRAWING NO
				RESTRICTED TO
				WEIGHT
				A1 00779
				5227222
				CUSTOMER DRAWING
				SCALE 4:1
				SHEET 1 of 1
				REV B1