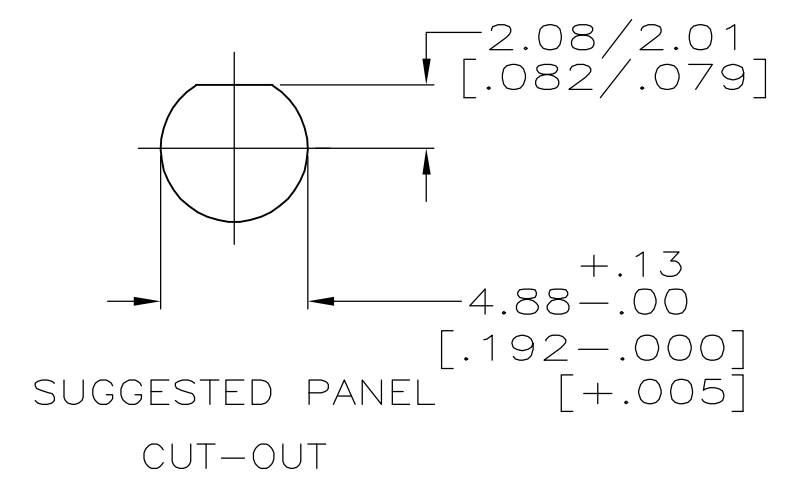
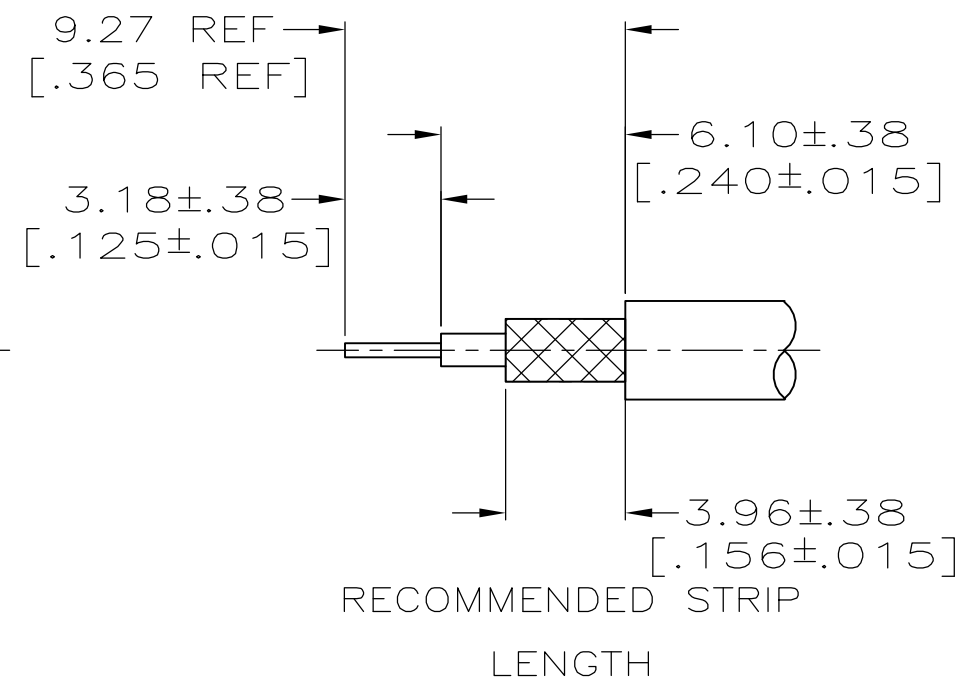
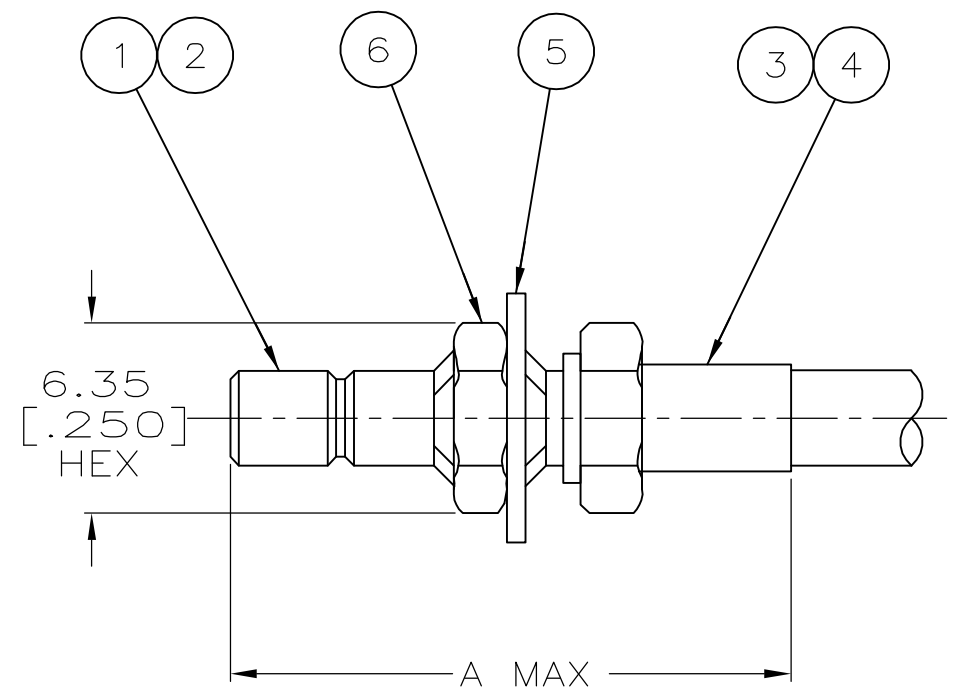


THIS DRAWING IS UNPUBLISHED. RELEASED FOR PUBLICATION
 © COPYRIGHT BY TYCO ELECTRONICS CORPORATION. ALL RIGHTS RESERVED.

LOC	DIST	REVISIONS					
AJ	16	P	LTR	DESCRIPTION	DATE	DWN	APVD
		0		REV PER EC-0S14-0496-04	03FEB2005	AF	JGH

- ① FOR USE WITH BRAID CRIMP HAND TOOL 220190-1.
- ② FOR USE WITH CONTACT CRIMP MIL-C-22520/5-01 (DANIELS AFM 8) TOOL W/ DANIELS POSITIONER K727.
- ③ USE WITH BRAID CRIMP HAND TOOL MIL-C-22520/5-01.
- 4. SEE INSTRUCTION SHEET 408-2987-3.



RG-174/U, 188/U & 316/U	23.36	[.920]	Y444	POSN 2	58046-1 (AREA A)	414969-2	415001-2	9-228202-0	228225-2	228222-1	5228217-1
FOR USE WITH CABLE	A		DANIELS DIE SET ③	DIE SET ②	AMP DIE SET ①	⑥ JAMNUT QTY=1	⑤ LOCKWASHER QTY=1	③ FERRULE QTY=1	② CONTACT QTY=1	① JACK ASSEMBLY QTY=1	PART NUMBER

THIS DRAWING IS A CONTROLLED DOCUMENT.

DIMENSIONS: INCHES	TOLERANCES UNLESS OTHERWISE SPECIFIED:	DWN A. FERNANDEZ-DOCK5 03FEB2005	 Tyco Electronics Corporation Harrisburg, PA 17105-3608											
<table border="1"> <tr><td>0 PLC</td><td>± -</td></tr> <tr><td>1 PLC</td><td>± -</td></tr> <tr><td>2 PLC</td><td>± -</td></tr> <tr><td>3 PLC</td><td>± -</td></tr> <tr><td>4 PLC</td><td>± -</td></tr> <tr><td>ANGLES</td><td>± -</td></tr> </table>	0 PLC	± -		1 PLC	± -	2 PLC	± -	3 PLC	± -	4 PLC	± -	ANGLES	± -	FINISH
0 PLC	± -													
1 PLC	± -													
2 PLC	± -													
3 PLC	± -													
4 PLC	± -													
ANGLES	± -													
MATERIAL		APVD J. HAVENER 03FEB2005	NAME JACK, BULKHEAD, SERIES SMB											
		PRODUCT SPEC												
		APPLICATION SPEC												
		WEIGHT	SIZE A3											
			CAGE CODE 00779											
			DRAWING NO C-5228217											
			RESTRICTED TO											
CUSTOMER DRAWING		SCALE 4:1	SHEET 1 OF 1											
			REV 0											