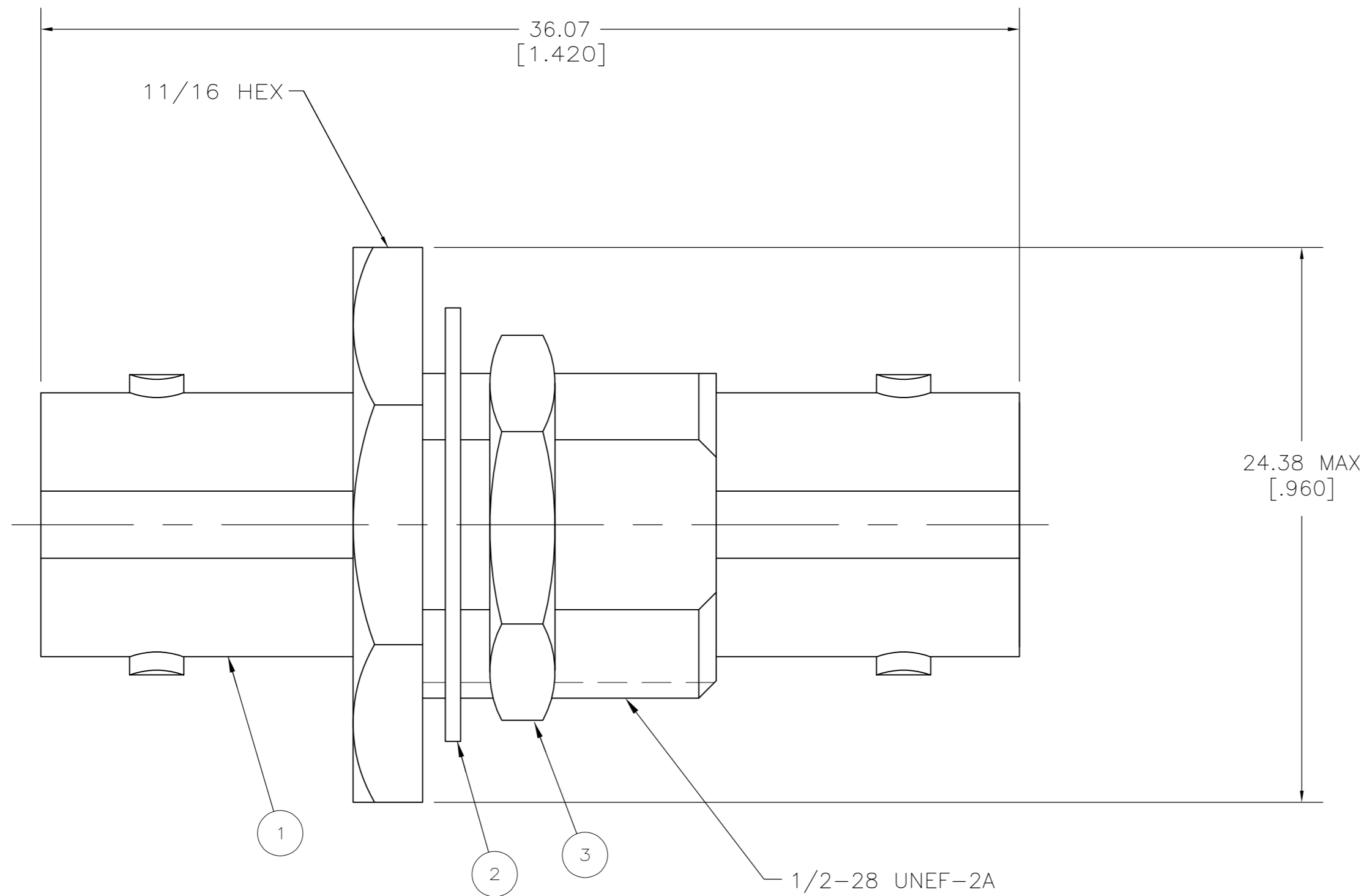
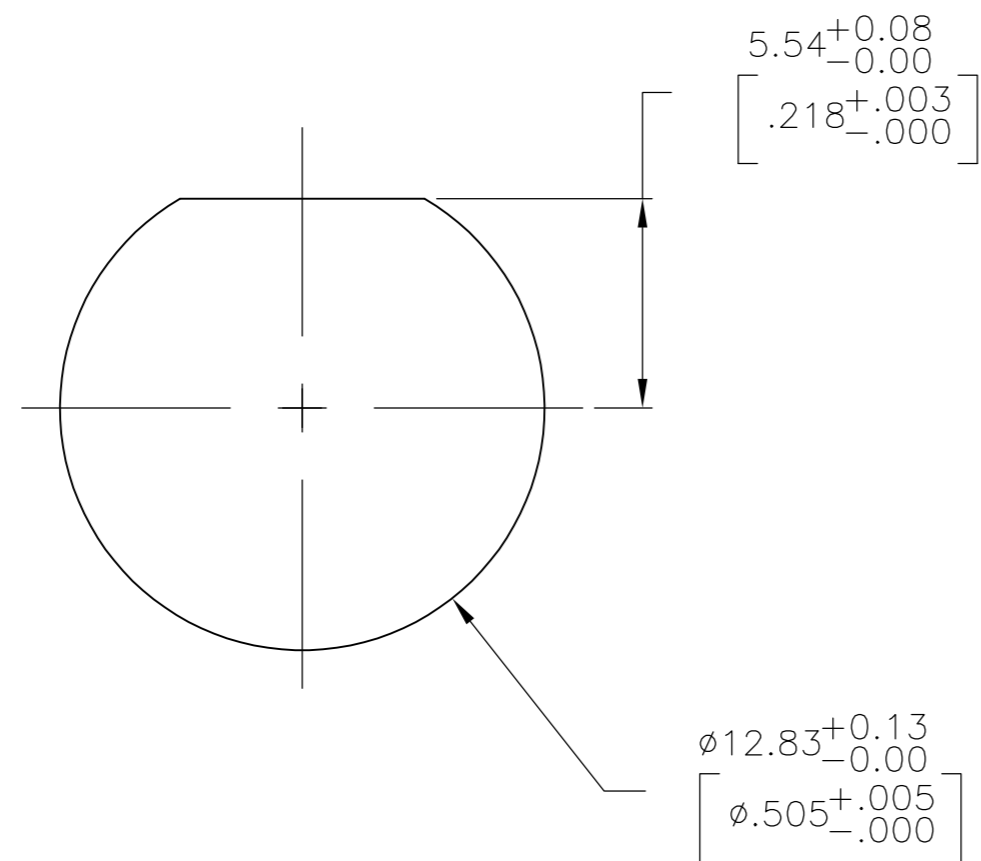


THIS DRAWING IS UNPUBLISHED. RELEASED FOR PUBLICATION
 © COPYRIGHT - By - ALL RIGHTS RESERVED.

| LOC | DIST | REVISIONS | | | |
|-----|------|-------------|---------------------------|---------|--------|
| P | LTR | DESCRIPTION | DATE | DWN | APVD |
| AJ | 16 | A1 | REVISED PER ECO-11-005030 | 11MAR11 | RK HMR |



- PARTS PACKAGED UNASSEMBLED.
- PANEL THICKNESS = 6.35 [.250] MAX.



| | | | |
|--------------------|------------------------|----------------------------------|-------------|
| 1-329631-2 | 1-329632-2 | 228255-2 | 5228226-3 |
| 1-329631-2 | 1-329632-2 | 9-228255-0 | 5228226-1 |
| ③ JAM NUT QTY=1 | ② LOCK WASHER QTY=1 | ① JACK ADAPTER ASSEMBLY QTY=1 | PART NUMBER |

| DIMENSIONS: | | TOLERANCES UNLESS OTHERWISE SPECIFIED: | | DWN | | NAME | |
|------------------|--------|--|-----|--------------------|-----------|---|---------------|
| mm [INCHES] | | 0 PLC | ± - | A. FERNANDEZ-DOCK5 | 18APR2005 | TE Connectivity | |
| | | 1 PLC | ± - | J. HAVENER | 18APR2005 | JACK TO JACK ADAPTER, BULKHEAD MOUNT, BNC | |
| | | 2 PLC | ± - | J. LIPPERT | 18APR2005 | SIZE | CAGE CODE |
| | | 3 PLC | ± - | | | A2 | 00779 |
| | | 4 PLC | ± - | | | SCALE | DRAWING NO |
| | | ANGLES | ± - | | | 5:1 | C=5228226 |
| MATERIAL | FINISH | | | | | SHEET | RESTRICTED TO |
| - | - | | | | | 1 of 1 | - |
| CUSTOMER DRAWING | | | | | | REV | A1 |