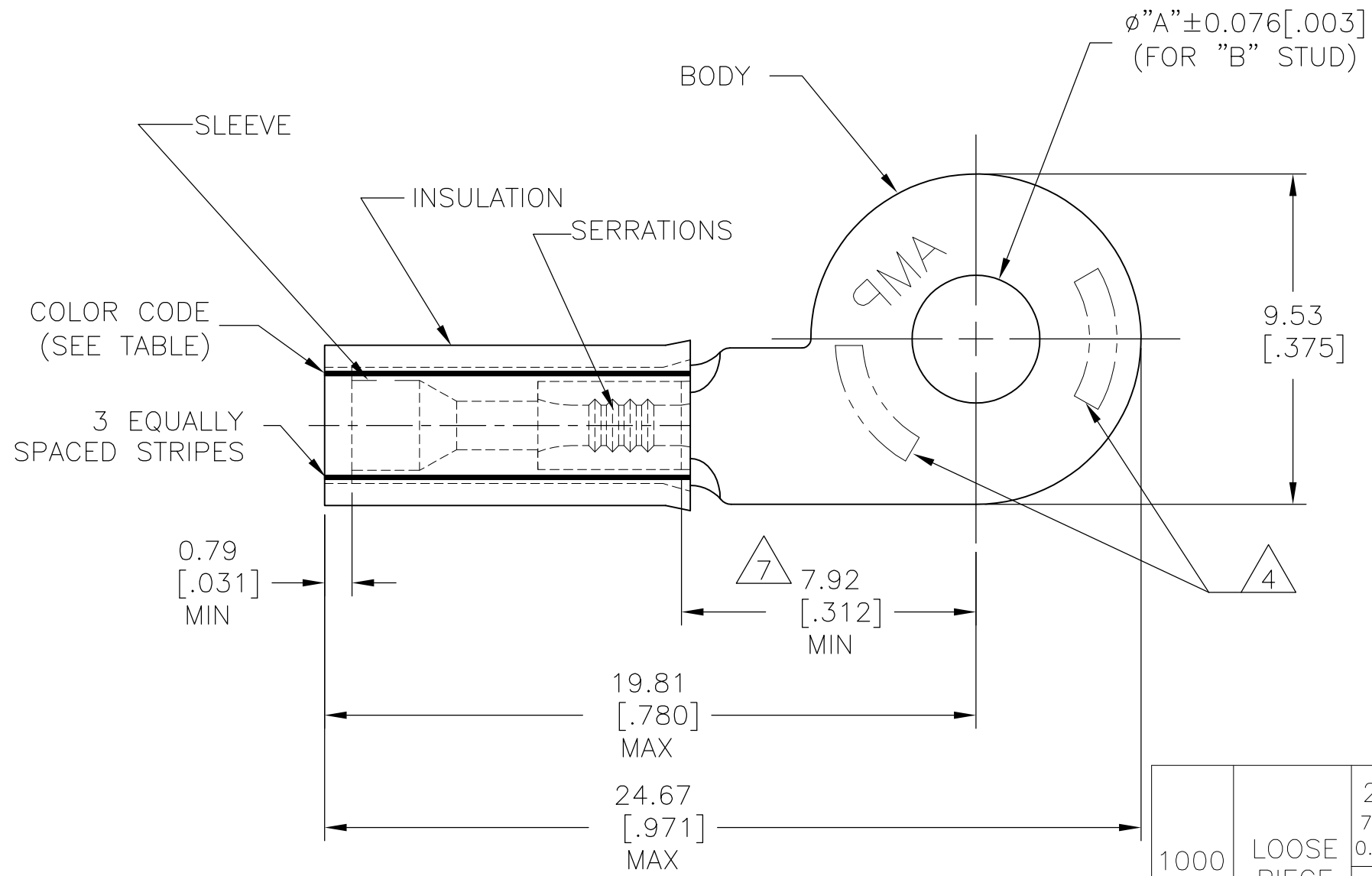


THIS DRAWING IS UNPUBLISHED. RELEASED FOR PUBLICATION  
 © COPYRIGHT - By - ALL RIGHTS RESERVED.

REVISIONS					
P	LTR	DESCRIPTION	DATE	DWN	APVD
G1		REVISED PER ECO-16-014995	19OCT2016	RS	DR



- 1 NOTE DELETED.
- 2 TONGUE MATERIAL THICKNESS:  
0.79±0.05[.031±.002].
- 3 FOR C/D WIRE INS DIA.
- △4 STAMPING (SEE TABLE).
- △5 MATERIAL & FINISH  
BODY & SLEEVE:  
COPPER PER ASTM B152  
TIN PL. PER ASTM B545.
- △6 INSULATION: NYLON ASTM D4066  
COLOR : RED.
- △7 APPLIES FROM EDGE OF METAL WIRE BARREL  
TO CENTER OF STUD HOLE.

1000	LOOSE PIECE	22AWG 754 CMA 0.38 mm <sup>2</sup>	GREEN	3.68 [.145]	M3.5 [#6]	2.79 [.110] 0.96 [.038]	22	1/2	52884-4
		20AWG 1186 CMA 0.60 mm <sup>2</sup>	RED	5.00 [.197] 3.68 [.145]	#10 M3.5 [#6]	2.79 [.110] 1.17 [.046]	20	1	52884-3 52884-2
QTY	PACKAGE TYPE	WIRE SIZE	COLOR CODE	"A"	"B"	'C'	'D'	WIRE STAMPING	SIZE PART NO

<b>CUSTOMER SERVICE SYSTEMS</b>		MAX RECOMMENDED OPERATING TEMPERATURE: 105°C [221°F] MAX	THIS DRAWING IS A CONTROLLED DOCUMENT.		DWN jr_ruth 08JUN09	<b>STE</b> TE Connectivity			
FOR ADDITIONAL PRODUCT INFORMATION OR COPIES OF DRAWINGS AND TECHNICAL DOCUMENTS	PRODUCT INFORMATION CENTER 1-800-522-6752	VOLTAGE RATING: 300 V MAX	DIMENSIONS: mm [INCHES]	TOLERANCES UNLESS OTHERWISE SPECIFIED:	CHK TOM MICHIELUTTI 08JUN09				
FOR APPLICATION TOOLING INFORMATION	TOOLING ASSISTANCE CENTER 1-800-722-1111	CIRCULAR MIL AREA: SEE TABLE		0 PLC ± - 1 PLC ± - 2 PLC ± - 3 PLC ± 0.20 [.008] 4 PLC ± - ANGLES ± 5°	APVD TOM MICHIELUTTI 08JUN09	PRODUCT SPEC			
FOR ORDER ENTRY	1-800-526-5142		MATERIAL △5	FINISH △6	APPLICATION SPEC	SIZE A3	CAGE CODE 00779	DRAWING NO C-52284	RESTRICTED TO
					WEIGHT	SCALE NTS		SHEET 1 OF 1	REV G1