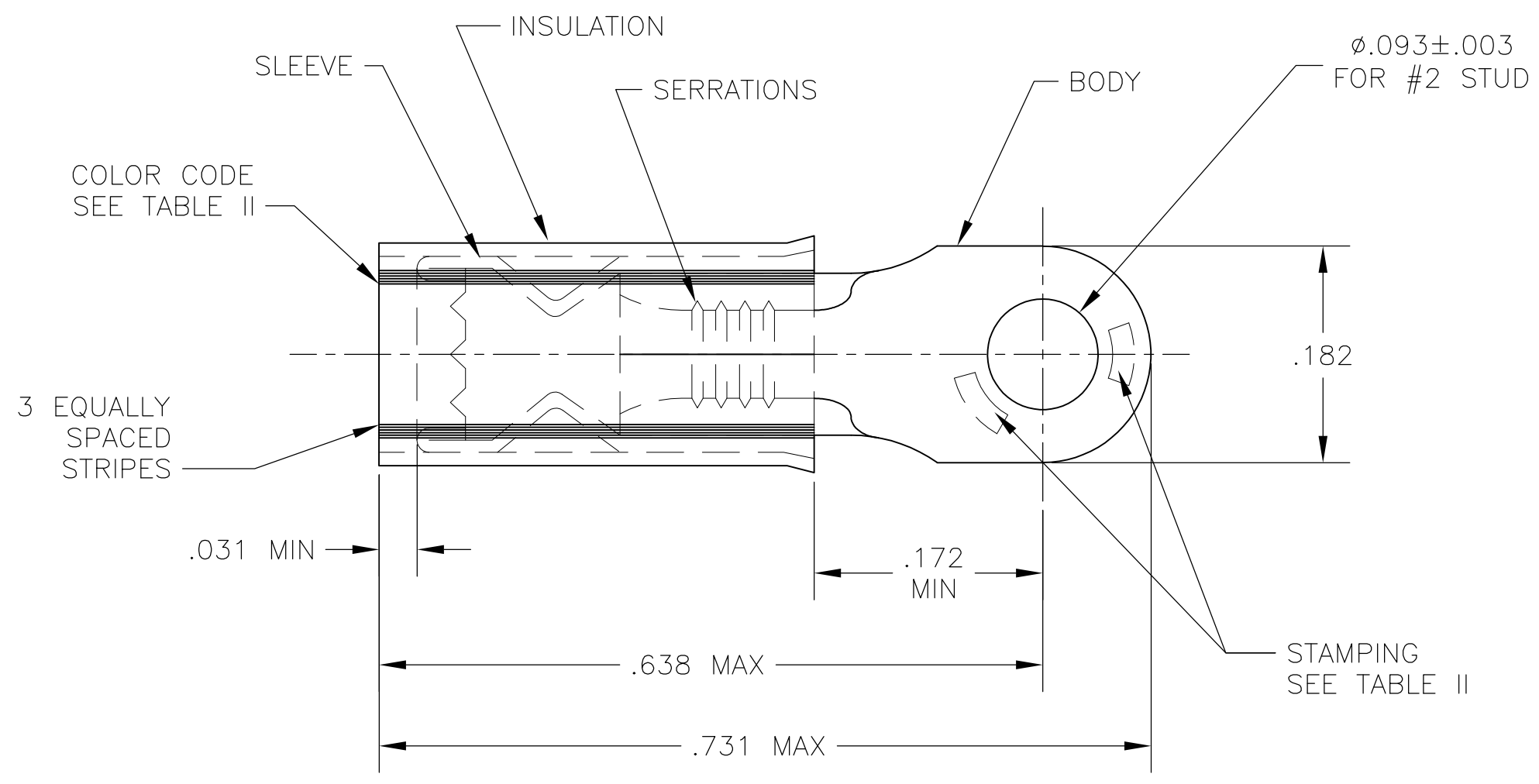


THIS DRAWING IS UNPUBLISHED. RELEASED FOR PUBLICATION
 © COPYRIGHT - By - ALL RIGHTS RESERVED.

LOC	DIST	REVISIONS					
G	14	P	LTR	DESCRIPTION	DATE	DWN	APVD
		D		REVISED PER ECO-14-015277	14FEB2015	NK	DR



- 1 TONGUE MATERIAL THK IS .031±.002.
- 2 FOR WIRE INS. DIA (SEE TABLE II).


TABLE I

1	WIRE TERMINAL INSULATION RESTRICTING	SEE TABLE II	BODY & SLEEVE: COPPER PER ASTM PER B152 TIN PLATE PER ASTM B545 INSULATION: NYLON (MIL-M-20693) TYPE I, COLOR - RED
QTY	DESCRIPTION	PART NO	MATERIAL & FINISH

TABLE II

52307-1	20	20	1	.046-.110	RED
52307	22	22	1/2	.038-.110	GREEN
PART NO	WIRE SIZE	WIRE STAMPING	SHIP	INS. DIA.	COLOR CODE

THIS DRAWING IS A CONTROLLED DOCUMENT.

DWN	jr_ruth	21FEB07	 TE Connectivity
CHK	T MICHIELUTTI	21FEB07	
APVD	T MICHIELUTTI	21FEB07	
PRODUCT SPEC	NAME		
APPLICATION SPEC	WIRE TERMINAL, P.I.D.G., RING TONGUE & INSULATION RESTRICTION WIRE SIZE 22-20		RESTRICTED TO
WEIGHT	-	A300779	C-52307
CUSTOMER DRAWING			SCALE 8:1 SHEET 1 OF 1 REV D