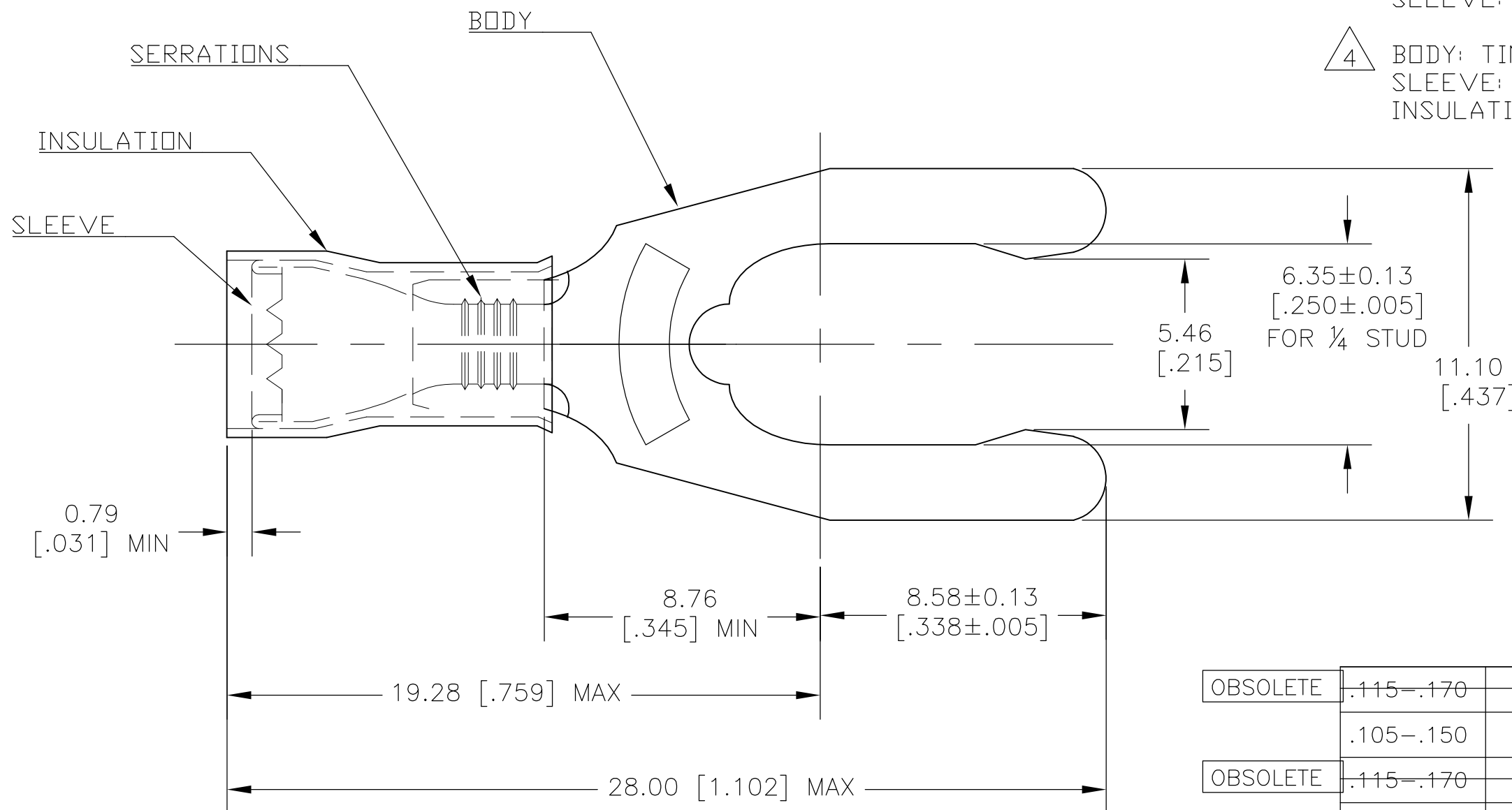


THIS DRAWING IS UNPUBLISHED. RELEASED FOR PUBLICATION
© COPYRIGHT BY TYCO ELECTRONICS CORPORATION. ALL RIGHTS RESERVED.

LOC	DIST	REVISIONS					
G	14	P	LTR	DESCRIPTION	DATE	DWN	APVD
			K1	REDRAWN PER ECR 10-010105	28JUN10	JR	TM

- 1 WIRE INSULATION DIA, SEE TABLE "A"
- 2 TONGUE MATL THK, 0.789±0.05 [.031±.002].
- 3 BODY: PHOS BRONZE PER ASTM B103
INSULATION: NYLON
SLEEVE: COPPER PER ASTM B152
- 4 BODY: TIN PLATE PER ASTM B545
SLEEVE: TIN PLATE PER ASTM B545
INSULATION: COLOR-BLUE



OBSOLETE	.115-.170	---	ON TAPE	52423-3
	.105-.150	--	ON TAPE	52423-2
OBSOLETE	.115-.170	---	LOOSE PIECE	52423-1
	.105-.150	--	LOOSE PIECE	52423
	DIM "A"	QTY	PACKAGE TYPE	PART NO

THIS DRAWING IS A CONTROLLED DOCUMENT.		DWN jr_ruth 28JUN10	Tyco Electronics Corporation Harrisburg, PA 17105-3608	
DIMENSIONS: MM [INCHES]		CHK TOM MICHIELUTTI 28JUN10	NAME TERMINAL, PIDG, SPRING SPADE, WIRE SIZE: 16-14	
TOLERANCES UNLESS OTHERWISE SPECIFIED:		APVD TOM MICHIELUTTI 28JUN10	PRODUCT SPEC ---	
<ul style="list-style-type: none"> 0 PLC ± - 1 PLC ± - 2 PLC ± 0.2 [.008] 3 PLC ± - 4 PLC ± - ANGLES ± 5° 		APPLICATION SPEC ---	SIZE A3	CAGE CODE 00779
MATERIAL	FINISH	WEIGHT -	DRAWING NO G-52423	RESTRICTED TO -
	3		SCALE 6:1	SHEET 1 OF 1
CUSTOMER DRAWING			REV K1	