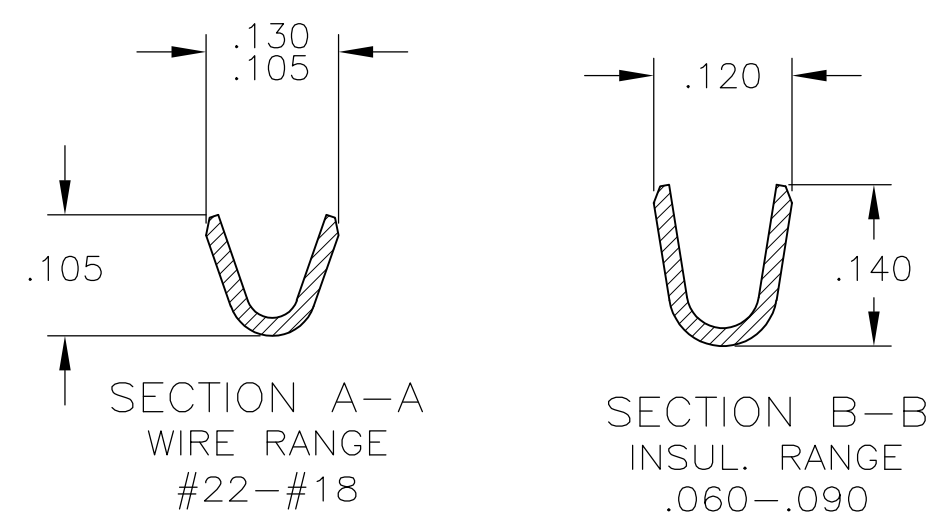
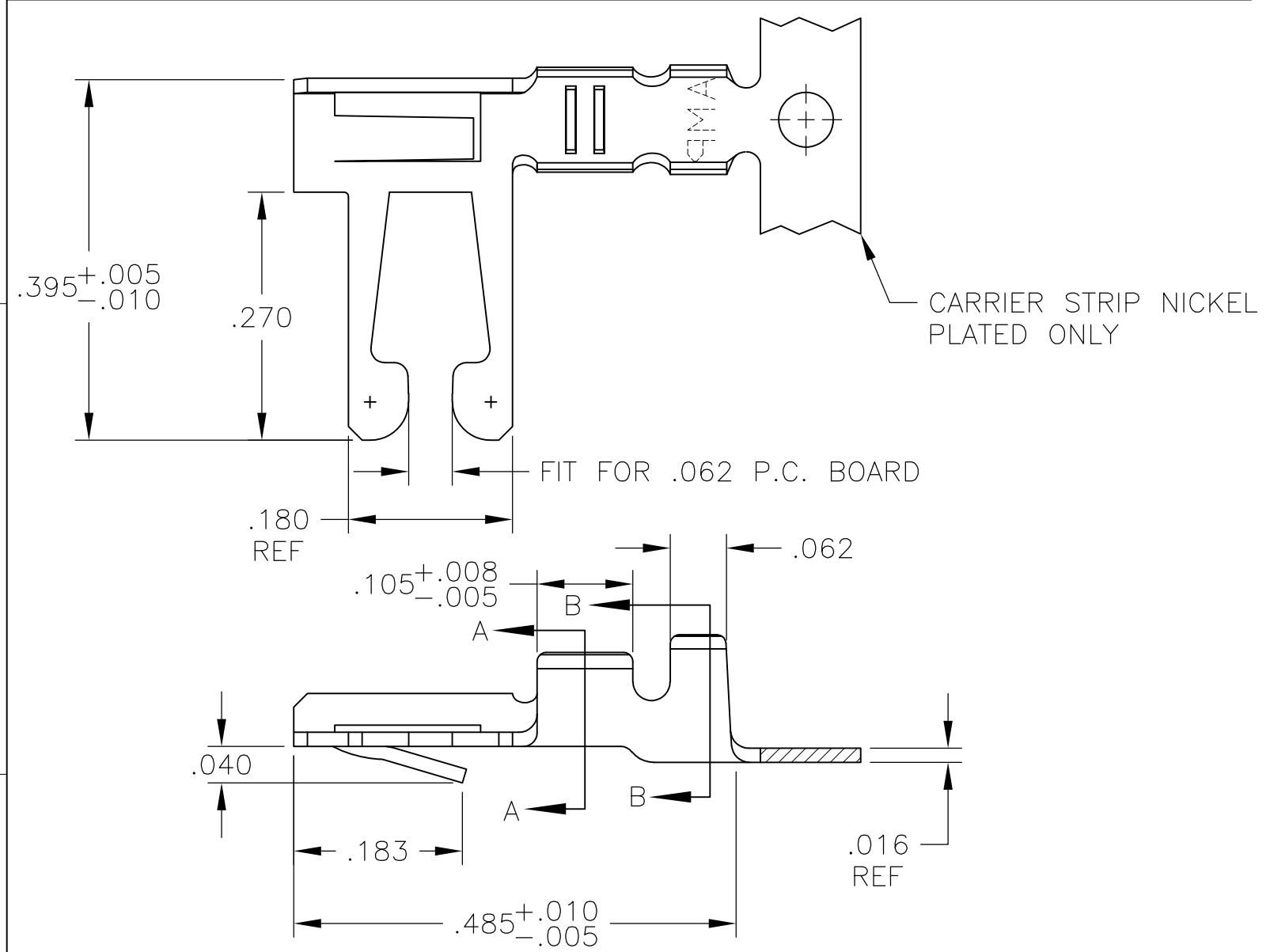


THIS DRAWING IS UNPUBLISHED. RELEASED FOR PUBLICATION  
 © COPYRIGHT BY TYCO ELECTRONICS CORPORATION. ALL RIGHTS RESERVED.

LOC	DIST	REVISIONS			
P	LTR	DESCRIPTION	DATE	DWN	APVD
FT	00	L	ECO-05-10249	20MAR06	MB MM
		L1	REV PER ECO-09-021510	09SEP09	KK AEG



- REFER TO CUSTOMER 582370 SERIES AND CUSTOMER 582380 SERIES FOR HOUSING AND P.C. BOARD REQUIREMENTS
- .000015 GOLD OVER .000050 NICKEL IN CONTACT AREA. REMAINDER OF CONTACT .000050 NICKEL.
- .000030 GOLD OVER .000050 NICKEL IN CONTACT AREA. .000050 NICKEL ON REMAINDER OF CONTACT.
- L-R FEED FOR MINI-APPL.
- OBSOLETE PARTS: OBSOLETE CIS STREAMLINING PER D.RENAUD/D.SINISI

FINISH	PART NUMBER
MATTE TIN PLATE	4 530002-8
OBSOLETE	2 4 530002-7
OBSOLETE	3 4 530002-6
TIN PLATE	4 530002-5
OBSOLETE	2 530002-4
OBSOLETE	3 530002-3
OBSOLETE	TIN PLATE 530002-2

THIS DRAWING IS A CONTROLLED DOCUMENT.		DWN M.BINNER 03APR01	Tyco Electronics Corporation Harrisburg, PA 17105-3608	
DIMENSIONS: INCHES		CHK M.MILLER 05APR01	NAME CONTACT, 22-18 AWG, DUO-TYNE FLAG WITH TAPERED BEAMS	
TOLERANCES UNLESS OTHERWISE SPECIFIED:		APVD M.MILLER 05APR01	SIZE A3 CAGE CODE 00779 DRAWING NO C-530002 RESTRICTED TO -	
0 PLC ± -		PRODUCT SPEC -	SCALE 6:1 SHEET 1 OF 1 REV L1	
1 PLC ± -		APPLICATION SPEC -		
2 PLC ± -		WEIGHT -		
3 PLC ± .005		CUSTOMER DRAWING		
4 PLC ± .0005				
ANGLES ± -				
MATERIAL PHOS. BRONZE	FINISH SEE TABLE			