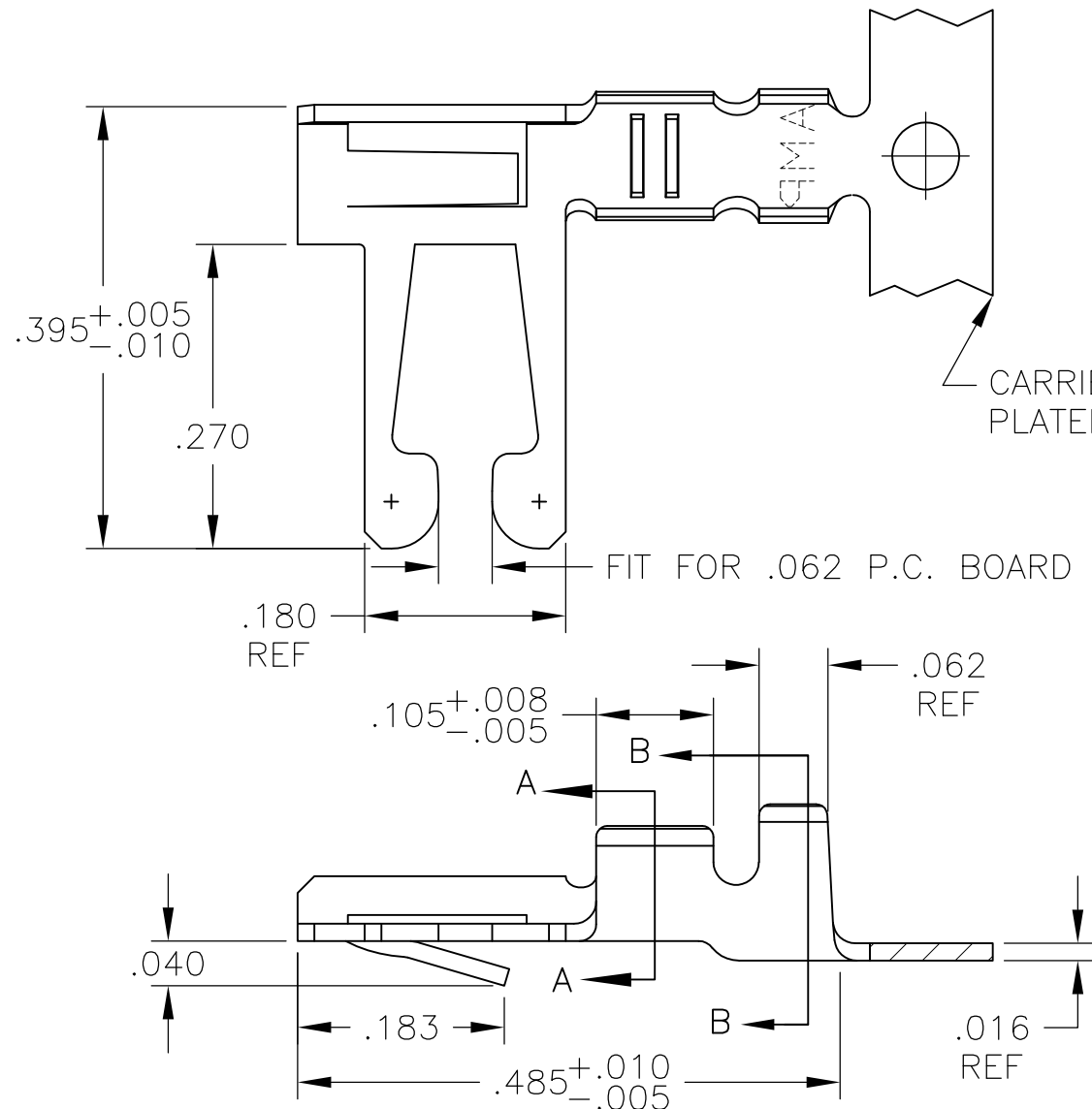


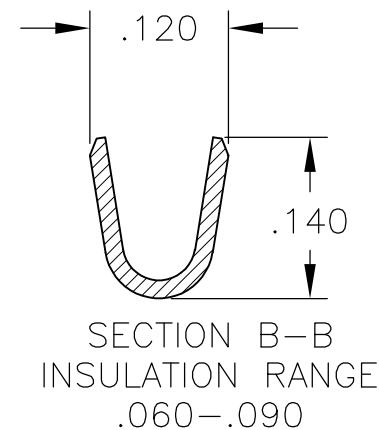
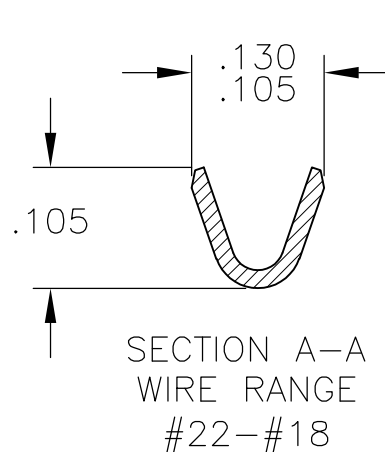
THIS DRAWING IS UNPUBLISHED. RELEASED FOR PUBLICATION

© COPYRIGHT BY TYCO ELECTRONICS CORPORATION. ALL RIGHTS RESERVED.

LOC	DIST	REVISIONS			
P	LTR	DESCRIPTION	DATE	DWN	APVD
AD	00				
	H	ECO 05 006319	22MAY06	BSV	MK
	H1	REV PER ECO-09-021510	10SEP09	KK	AEG



- REFER TO CUSTOMER 582370 SERIES AND CUSTOMER 582380 SERIES FOR HOUSING AND P.C. BOARD REQUIREMENTS
- .000015 GOLD OVER .000050 NICKEL IN CONTACT AREA. REMAINDER OF CONTACT .000050 NICKEL.
- .000030 GOLD OVER .000050 NICKEL IN CONTACT AREA. .000050 NICKEL ON REMAINDER OF CONTACT.
- L-R FEED FOR MINI-APPL.
- OBsolete PARTS: OBsolete CIS STREAMLINING PER D.RENAUD/D.SINISI



5	OBsolete	MATTE TIN	4	5-530006-5	
		MATTE TIN	4	5-530006-2	
			4	530006-7	
5	OBsolete		3	4	530006-6
		TIN PLATE	4	530006-5	
			2	530006-4	
			3	530006-3	
		TIN PLATE		530006-2	
		FINISH		PART NUMBER	

THIS DRAWING IS A CONTROLLED DOCUMENT.		DWN M.BINNER 29MAR01	Tyco Electronics Corporation Harrisburg, Pa 17105-3608		
DIMENSIONS: INCHES	TOLERANCES UNLESS OTHERWISE SPECIFIED:	CHK M.MILLER 05APR01	NAME CONTACT, 22-18 AWG, DUO-TYNE FLAG WITH TAPERED BEAMS		
	0 PLC ± - 1 PLC ± - 2 PLC ± - 3 PLC ± .005 4 PLC ± .0005 ANGLES ± -	APVD M.MILLER 05APR01	PRODUCT SPEC	SIZE	CAGE CODE
MATERIAL BERYLLIUM COPPER	FINISH SEE TABLE	PRODUCT SPEC	APPLICATION SPEC	DRAWING NO	RESTRICTED TO
		WEIGHT		A300779	C-530006
CUSTOMER DRAWING			SCALE	SHEET	REV
			6:1	1 OF 1	H1