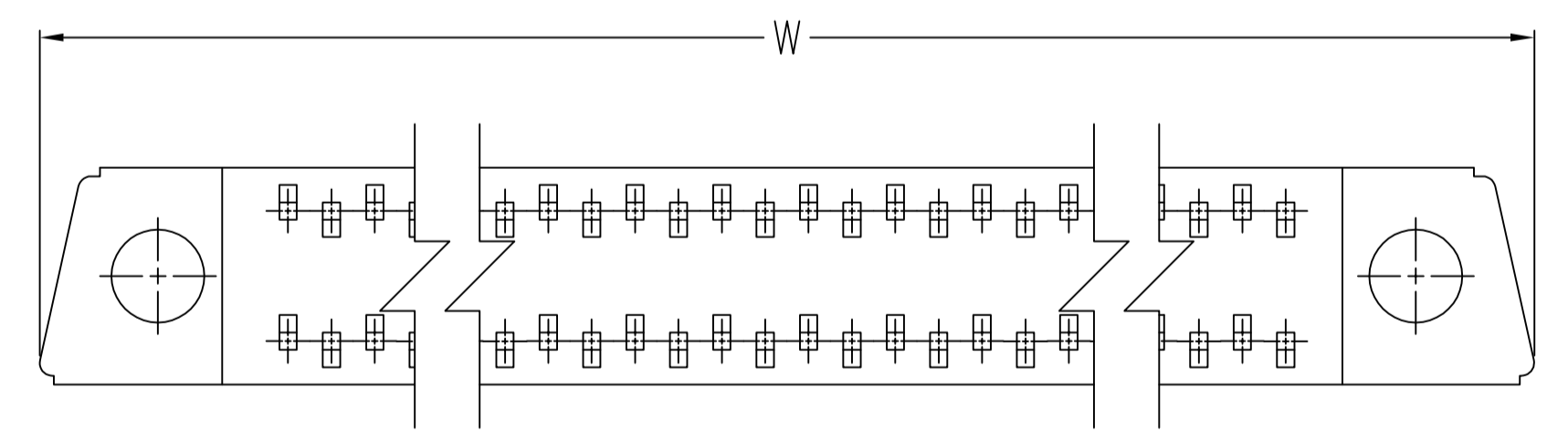
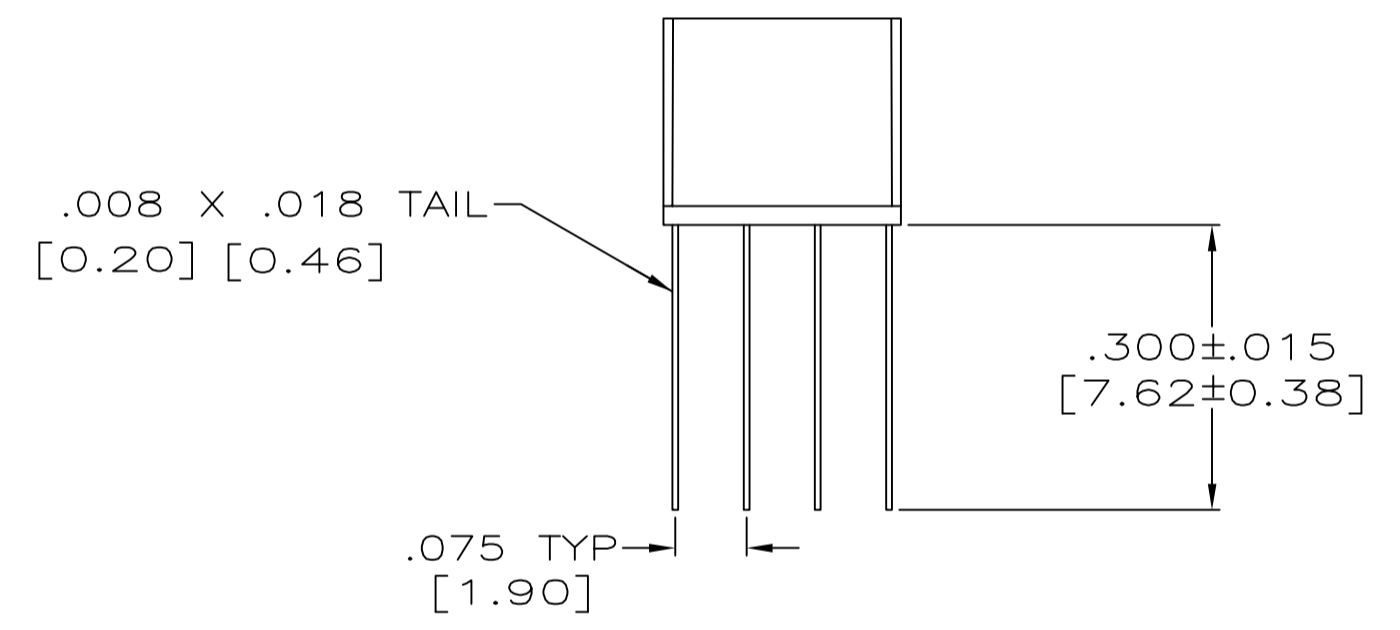
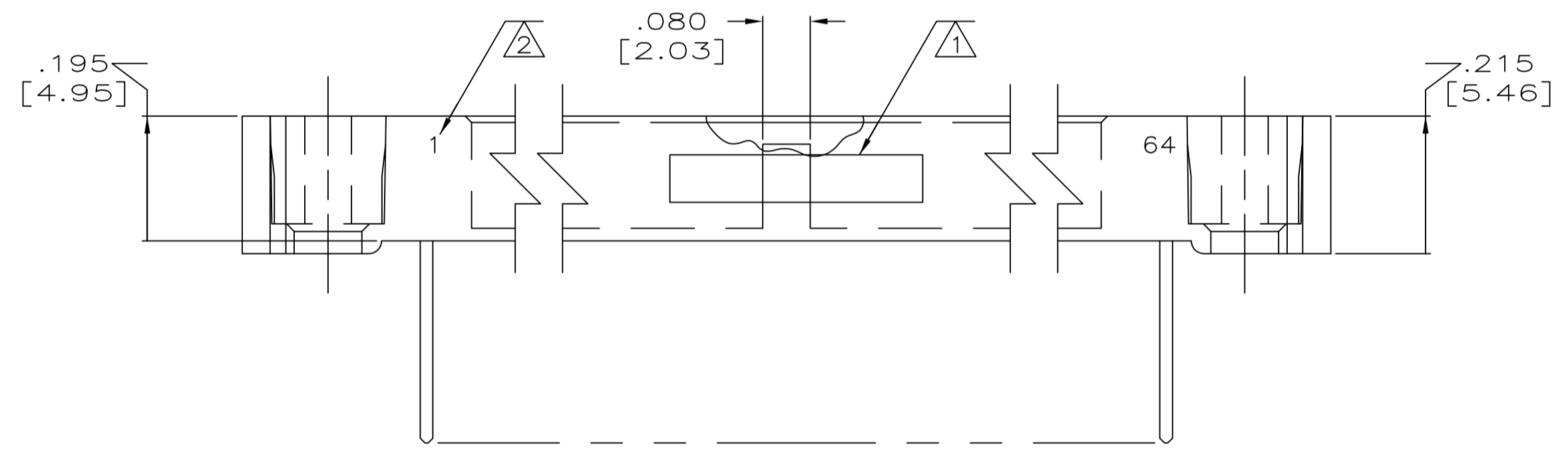
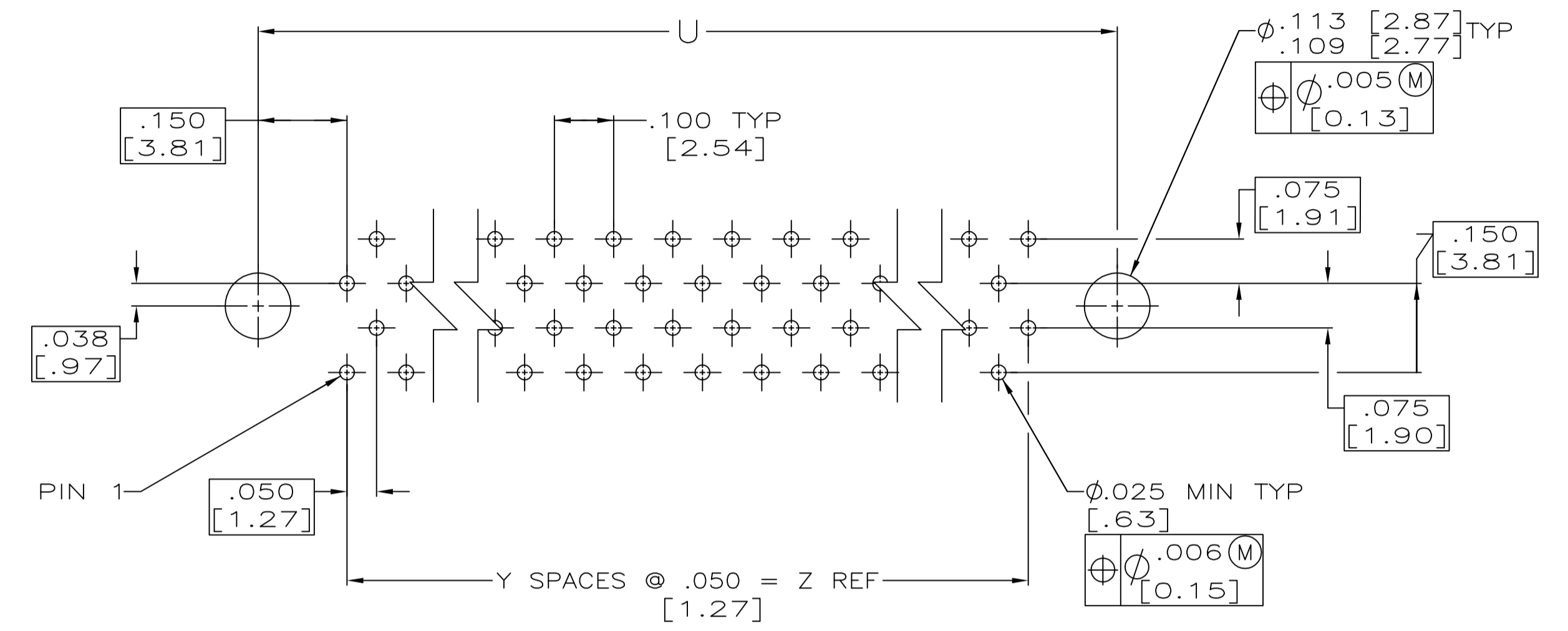
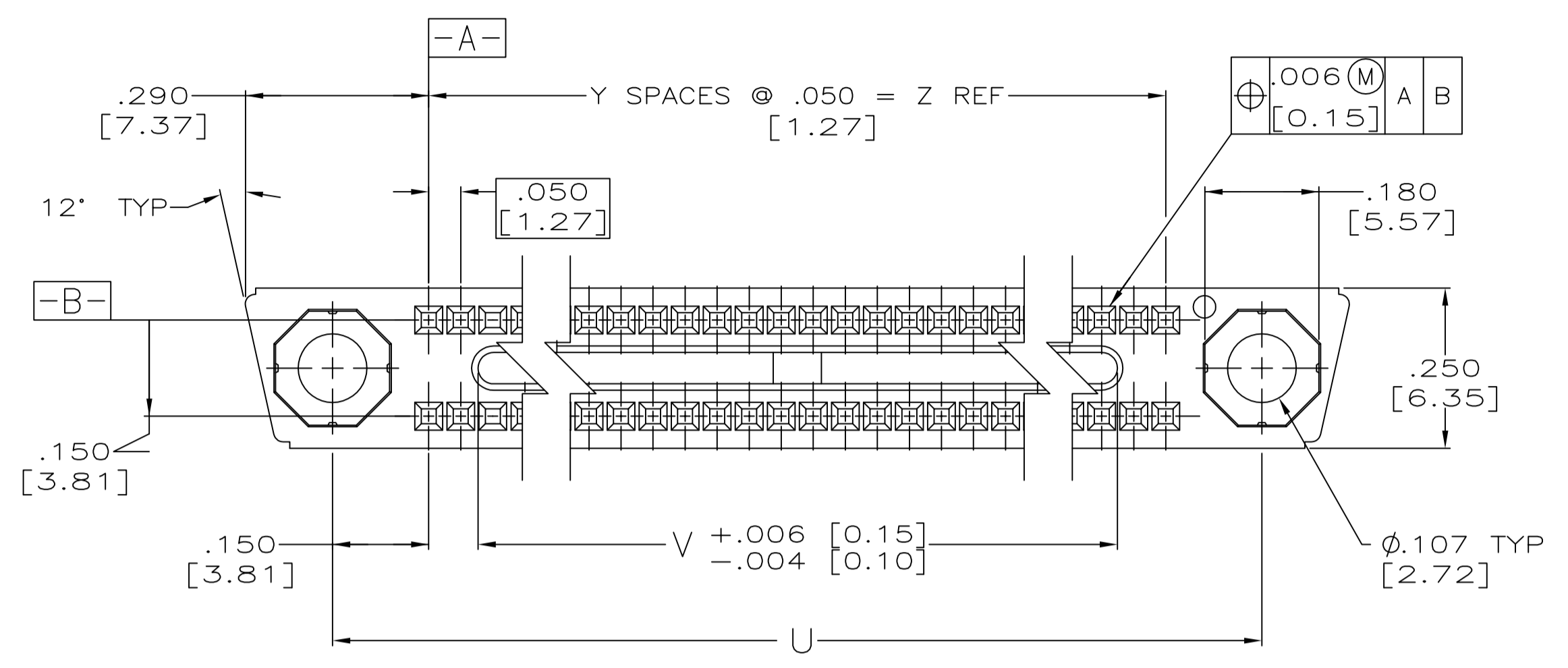


REVISIONS				
P	LTR	DESCRIPTION	DATE	OWN APVD
H		REVISED PER ECO-16-017894	27APR2017	PHM CT



- ① AMP, PART NUMBER, CUSTOMER PART NUMBER & DATE CODE MARKED THIS APPROXIMATE AREA.
- ② NUMBERS INDICATING END POSITIONS MARKED THIS SIDE ONLY.
- ③ MEETS ALL APPLICABLE REQUIREMENTS OF MIL-C-55302.
- ④ .000050 GOLD OVER NICKEL UNDERPLATE IN CONTACT AREA, TIN-LEAD OVER NICKEL ON CONTACT TAILS.
- ⑤ HOUSING MATERIAL: LIQUID CRYSTAL POLYMER PER MIL-M-24519, GLCP-30F; COLOR: GRAY.
- ⑥ PART NUMBERS 530746-2 TO 530746-6 ARE OBSOLETE.
- ⑦ CONTACT FINISH FOR -1 ONLY: .000050 OVER .000030 NICKEL ENTIRE CONTACT.

THIS DRAWING IS A CONTROLLED DOCUMENT. DIMENSIONS: INCHES TOLERANCES UNLESS OTHERWISE SPECIFIED: 0 PLC ± - 1 PLC ± - 2 PLC ± - 3 PLC ± .005 [0.13] 4 PLC ± - ANGLES ± 0°30' MATERIAL: 5 FINISH: 4, 7	1 - 64 CONTACT IDENT NUMBERS	3.150 [80.01] Z	63 Y	3.740 [95.00] W	3.000 [76.20] V	3.450 [87.63] U	128 NUMBER OF CONTACTS	530746-1 PART NUMBER
	THIS DRAWING IS A CONTROLLED DOCUMENT. DWN T. ALEXANDER 11-20-91 DWR D. GUTTER 1-3-92 APVD D. GUTTER 1-3-92 PRODUCT SPEC APPLICATION SPEC WEIGHT CUSTOMER DRAWING							NAME: RECEPTACLE HOUSING ASSEMBLY MINI-BOX SIZE: A1 CAGE CODE: 00779 DRAWING NO: C=530746 RESTRICTED TO: H SCALE: 5:1 SHEET: 1 OF 1 REV: H