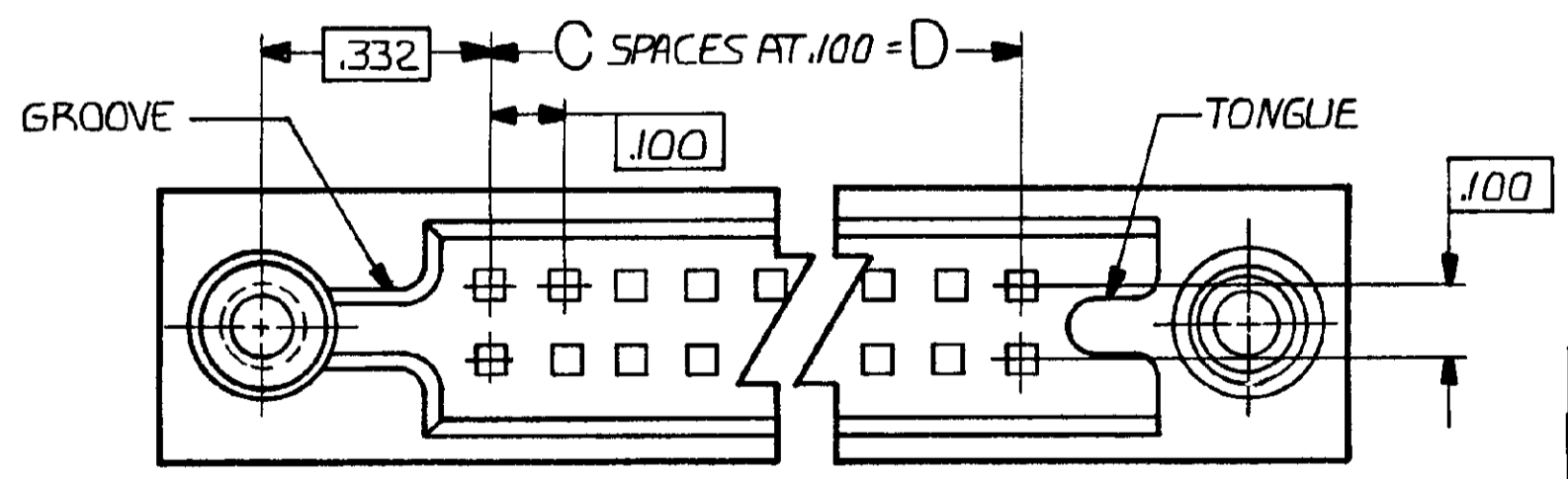
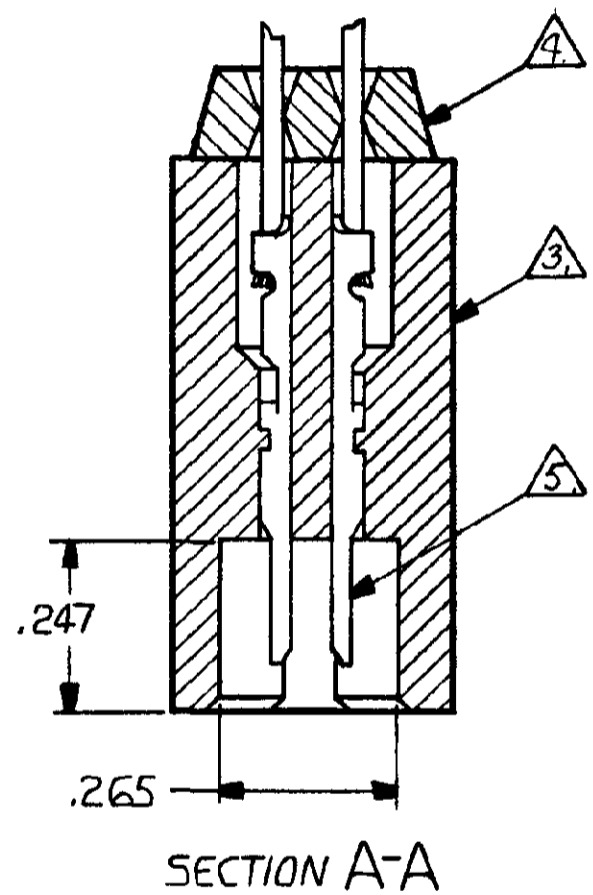
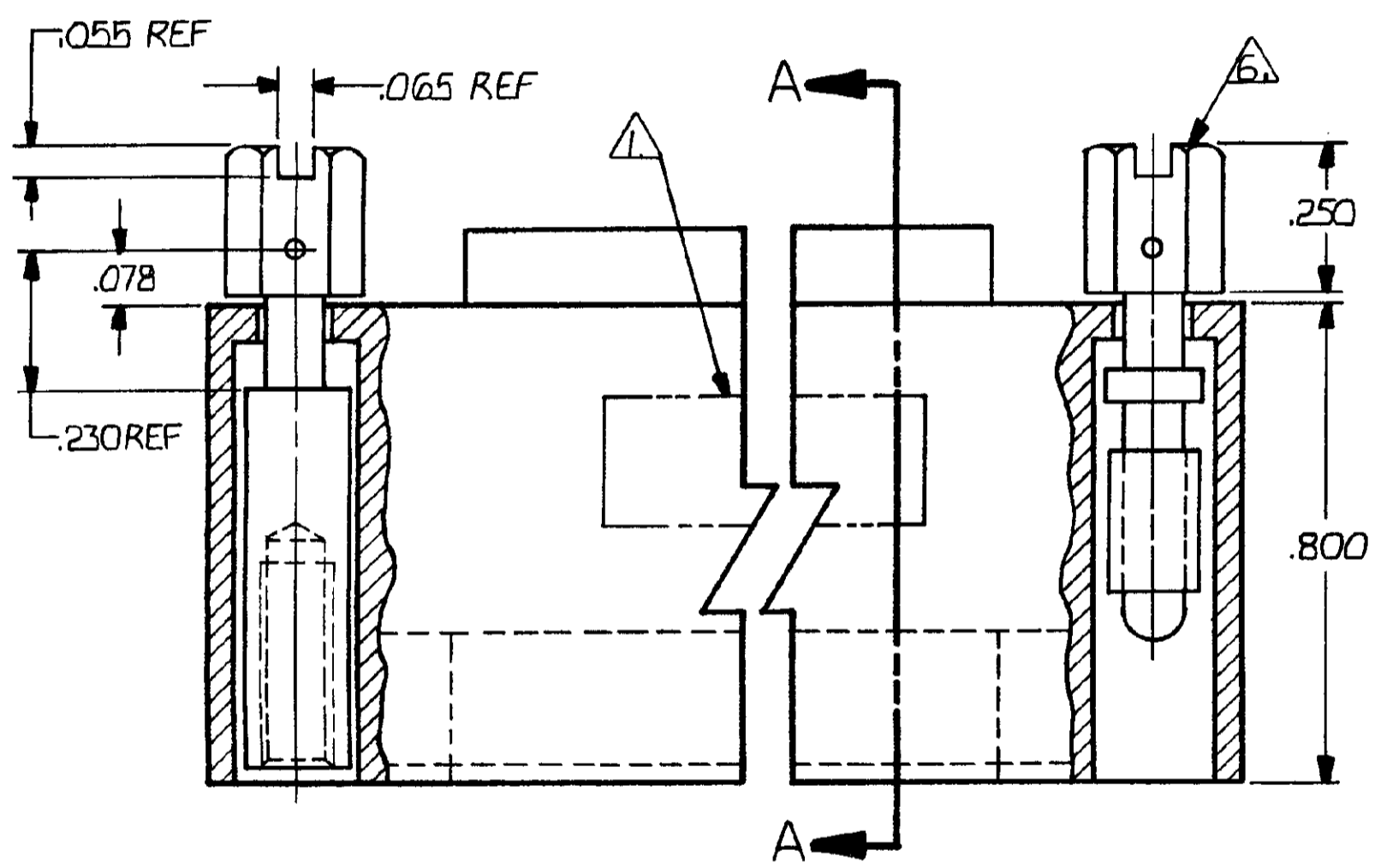
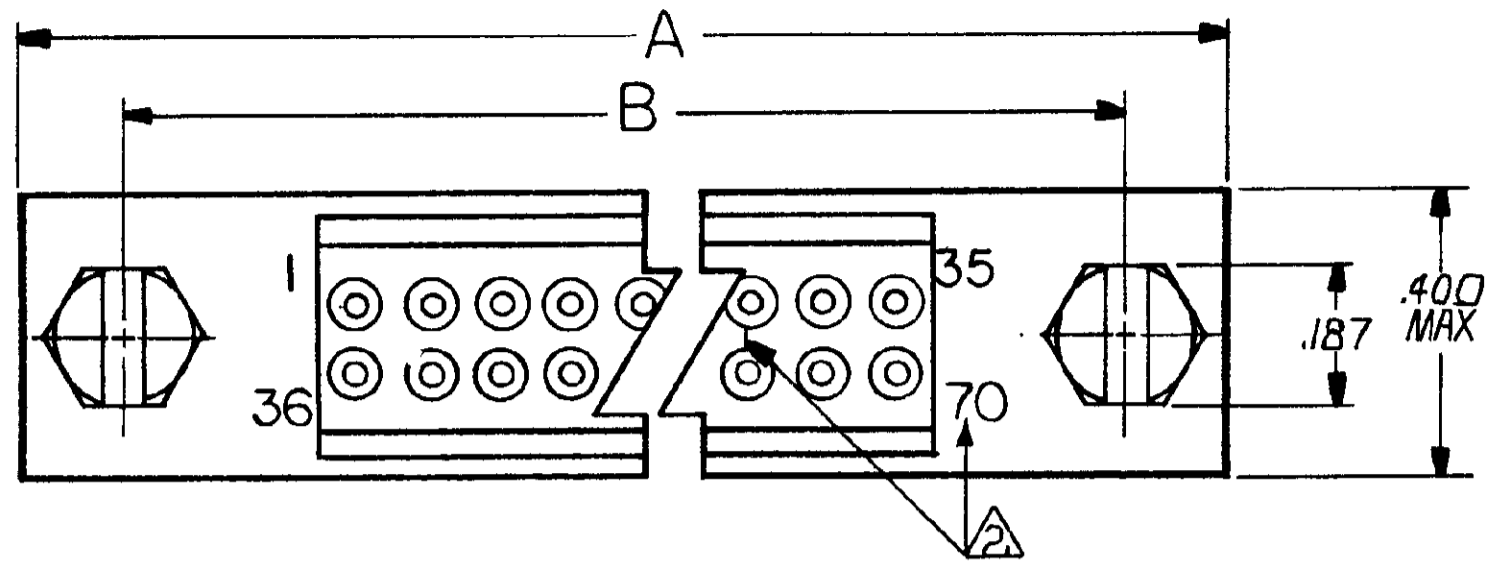


© COPYRIGHT 1978 BY AMP INCORPORATED, HARRISBURG, PA.  
 ALL INTERNATIONAL RIGHTS RESERVED. AMP INCORPORATED PRODUCTS  
 COVERED BY U. S. AND FOREIGN PATENTS AND/OR PATENTS PENDING.

LOC DF  
 DIST FO

REVISIONS						
P	F	ZONE	LTR	DESCRIPTION	DATE	APPROVED
		G		ECO-08-020831	PY	10-08 BW



UNLESS OTHERWISE SPECIFIED DIMENSIONS ARE IN INCHES. TOLERANCES ON: DECIMALS ± .010 ANGLES ±		CONTRACT NO Robert Wolter 6-14-78	AMP INCORPORATED Harrisburg, Pa.	
MATERIAL 3, 4	CHK Roger W. Durbin 7-13-78	NAME PIN HEADER HOUSING ASSY W/GASKET, CRIMP-SNAP BOX PIN CONTACTS	PART NO	
FINISH	APPD Roger W. Durbin 7-13-78	SIZE C	CODE IDENT NO 00779	DRAWING NO 530885
	APPD R. Howman 7-17-78	SCALE 4-1	REV G	
	OTHER APPD	SHEET 1 OF 2		

© COPYRIGHT 1978 BY AMP INCORPORATED, HARRISBURG, PA.  
 ALL INTERNATIONAL RIGHTS RESERVED. AMP INCORPORATED PRODUCTS  
 COVERED BY U. S. AND FOREIGN PATENTS AND/OR PATENTS PENDING.

REVISIONS			
P	F	ZONE	DESCRIPTION
			SEE SHEET 1

PART NUMBER	NO OF POSITIONS	A	B	C	D	CAVITY IDENTIFICATION	TURNABLE JACKSCREWS IN HOUSING ASSEMBLY		MILITARY PART NUMBER
							TONGUE END	GROOVE END	
530885-1	70	4.355	4.065	34	3.400	1 36 35 70	FEMALE	FEMALE	M55302/113-90
530885-2	70	4.355	4.065	34	3.400	1 36 35 70	MALE	FEMALE	M55302/113-91
530885-3	70	4.355	4.065	34	3.400	1 36 35 70	FEMALE	MALE	M55302/113-92
530885-4	70	4.355	4.065	34	3.400	1 36 35 70	MALE	MALE	M55302/113-93
530885-5	110	6.355	6.065	54	5.400	1 56 55 110	FEMALE	FEMALE	M55302/113-94
530885-6	110	6.355	6.065	54	5.400	1 56 55 110	MALE	FEMALE	M55302/113-95
530885-7	110	6.355	6.065	54	5.400	1 56 55 110	FEMALE	MALE	M55302/113-96
530885-8	110	6.355	6.065	54	5.400	1 56 55 110	MALE	MALE	M55302/113-97
530885-9	60	3.855	3.565	29	2.900	1,31 30,60	FEMALE	FEMALE	
1-530885-0	60	3.855	3.565	29	2.900	1,31 30,60	MALE	FEMALE	
1-530885-1	60	3.855	3.565	29	2.900	1,31 30,60	FEMALE	MALE	
1-530885-2	60	3.855	3.565	29	2.900	1,31 30,60	MALE	MALE	
1-530885-3	80	4.855	4.565	39	3.900	1,41 40,80	FEMALE	FEMALE	

1. AMP, 00779 PART NUMBER, DATE CODE AND MILITARY PART NUMBER MARKED IN THIS AREA. SIDE OPTIONAL.

2. NUMBERS AND LINES INDICATING EVERY FIVE CAVITIES TO BE MARKED (SEE TABLE)

3. HOUSING MATERIAL: GLASS FILLED POLYESTER. COLOR: BLUE.

4. GASKET MATERIAL: SILICONE RUBBER.

5. CRIMP SNAP CONTACT PART NUMBER 530750-5 FOR #22 TO #26 AWG WIRE MUST BE ORDERED SEPARATELY.

6. REPLACEMENT JACKSCREW KIT IS THE SAME AS SUPPLIED WITH THIS ASSEMBLY. MALE PART NUMBER 530754-1 AND FEMALE 530754-2.

7. MEETS PERFORMANCE REQUIREMENTS OF MIL-C-55302.

8. MATES WITH EXTERNAL KEY TYPE RECEPTACLE ASSY 1000 SERIES, WHICH USES MOUNTING HARDWARE PART NUMBER 531141. 2 REQUIRED TO ENGAGE JACKSCREWS.

UNLESS OTHERWISE SPECIFIED DIMENSIONS ARE IN INCHES. TOLERANCES ON: DECIMALS ±.010 ANGLES ±		CONTRACT NO Robert Widen 6-14-78		AMP INCORPORATED Harrisburg, Pa.	
MATERIAL 3,4		CHK Roger W. Duran 6/29/78		NAME PIN HEADER HOUSING ASSY W GASKET, CRIMP-SNAP BOX PIN CONTACTS	
FINISH		APPD Roger W. Duran 6/29/78		DRAWING NO 530885	
		APPD R. Shuman 7-17-78		REV G	
		DSGN APPD		SCALE 4-1	
		OTHER APPD		SHEET 2 OF 2	