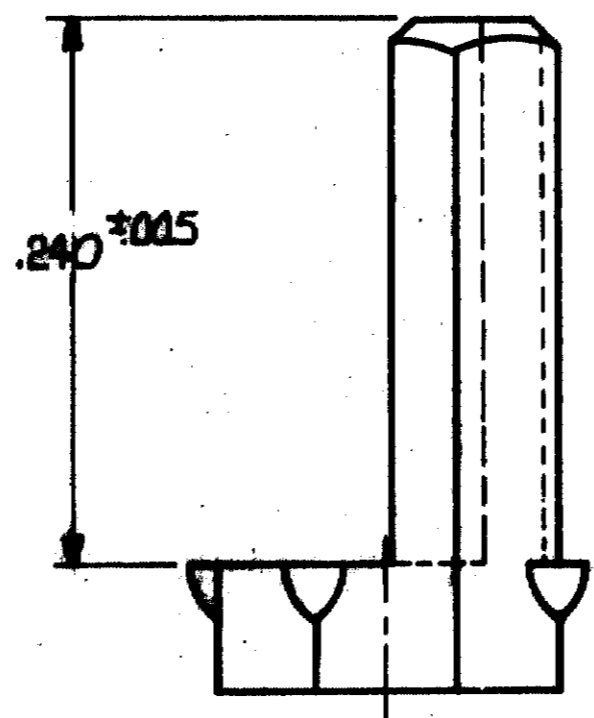
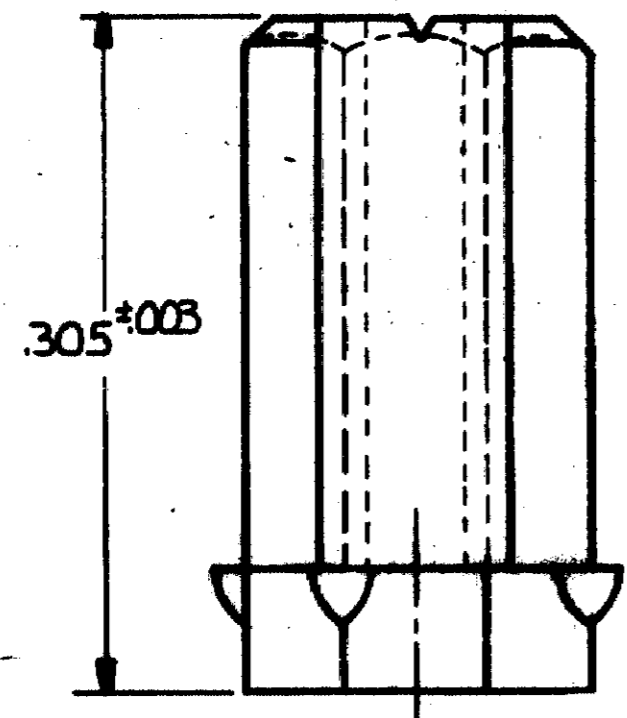
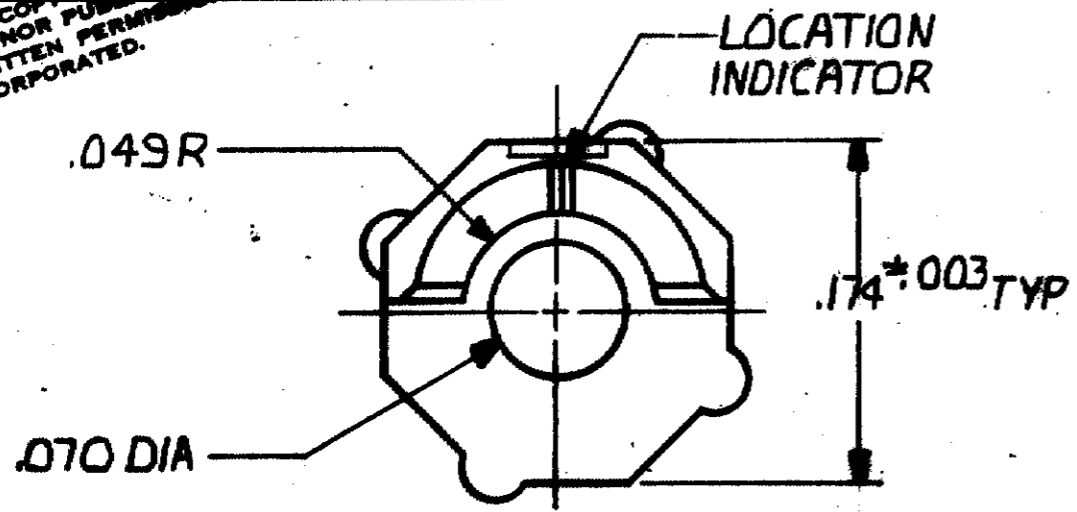


© COPYRIGHT 1977 BY AMP INCORPORATED, HARRISBURG, PA.
 ALL INTERNATIONAL RIGHTS RESERVED. AMP INCORPORATED PRODUCTS
 COVERED BY U. S. AND FOREIGN PATENTS AND/OR PATENTS PENDING.

530938-1 I.A.S SHOWN

REVISIONS						
P	F	ZONE	LTR	DESCRIPTION	DATE	APPROVED
				01. REVISED	5563	6-13-78 m.s. R.O.

UNPUBLISHED COPY NOT TO BE REPRODUCED NOR PUBLISHED WITHOUT WRITTEN PERMISSION OF AMP INCORPORATED.



UNLESS OTHERWISE SPECIFIED DIMENSIONS ARE IN INCHES. TOLERANCES ON: DECIMALS ± .005 ANGLES ± .005		CONTRACT NO		PART NO	
MATERIAL GLASS FILLED POLYESTER COLOR: BLACK		DRG Valent Usher 9-15-77		AMP INCORPORATED Harrisburg, Pa.	
FINISH		CHK		NAME EXTERNAL KEY FOR BOX CONNECTOR	
		APPD R. Williams 9-19-77		SIZE B	
		APPD R. Showman 9-19-77		CODE IDENT NO 00779	
		DSGN APPD		DRAWING NO 530938	
		OTHER APPD		SCALE 10-1	
				SHEET 1 OF 1	