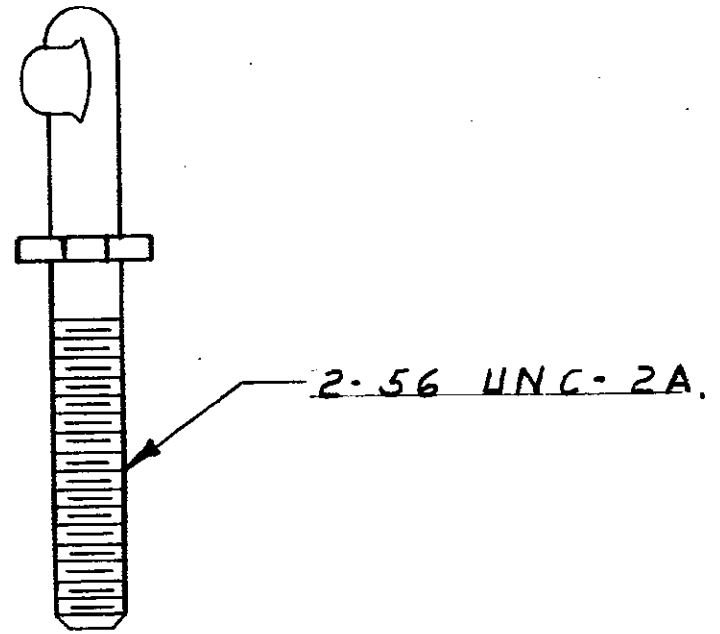
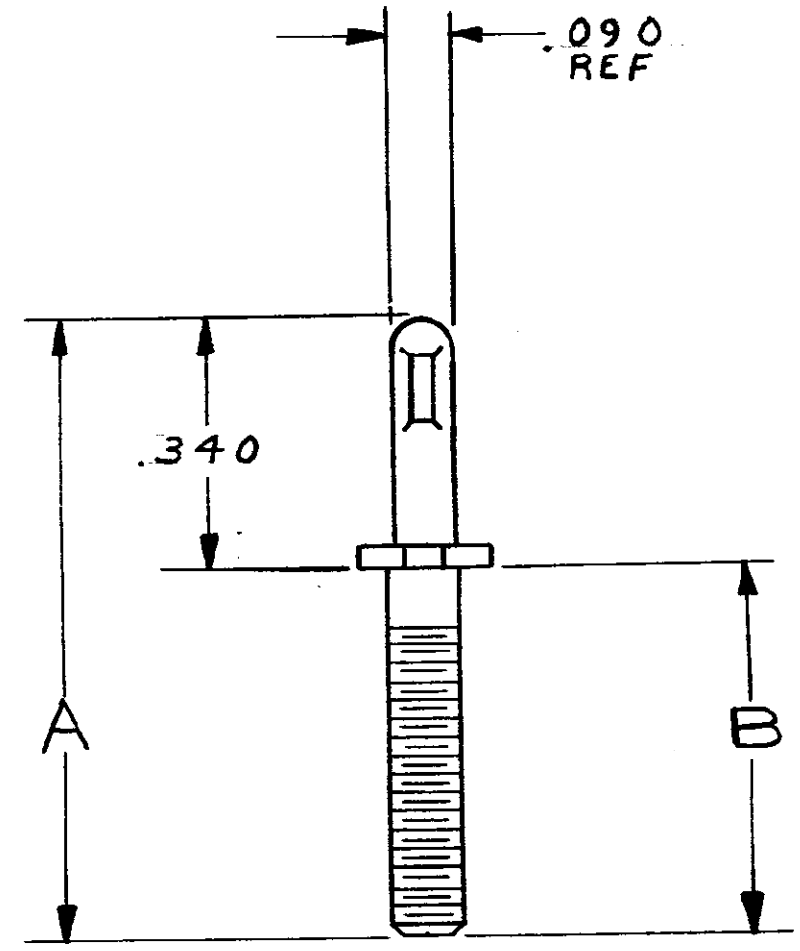


DRAWING MADE IN THIRD ANGLE PROJECTION

© COPYRIGHT 19 BY AMP INCORPORATED, HARRISBURG, PA.
 ALL INTERNATIONAL RIGHTS RESERVED. AMP INCORPORATED PRODUCTS
 COVERED BY U. S. AND FOREIGN PATENTS AND/OR PATENTS PENDING.

1 LOC AB DIST 39

REVISIONS					
F	ZONE	LTR	DESCRIPTION	DATE	APPROVED
		A	REVISED 7086	DLK 12/23/80	UMP
A1		A1	REVISED & ADDED - 2	4/18/84	DLH
		A2	ADD - 3: AB-1690	db 7-86	ML
		A3	ECN AB1865	10/15/88	RKS
		B	ECO-11-023008	PY 12-11	DM
		C	ECO-12-019992	PY 11-12	DM



.375 REF	.715	531713-5
.0875	.4275	531713-4
.280 REF	.620	531713-3
.410 REF	.750	531713-2
.500 REF	.840	531713-1

1. TO BE USED WITH INSERT P/N 531714-1 OR 532782-1 OR -2.

UNLESS OTHERWISE SPECIFIED DIMENSIONS ARE IN INCHES. TOLERANCES ON: DECIMALS ±.005 ANGLES ±	CONTRACT NO 5-29-80	AMP INCORPORATED Harrisburg, Pa.			
	DR <i>M. Smith</i>			NAME COMBINATION GUIDE, KEYING PIN	
MATERIAL STAINLESS STEEL	CHK <i>M. Pritchard</i> 7/2/80	SIZE B	CODE IDENT NO 00779	DRAWING NO 531713	REV C
FINISH PASSIVATED	APPD <i>M. Pritchard</i> 7/2/80	SCALE 4:1		SHEET	
	APPD <i>F. Parsons</i> 5/24/80				
	DSGN APPD				
	OTHER APPD				

CUSTOMER DRAWING