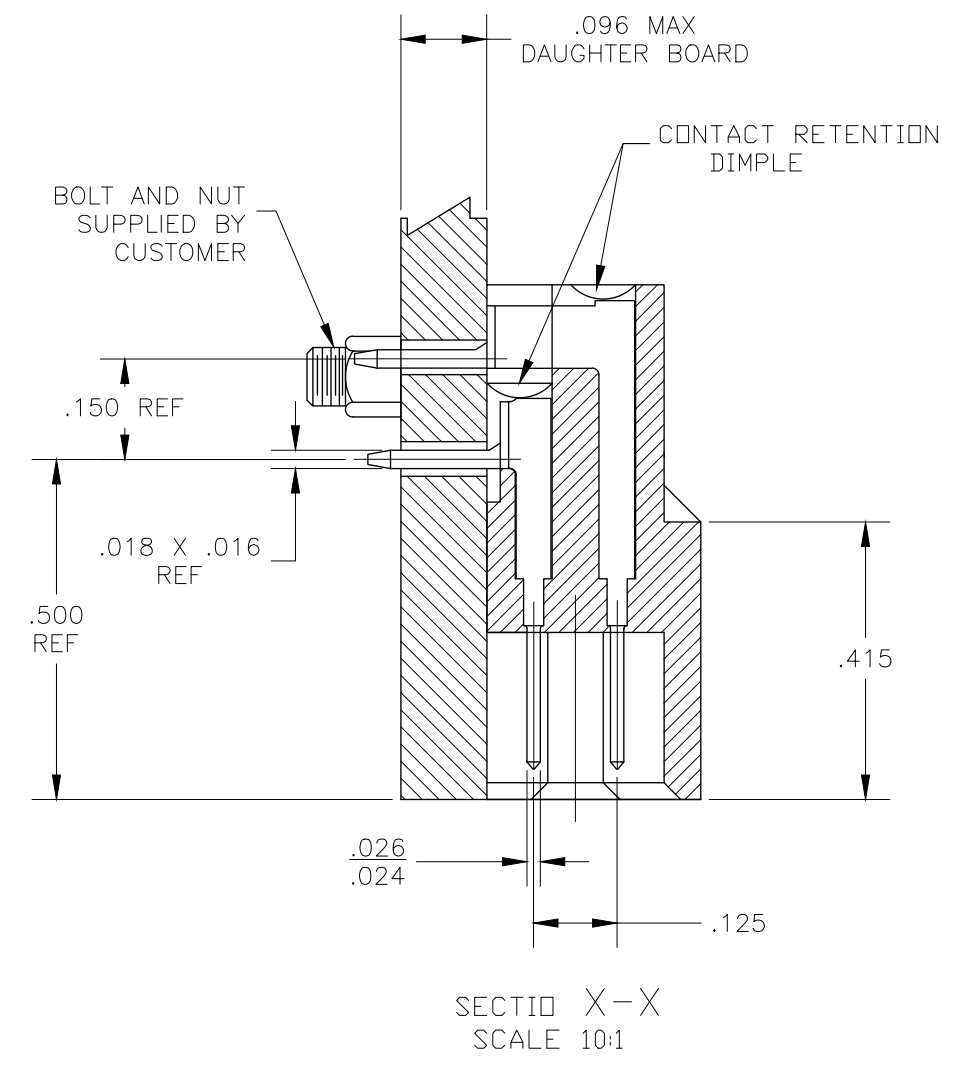
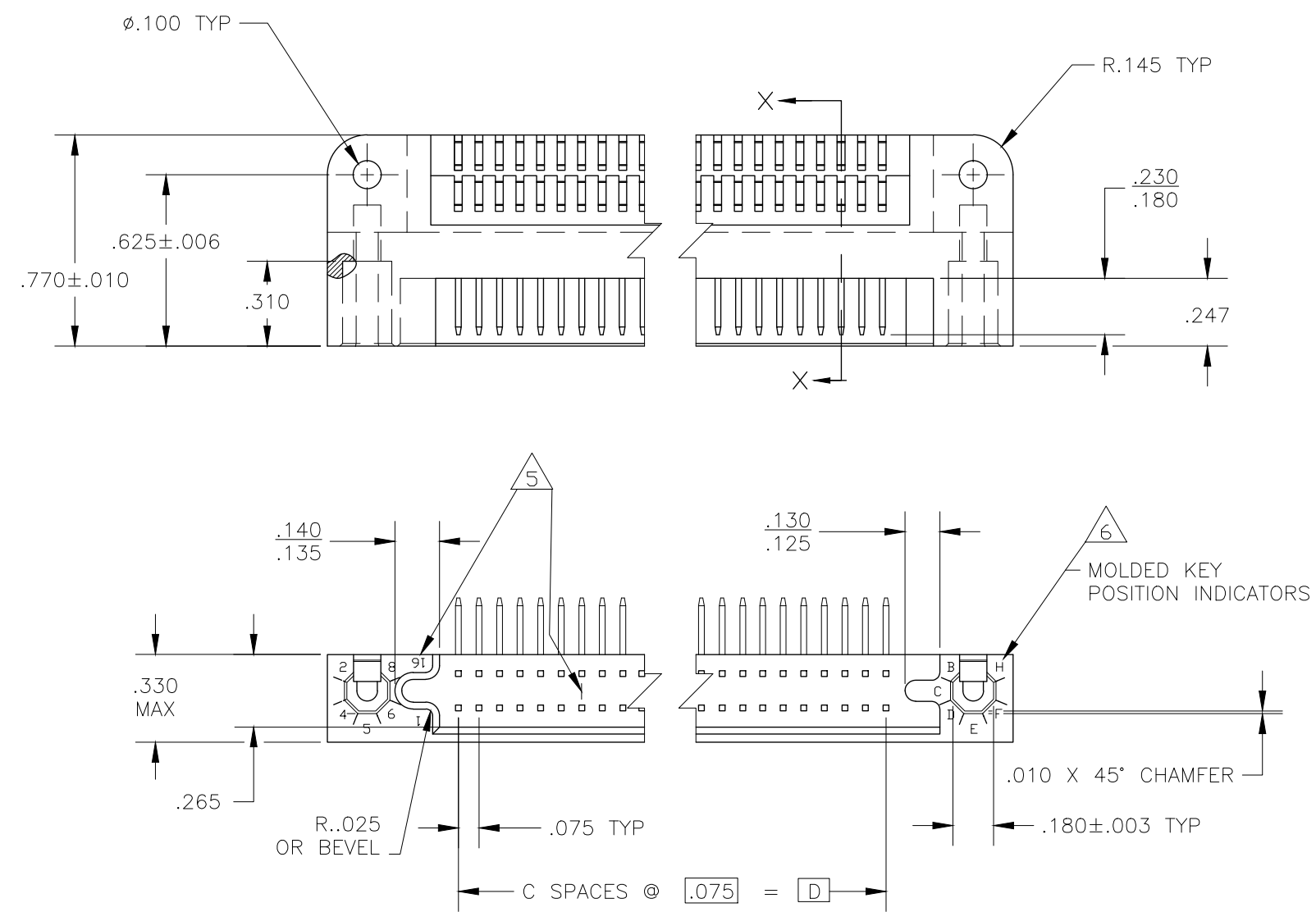
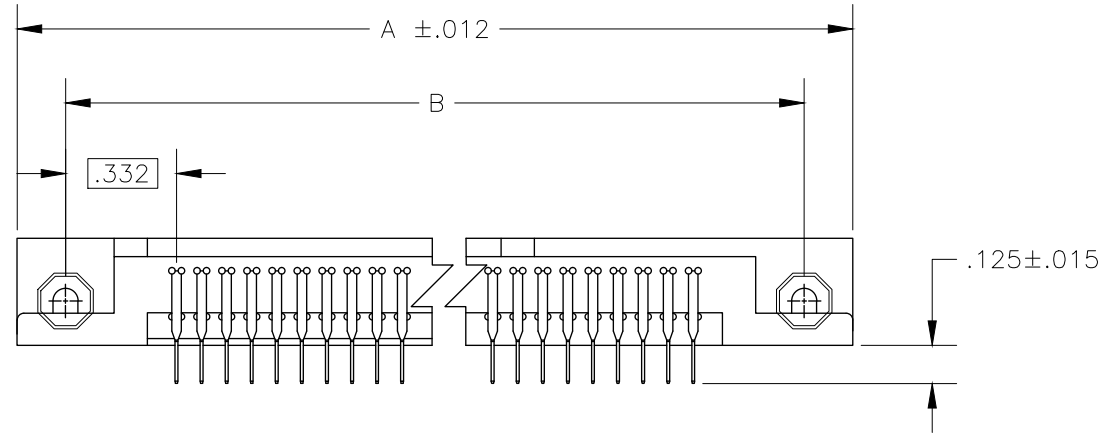


THIS DRAWING IS UNPUBLISHED. RELEASED FOR PUBLICATION
 © COPYRIGHT - By - ALL RIGHTS RESERVED.

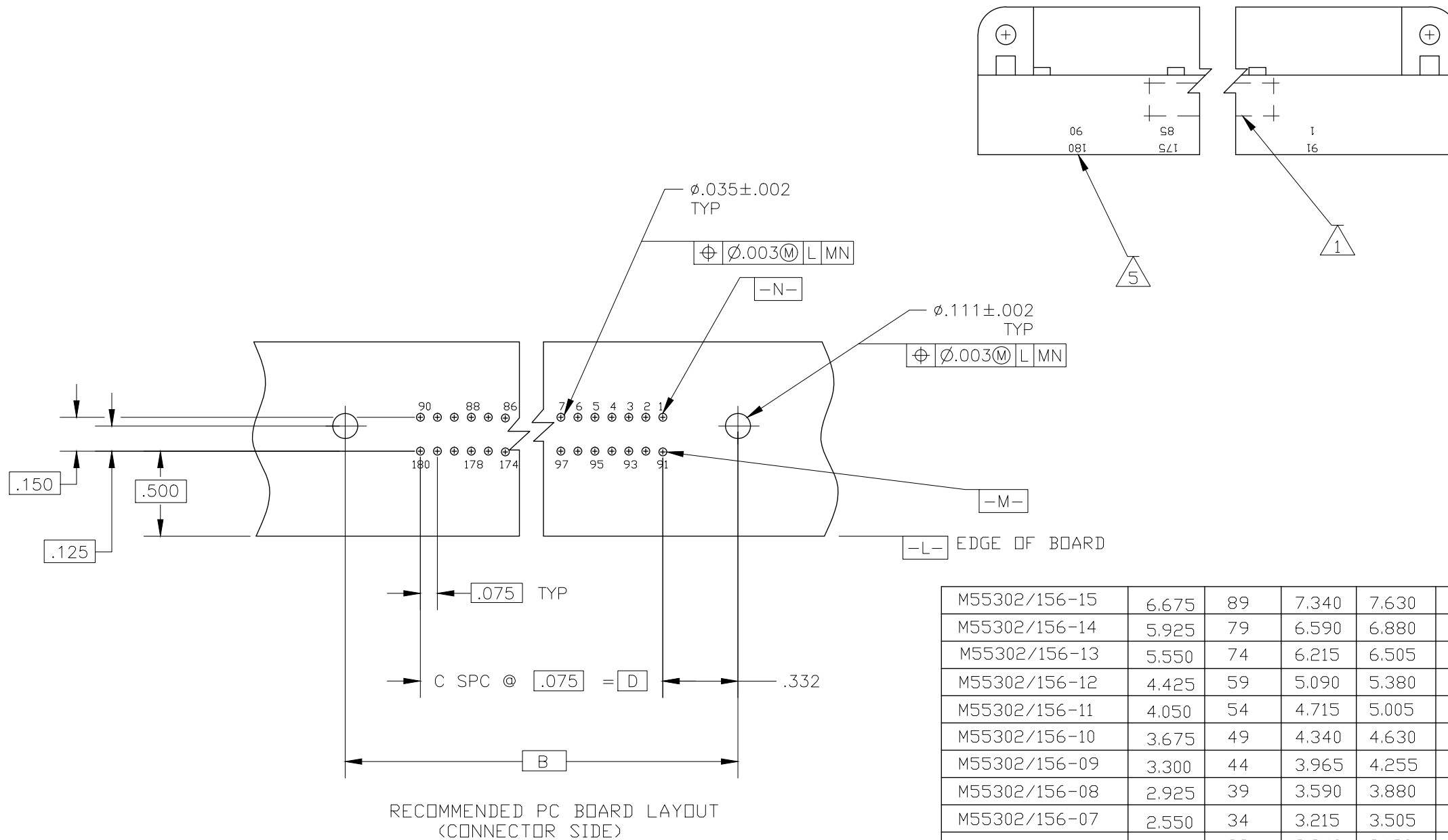
LOC		DIST		REVISIONS			
P	LTR	DESCRIPTION		DATE	DWN	APVD	
DF	X5	D	REVISED PER ECO-15-007393	08JUN15	MGM	CCT	



THIS DRAWING IS A CONTROLLED DOCUMENT.		DWN MANJUNATH G M 08JUN2015																				
DIMENSIONS: INCHES		CHK C.C. THOMAS 08JUN2015																				
TOLERANCES UNLESS OTHERWISE SPECIFIED:		APVD C.C. THOMAS 08JUN2015	NAME PIN ASSEMBLY, RIGHT ANGLE, 751 SERIES, BOX CONNECTOR																			
<table border="0"> <tr><td>0 PLC</td><td>±</td><td>-</td></tr> <tr><td>1 PLC</td><td>±</td><td>-</td></tr> <tr><td>2 PLC</td><td>±</td><td>-</td></tr> <tr><td>3 PLC</td><td>±</td><td>-</td></tr> <tr><td>4 PLC</td><td>±</td><td>-</td></tr> <tr><td>ANGLES</td><td>±</td><td>-</td></tr> </table>		0 PLC	±	-	1 PLC	±	-	2 PLC	±	-	3 PLC	±	-	4 PLC	±	-	ANGLES	±	-	PRODUCT SPEC APPLICATION SPEC	SIZE A2	CAGE CODE 00779
0 PLC	±	-																				
1 PLC	±	-																				
2 PLC	±	-																				
3 PLC	±	-																				
4 PLC	±	-																				
ANGLES	±	-																				
MATERIAL 		FINISH 	WEIGHT -	DRAWING NO C=531719																		
CUSTOMER DRAWING			SCALE 4:1	SHEET 1 OF 2																		
			RESTRICTED TO -	REV D																		

THIS DRAWING IS UNPUBLISHED. RELEASED FOR PUBLICATION
 © COPYRIGHT - By - ALL RIGHTS RESERVED.

LOC	DIST	REVISIONS					
DF	X5	P	LTR	DESCRIPTION	DATE	DWN	APVD
		-	-	SEE SHEET 1	-	-	-



- 1 TE, PART NUMBER, MILITARY P/N, DATE CODE, 00779 MARKED THIS AREA.
- 2 HOUSING MATERIAL: GLASS FILLED POLYESTER, COLOR: BLUE.
- 3 CONTACT MATERIAL- BRASS
FINISH- .000050 GOLD OVER .000050 NICKEL IN CONTACT AREA, TIN-LEAD PLATE OVER NICKEL ON SOLDER SIDE.
- 4 MIL-C-55302 GROUP INSPECTION REQUIRED.
- 5 NUMBERS AND LINES INDICATING EVERY 5 CAVITIES MARKED ON MATING FACE. NUMBERS INDICATING EVERY 5 CAVITIES MARKED ON SIDE.
- 6 KEY POSITION IDENTIFICATION MOLDED ON SURFACE SHOWN.

THIS DRAWING IS A CONTROLLED DOCUMENT.

DWN MANJUNATH G M 08JUN2015	 TE Connectivity	NAME C.C. THOMAS
CHK C.C. THOMAS 08JUN2015		PRODUCT SPEC -
APVD C.C. THOMAS 08JUN2015		APPLICATION SPEC -
WEIGHT -		RESTRICTED TO -
DIMENSIONS: INCHES	TOLERANCES UNLESS OTHERWISE SPECIFIED:	SIZE A2
0 PLC ± -	1 PLC ± -	CAGE CODE 00779
2 PLC ± -	2 PLC ± -	DRAWING NO C=531719
3 PLC ± -	3 PLC ± -	SCALE 4:1
4 PLC ± -	4 PLC ± -	SHEET 2 OF 2
MATERIAL 2 3	FINISH 3	CUSTOMER DRAWING