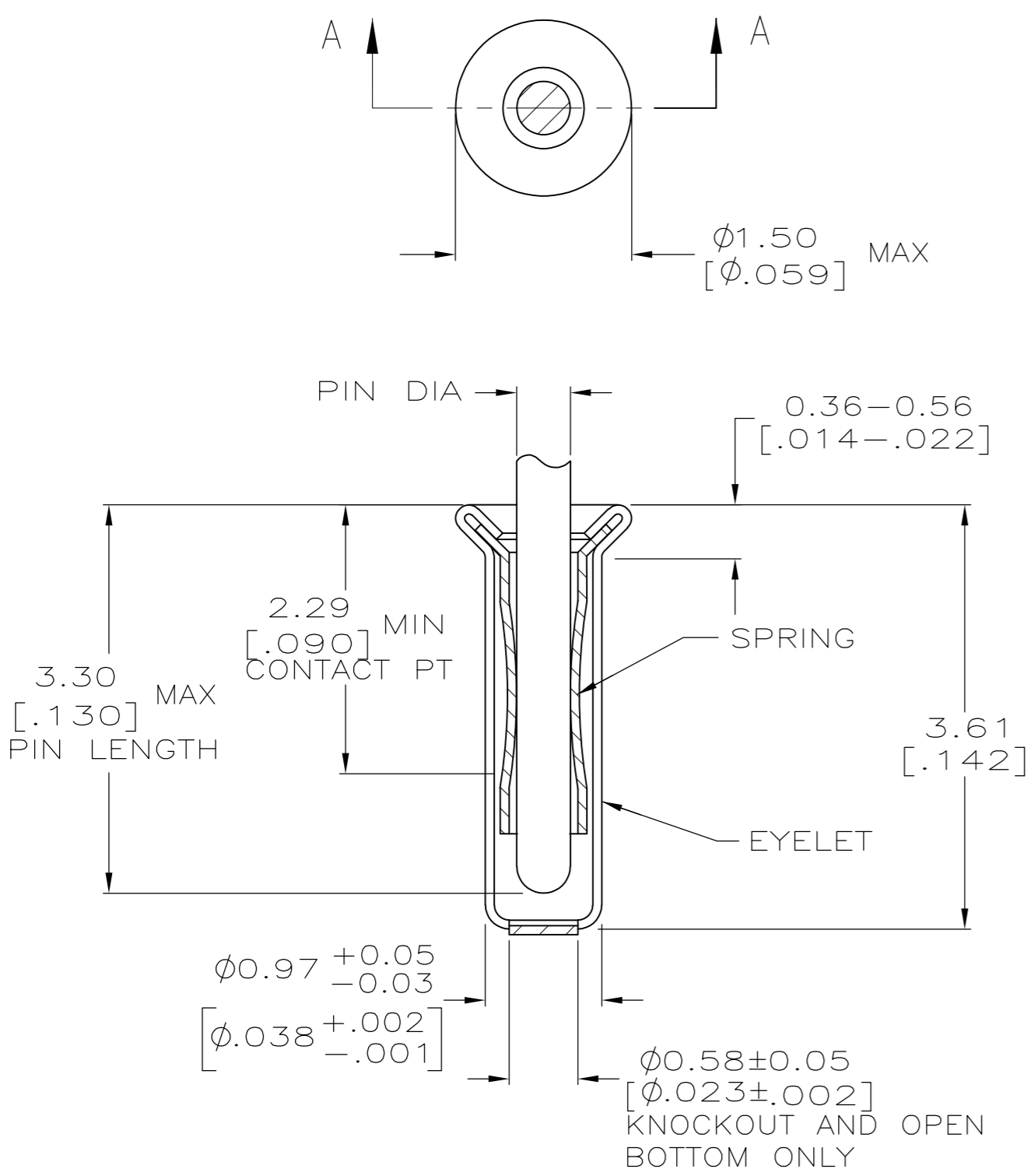


THIS DRAWING IS UNPUBLISHED. RELEASED FOR PUBLICATION
 © COPYRIGHT - By - ALL RIGHTS RESERVED.

| LOC | DIST | REVISIONS | | | | | |
|-----|------|-----------|-----|---------------------------|---------|-----|------|
| FT | 64 | P | LTR | DESCRIPTION | DATE | DWN | APVD |
| | | P | | REVISED PER ECO-11-004835 | 11MAR11 | RK | HMR |

- 1. TIN PLATE PER ASTM B 545 .000254 [.000100] MIN THICK.
- 2. GOLD PLATE PER ASTM B 488, 0.00076 [.000030] MIN THICK OVER NICKEL PLATE PER QQ-N-290 0.00028 [.000011] MIN THICK ON CONTACT AREA.
- 3. RECOMMENDED HOLE SIZE, PLATED OR UNPLATED:
 MACHINE INSERTION: 1.04±0.05 [.041±.002]
 HAND INSERTION: 1.02 ^{+0.10}/_{-0.00} [.040 ^{+0.004}/_{-0.000}]
- 4. APPLICATION TOOL PART NUMBER:
 MACHINE NO. 682127-2
 INSERTION HEAD NO. 682039-1
- 5. TO INSURE PROPER SPRING TENSION DO NOT EXCEED A 0.10 [.004] DIFFERENCE IN PIN DIA WHEN CHANGING TO A SMALLER PIN.
- 6. BOTTOM PLUG KNOCKOUT TOOL PART NUMBER 69729 WITH TIP PART NUMBER 69728.
- 7. MATERIAL:
 SPRING: BERYLLIUM COPPER PER ASTM B 194
 EYELET: COPPER PER ASTM B 152
- 8. OBSOLETE PARTS: OBSOLETE CIS STREAMLINING PER D.RENAUD/D.SINISI



SECTION A-A

| 8 OBSOLETE | OPEN | 0.46-0.51 [.018-.020] | TIN 1 | GOLD 2 | 6-5330808-9 |
|---------------------------|-------------|-----------------------|--------|--------|-------------|
| | CLOSED | 0.33-0.51 [.013-.020] | | | |
| | OPEN | 0.25-0.33 [.010-.013] | | | 5-5330808-6 |
| | KNOCKOUT | 0.33-0.51 [.013-.020] | | | 5-5330808-4 |
| | CLOSED | 0.25-0.33 [.010-.013] | | | 5-5330808-3 |
| SUPERSEDED BY 5-5330808-4 | CLOSED | 0.25-0.33 [.010-.013] | | | 5-5330808-0 |
| 8 OBSOLETE | OPEN | 0.33-0.51 [.013-.020] | | TIN 1 | 4-5330808-7 |
| | CLOSED | 0.33-0.51 [.013-.020] | | | 2-5330808-7 |
| | BOTTOM TYPE | RECOMMENDED PIN DIA 5 | EYELET | SPRING | PART NO |

| | | | | | |
|---|--|--|---|--------------------|-------------------------|
| THIS DRAWING IS A CONTROLLED DOCUMENT. | | DWN A. FERNANDEZ-DOCK5 20APR2005 | TE TE Connectivity | | |
| DIMENSIONS: INCHES | | CHK J. HAVENER 20APR2005 | | | |
| TOLERANCES UNLESS OTHERWISE SPECIFIED: | | APVD J. HAVENER 20APR2005 | NAME MINIATURE SPRING SOCKET ASSEMBLY SERIES 1 | | |
| 0 PLC ± - 1 PLC ± - 2 PLC ± - 3 PLC ± 0.20 [.008] 4 PLC ± - ANGLES ± - | | PRODUCT SPEC 108-14008 | SIZE A2 | CAGE CODE 00779 | DRAWING NO C=5330808 |
| MATERIAL 1 | | FINISH SEE TABLE | WEIGHT - | SCALE 20:1 | SHEET 1 of 1 |
| | | CUSTOMER DRAWING | RESTRICTED TO - | | REV P |

5330808