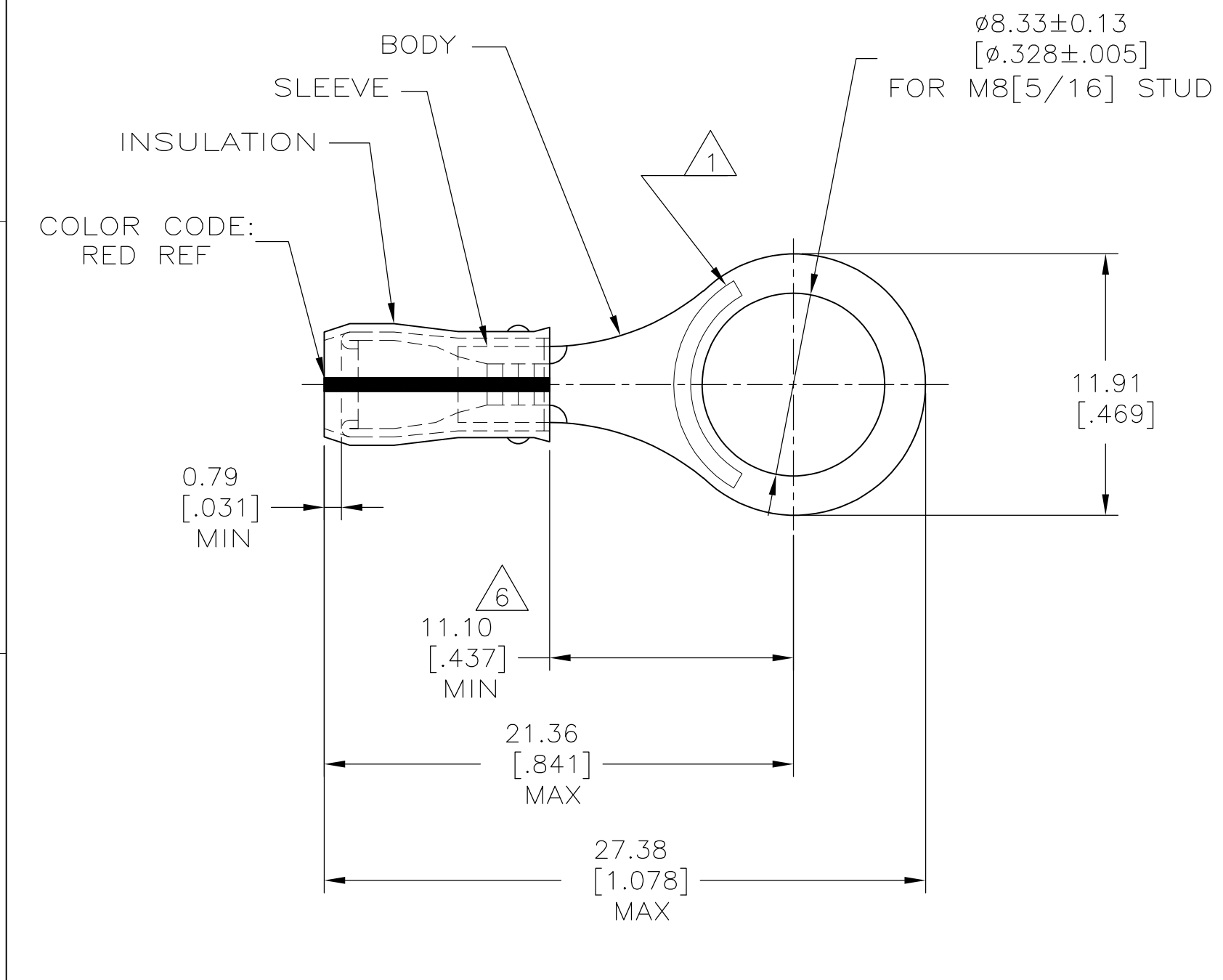


THIS DRAWING IS UNPUBLISHED. RELEASED FOR PUBLICATION
 © COPYRIGHT - By - ALL RIGHTS RESERVED.

LOC	DIST	REVISIONS					
		P	LTR	DESCRIPTION	DATE	DWN	APVD
G	14		K2	REVISED PER ECO-12-007718	07MAY12	KH	DR



- 1 STAMP AMP 22-18* APPROX AS SHOWN
22-16 TERMINALS ARE STAMPED 22-18 IN
ACCORDANCE WITH MILITARY SPEC SAE AS7928
COMMERCIAL WIRE RANGE IS 22-16.
- 2 WIRE INSULATION DIA: 2.03-3.18 [.080-.125.]
- 3 TONGUE MATERIAL THK: 0.79±0.05 [.031±.002]
- 4 BODY: TIN/LEAD (93-7) PLATE PER
ASTM B545. (3% MIN LEAD CONTENT)

SLEEVE: TIN/LEAD (93-7) PLATE PER
ASTM B545. (3% MIN LEAD CONTENT)
- 5 BODY & SLEEVE:
COPPER PER ASTM B152
- INSULATION: PVF2 , NATURAL
- 6 DIMENSION APPLIES FROM EDGE OF METAL WIRE
BARREL TO CENTER OF STUD HOLE.

M7928/4-104, CLASS 1 & 2 M7928/13-104, CLASS 1 & 2	1000	LOOSE PIECE	53411-1
MILITARY P/N AND CLASS	QTY	PACKAGE TYPE	PART NO

**AMP INCORPORATED
CUSTOMER SERVICE SYSTEMS**

FOR ADDITIONAL PRODUCT INFORMATION OR COPIES OF DRAWINGS AND TECHNICAL DOCUMENTS
 PRODUCT INFORMATION CENTER
 1-800-522-6752

FOR APPLICATION TOOLING INFORMATION
 TOOLING ASSISTANCE CENTER
 1-800-722-1111

FOR ORDER ENTRY
 1-800-526-5142

MAX RECOMMENDED OPERATING TEMPERATURE:
 150°C [302°F] MAX

VOLTAGE RATING:
 N/A

CIRCULAR MIL AREA:
 0.26-1.65mm² [509-3,250] STRANDED

THIS DRAWING IS A CONTROLLED DOCUMENT.

DIMENSIONS: mm [INCHES]

TOLERANCES UNLESS OTHERWISE SPECIFIED:

0 PLC	± -
1 PLC	± -
2 PLC	± 0.20[.008]
3 PLC	± -
4 PLC	± -
ANGLES	± -

MATERIAL: - 5

FINISH: - 4

DWN DK SCHRUM 06/16/93
 CHK RE HERSEY 7/6/93
 APVD RE HERSEY 7/6/93

STE TE Connectivity

NAME: TERMINAL, RING TONGUE, PVF2, P.I.D.G. WIRE SIZE: 22-16 AWG

PRODUCT SPEC: -

APPLICATION SPEC: NOT AVAILABLE

WEIGHT: -

SIZE: A3 CAGE CODE: 00779 DRAWING NO: C-53411 RESTRICTED TO: -

CUSTOMER DRAWING SCALE: 4:1 SHEET: 1 OF 1 REV: K2