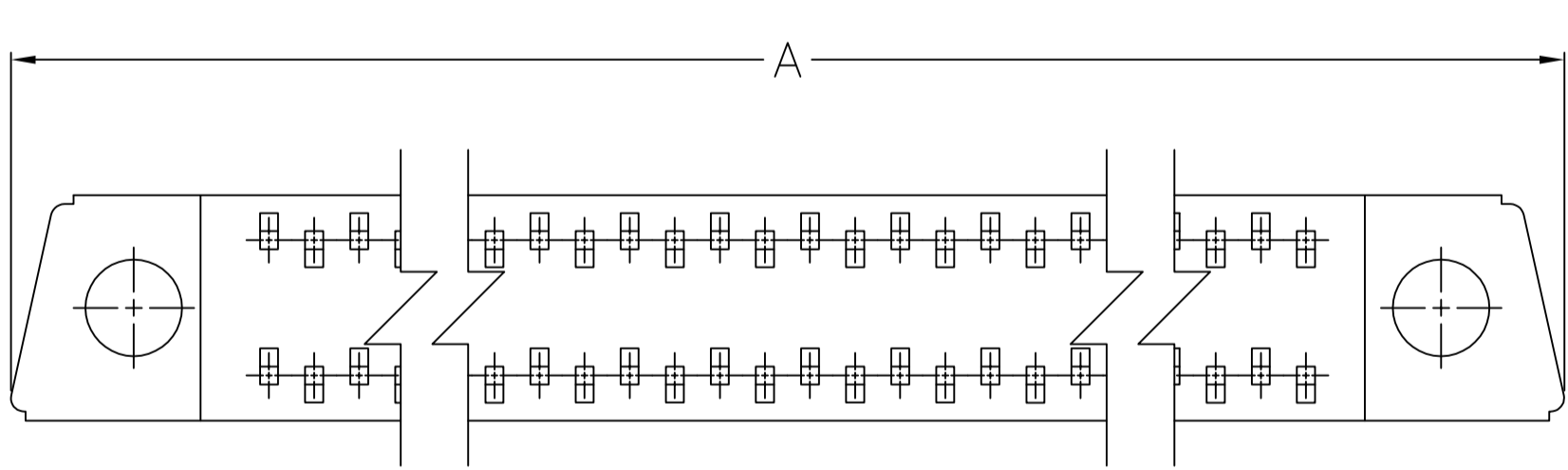
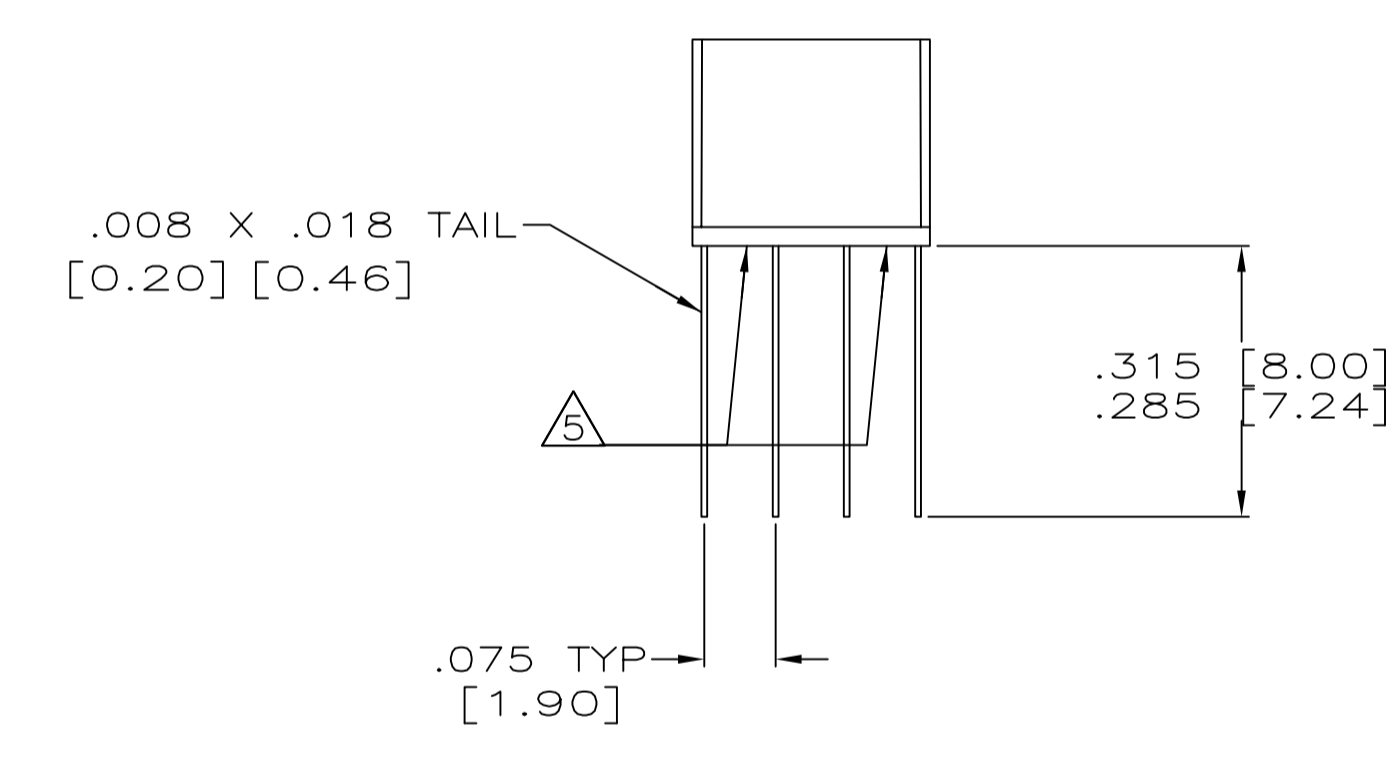
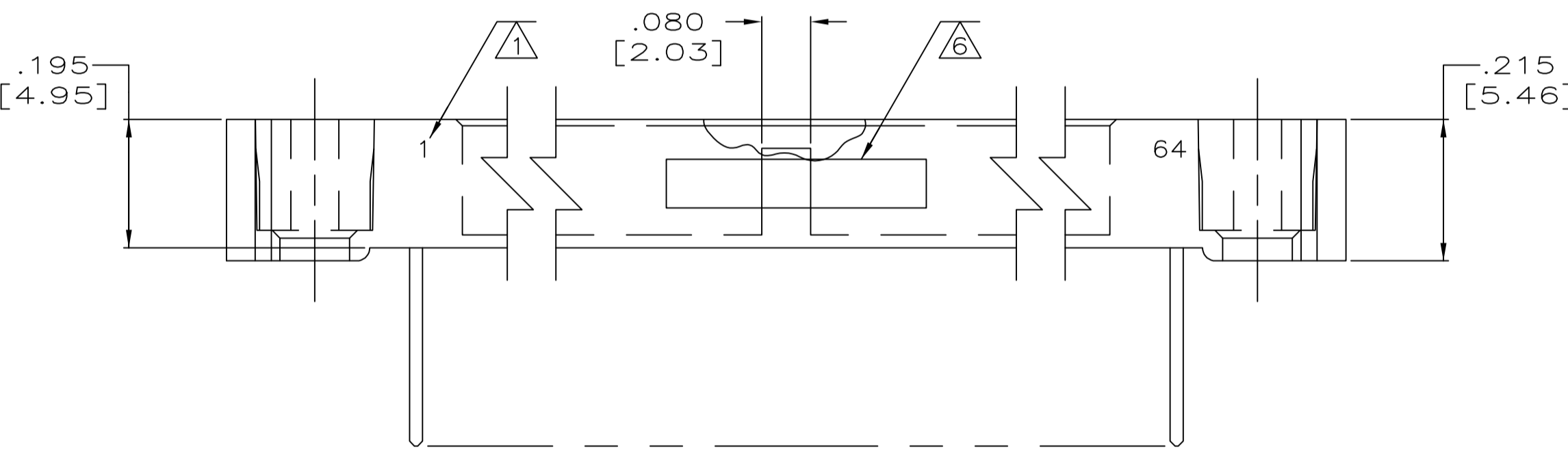
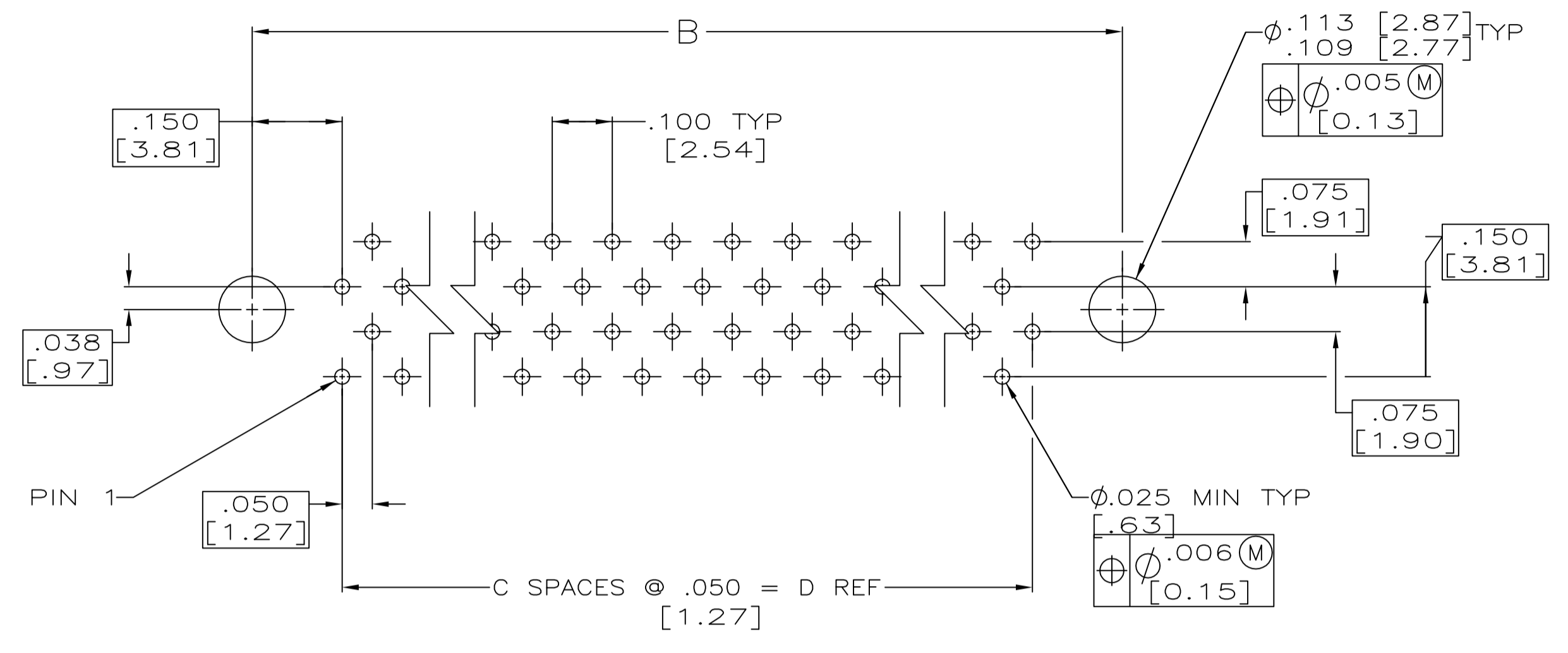
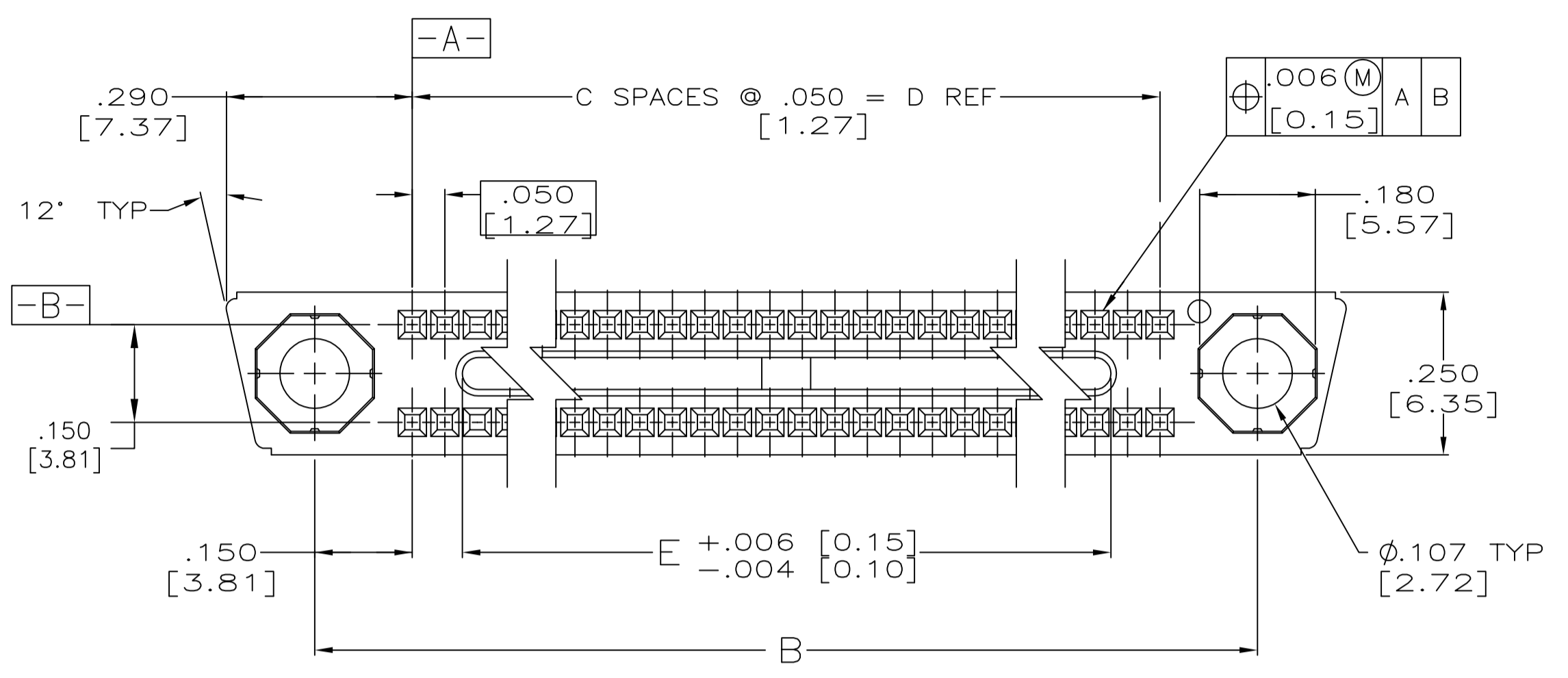


REVISIONS				
P	LTR	DESCRIPTION	DATE	OWN APVD
F		REVISED PER ECO-16-017894	26APR2017	PHM CT



- 1 NUMBERS INDICATING END POSITIONS MARKED THIS SIDE ONLY.
- 2. MEETS ALL APPLICABLE REQUIREMENTS OF MIL-C-55302.
- 3 HOUSING MATERIAL: LIQUID CRYSTAL POLYMER PER MIL-M-24519, GLCP-30F; COLOR: GRAY.
- 4 .000050 GOLD OVER NICKEL UNDERPLATE IN CONTACT AREA, TIN-LEAD OVER NICKEL ON CONTACT TAILS.
- 5 EPOXY SEALANT IS ADDED TO BOTTOM OF HOUSING FOR CONTACT RETENSION.
- 6 AMP, PART NUMBER, & DATE CODE MARKED IN THIS APPROXIMATE AREA.

1 - 64	3.000 [76.20]	3.150 [80.01]	63	3.450 [87.63]	3.740 [95.00]	128	534156-1
CONTACT IDENT NUMBERS	E	D	C	B	A	NUMBER OF CONTACTS	PART NUMBER
THIS DRAWING IS A CONTROLLED DOCUMENT.							
DIMENSIONS:				TOLERANCES UNLESS OTHERWISE SPECIFIED:			
INCHES:				MATERIAL:			
0 PLC ± -				FINISH:			
1 PLC ± -				3			
2 PLC ± -				4			
3 PLC ± .005 [0.13]				APVD			
4 PLC ± -				D. GUTTER			
ANGLES ± -				11-27-91			
				OWN T. ALEXANDER			
				1-3-92			
				APVD			
				D. GUTTER			
				1-3-92			
				NAME			
				STE TE Connectivity			
				APPLICATION SPEC			
				RECEPTACLE ASSEMBLY, MINI-BOX			
				PRODUCT SPEC			
				-			
				SIZE			
				CAGE CODE			
				DRAWING NO			
				RESTRICTED TO			
				A1			
				00779			
				C=534156			
				WEIGHT			
				-			
				CUSTOMER DRAWING			
				SCALE			
				5:1			
				SHEET			
				1 OF 1			
				REV			
				F			