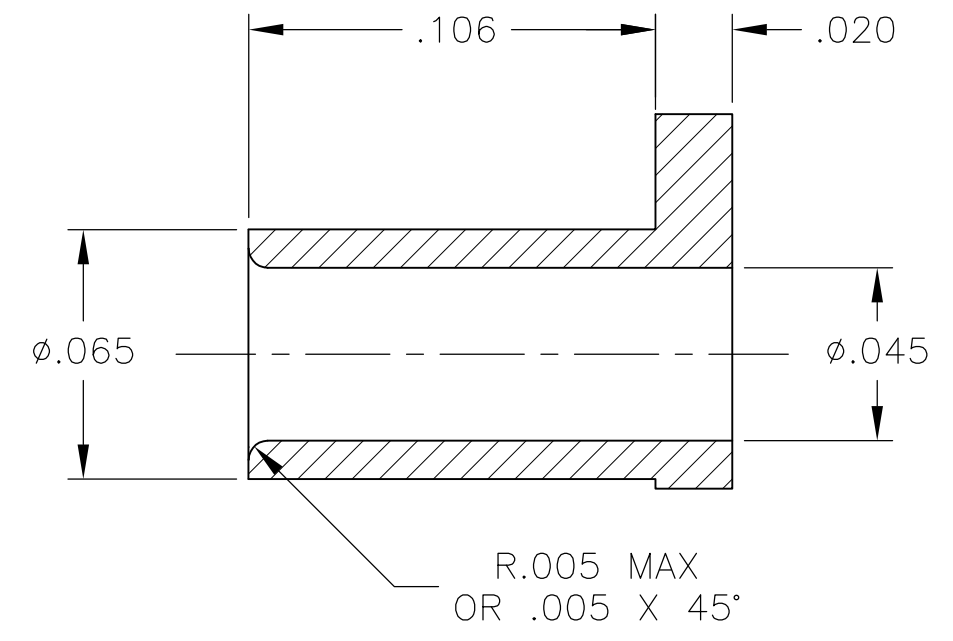
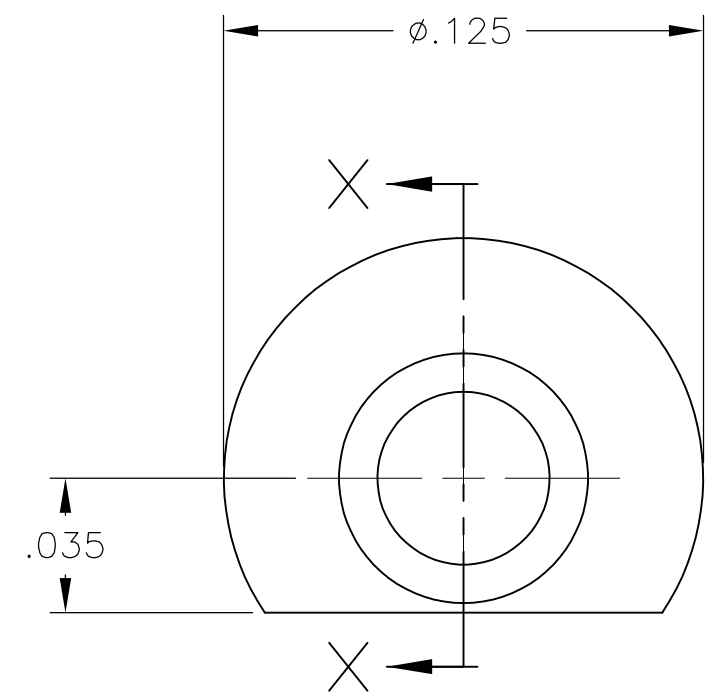


THIS DRAWING IS UNPUBLISHED. RELEASED FOR PUBLICATION
 © COPYRIGHT - By - ALL RIGHTS RESERVED.

LOC		DIST		REVISIONS			
P	LTR	DESCRIPTION		DATE	DWN	APVD	
	C	REV PER ECO		11-015051	7-22-11	CT	DH



SECTION X-X

- 1 MATL: BRASS
- 2 FINISH: .000030 MIN NICKEL PLATED.

1	2	534164-2
AS SHOWN		534164-1
DESCRIPTION		PART NUMBER

THIS DRAWING IS A CONTROLLED DOCUMENT.		DWN T. THOMPSON	01-10-95	TE Connectivity			
DIMENSIONS: INCHES		CHK D. GUTTER	01-23-94				
		TOLERANCES UNLESS OTHERWISE SPECIFIED:		NAME			
		0 PLC ± - 1 PLC ± - 2 PLC ± - 3 PLC ± .005 4 PLC ± - ANGLES ± -		KEY, RIVET, MINI-BOX PIN HEADER CONNECTOR			
MATERIAL		FINISH		PRODUCT SPEC			
-		-		APPLICATION SPEC			
				WEIGHT			
				-			
CUSTOMER DRAWING				SIZE	CAGE CODE	DRAWING NO	RESTRICTED TO
				A3	00779	C-534164	-
				SCALE	SHEET	REV	
				20:1	1 OF 1	C	