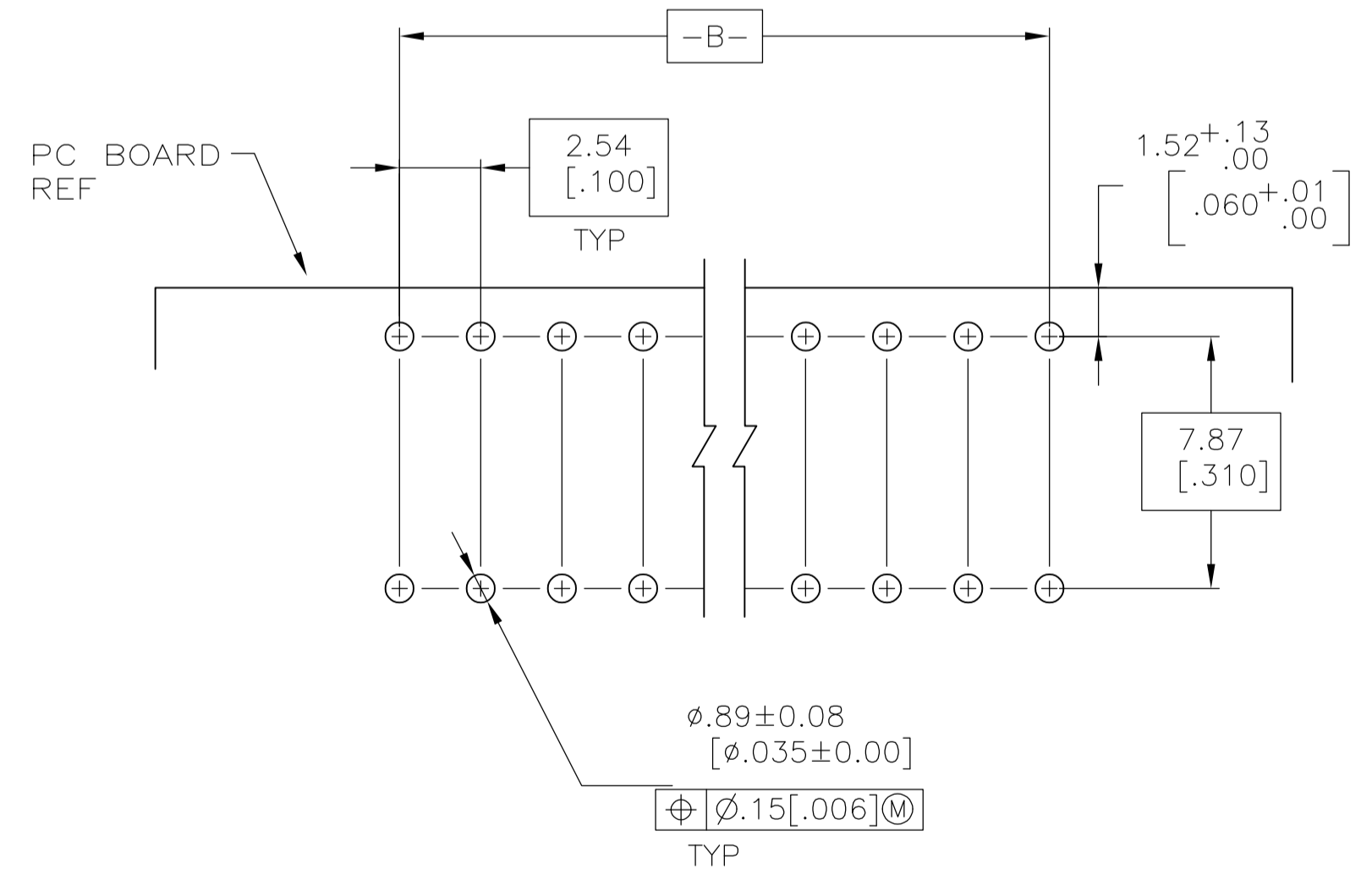
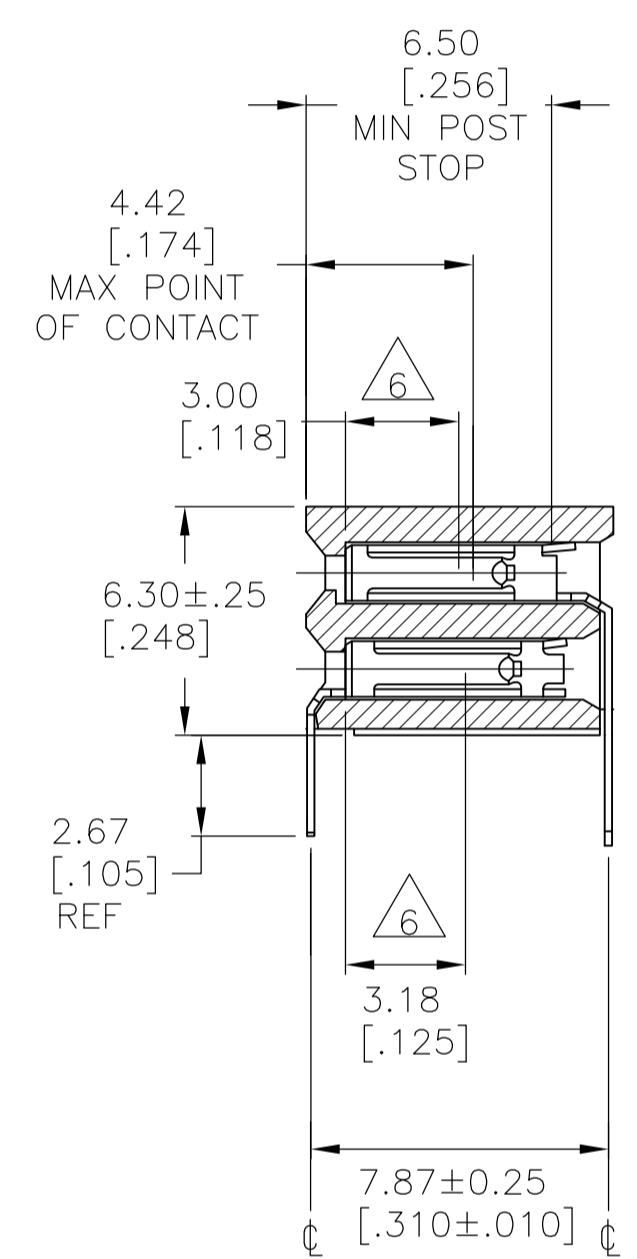
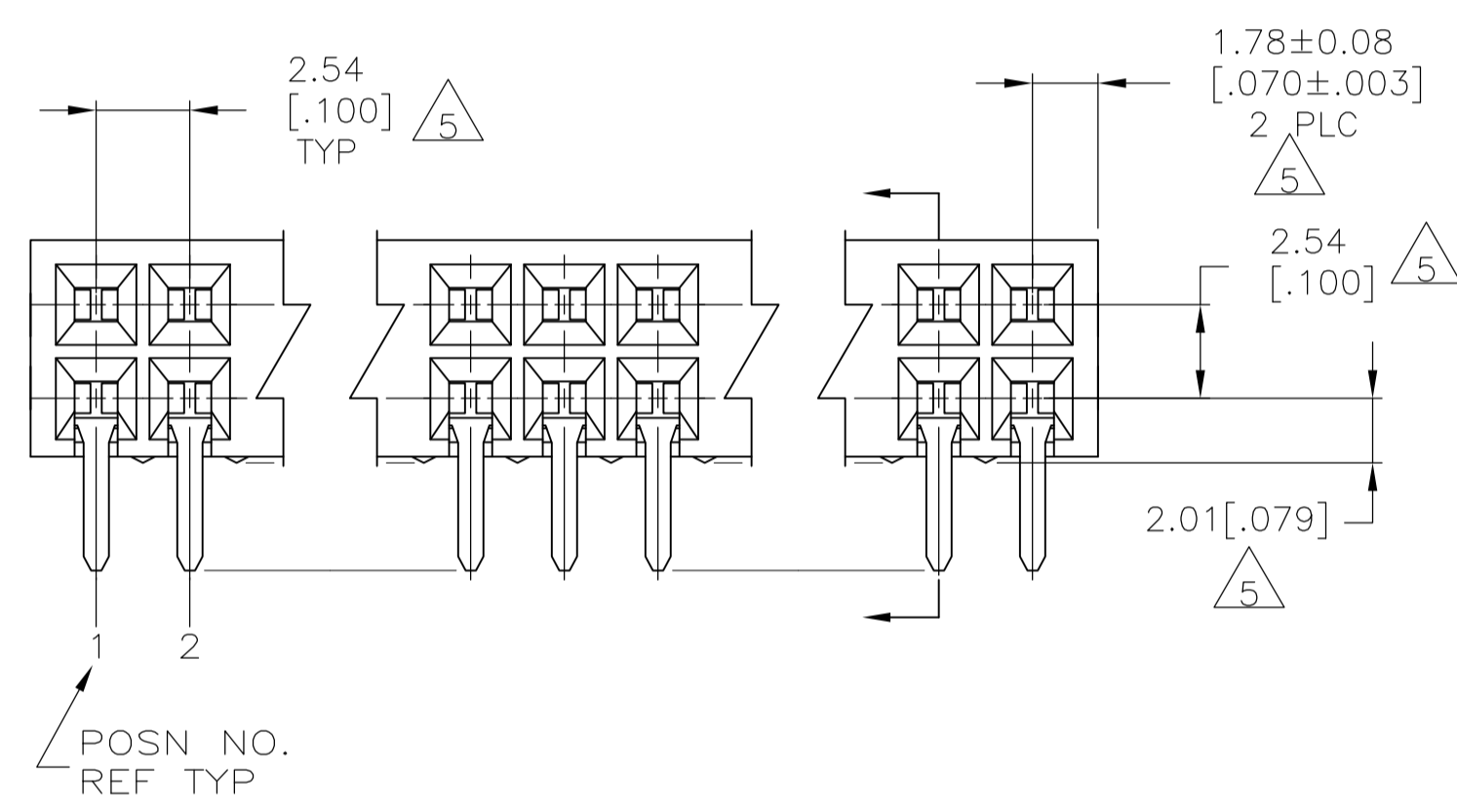
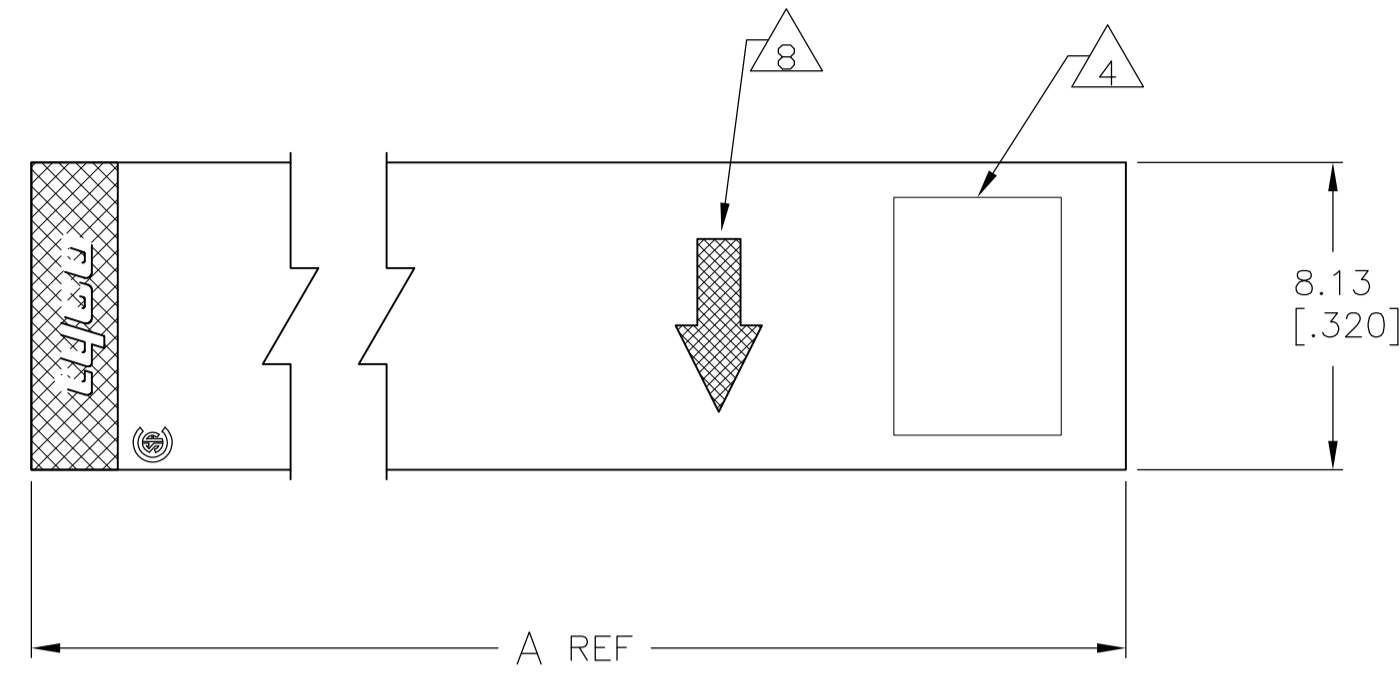


LOC		DIST		REVISIONS			
AD	00	REV	DATE	BY	CHK	APPV	
G	EC 0G3C 0058 05		03MAR05	BSV	JRO		
G1	REVISED PER ECO-09-021826		14SEP09	KK	AEG		



RECOMMENDED PC BOARD LAYOUT

- 1 HOUSING MATERIAL: GLASS-FILLED, FLAME-RETARDANT, POLYESTER.
- 2 CONTACT MATERIAL : PHOSPHOR BRONZE.
- 3 CONTACT FINISH: DUPLEX PLATED .000030 GOLD ON CONTACT AREA, .000150-.000300 BRIGHT TIN-LEAD ON SOLDER LEADS, ALL OVER .000050 MINIMUM NICKEL
- 4 DATE CODE AND PART NUMBER ARE MARKED IN APPROXIMATE LOCATION SHOWN.
- 5 DIMENSIONS PERTAIN TO CAVITY CENTERLINES.
- 6 POINT OF MEASUREMENT FOR PLATING THICKNESS OF CONTACT AREA.
- 7 CONTACTS SHALL MEET AN AVERAGE INSERTION FORCE OF 2.75 OUNCES OR LESS AND MIN WITHDRAWAL FORCE OF 0.5 OUNCES.
- 8 MOLDED IN ARROW DESIGNATES THE MATING FACE OF THE CONNECTOR.
- 9 CONTACT FINISH: DUPLEX PLATED .000030 GOLD ON CONTACT AREA, .000150-.000300 MATTE TIN ON SOLDER LEADS, ALL OVER .000050 MINIMUM NICKEL
- 10 ROHS 2002/95/EC COMPLIANT
- 11 OBSOLETE PARTS: OBSOLETE CIS STREAMLINING PER D.RENAUD/D.SINISI

11	OBSOLETE	9	63.50 [2.500]	67.06 [2.640]	52	10	5-535593-1
		3	63.50 [2.500]	67.06 [2.640]	52		535593-1
	FINISH		B	A	NO OF POSN		PART NUMBER

THIS DRAWING IS A CONTROLLED DOCUMENT.

DIMENSIONS: mm [INCHES]	TOLERANCES UNLESS OTHERWISE SPECIFIED:	DIN R BROWN 9/4/96	APVD J GEFSEFORD 9/4/96	Tyco Electronics Corporation Harrisburg, Pa 17105-3608
0 PLC ± -	1 PLC ± -	2 PLC ± -	3 PLC ± -	4 PLC ± -
ANGLES ± -				
MATERIAL 1 2	FINISH 3 9	SIZE A1	CAGE CODE 00779	DRAWING NO. 535593
CUSTOMER DRAWING		SCALE 5:1	SHEET 1 of 1	REV G1