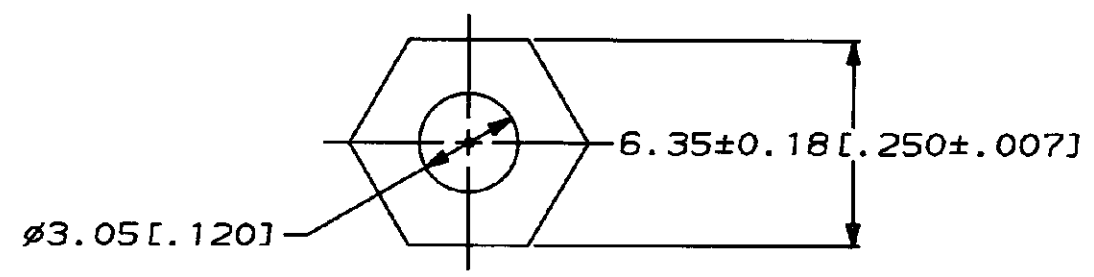
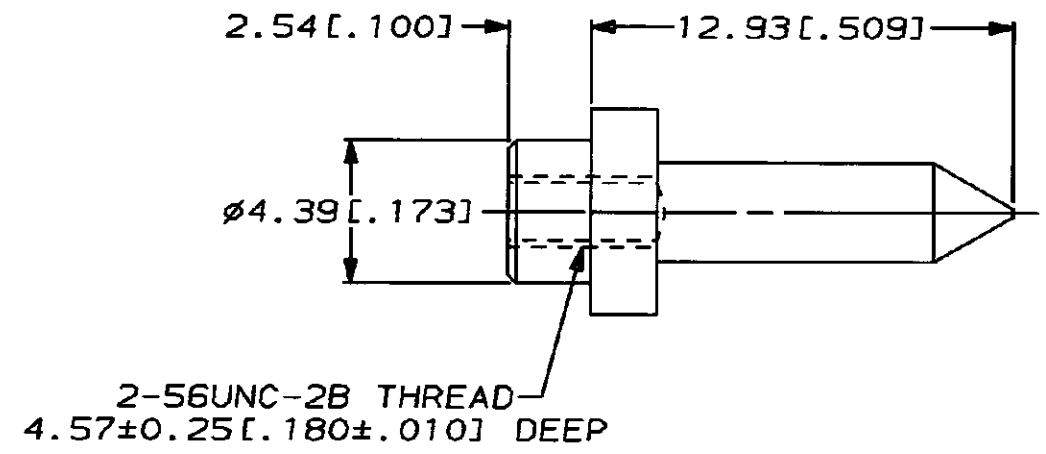


DRAWING MADE IN THIRD ANGLE PROJECTION

THIS DRAWING IS UNPUBLISHED. RELEASED FOR PUBLICATION ,19 .
© COPYRIGHT 19 BY AMP INCORPORATED. ALL INTERNATIONAL RIGHTS RESERVED.

LOC		DIST		REVISIONS				DATE	APPD
P	F	ZONE	LTR	DESCRIPTION					
AD	47		0	RELEASED			1-6-93	JG	



METRIC

THIS DRAWING IS A CONTROLLED DOCUMENT FOR AMP INCORPORATED. IT IS SUBJECT TO CHANGE AND THE CONTROLLING ENGINEERING ORGANIZATION SHOULD BE CONTACTED FOR THE LATEST REVISION.

DO NOT SCALE PRINT. UNLESS SPECIFIED DIMENSIONS IN mm (INCHES) TOLERANCES ON:		DR 1-6-93 J. GERACE	536304-2	
2 PLC DEC ± -		CHK 1-6-93 N. DRASHER	PART NO	
3 PLC DEC ± 0.13(.005)		APPD 1-6-93 B. SIMISI	AMP AMP Incorporated Harrisburg, PA 17105-3608	
ANGLES ± -		APPD 1-6-93 B. SIMISI	NAME	
MATERIAL	STAINLESS STEEL	PRODUCT SPEC	GUIDE PIN, MICRO STRIP	
FINISH	PASSIVATED	108-1272	SIZE	B
		APPLICATION SPEC	CAGE CODE	00779
		WEIGHT	DRAWING NO	C-536304
			SCALE	5:1
			SHEET	1 OF 1