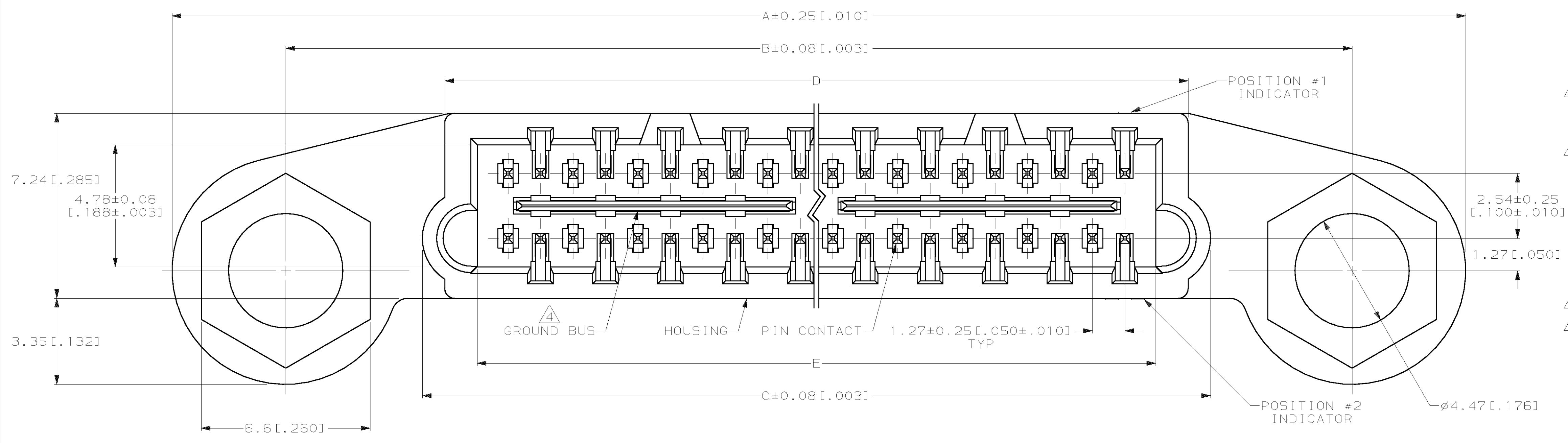
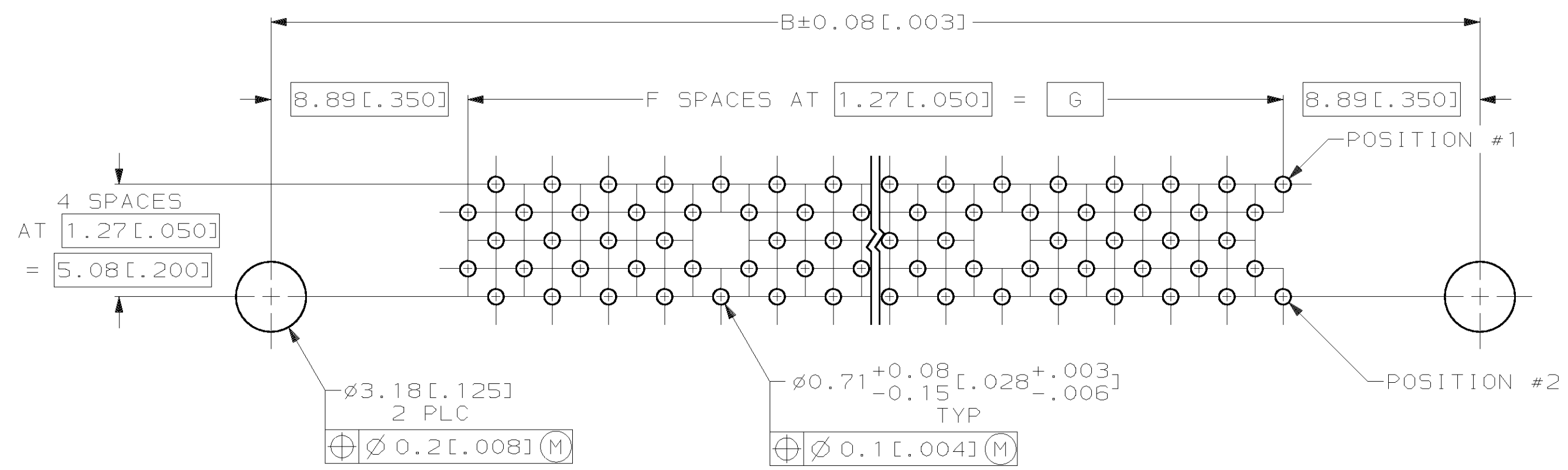
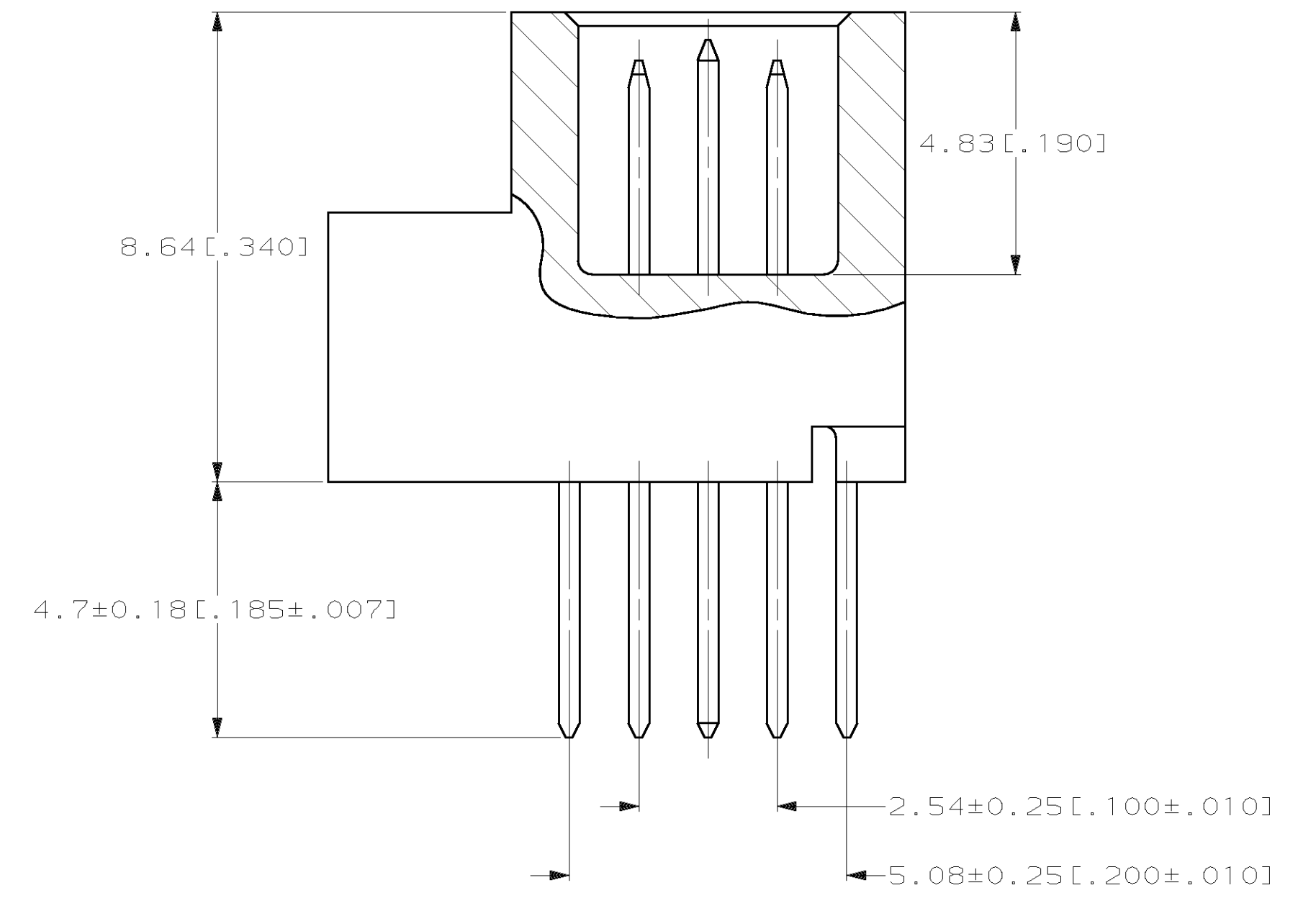
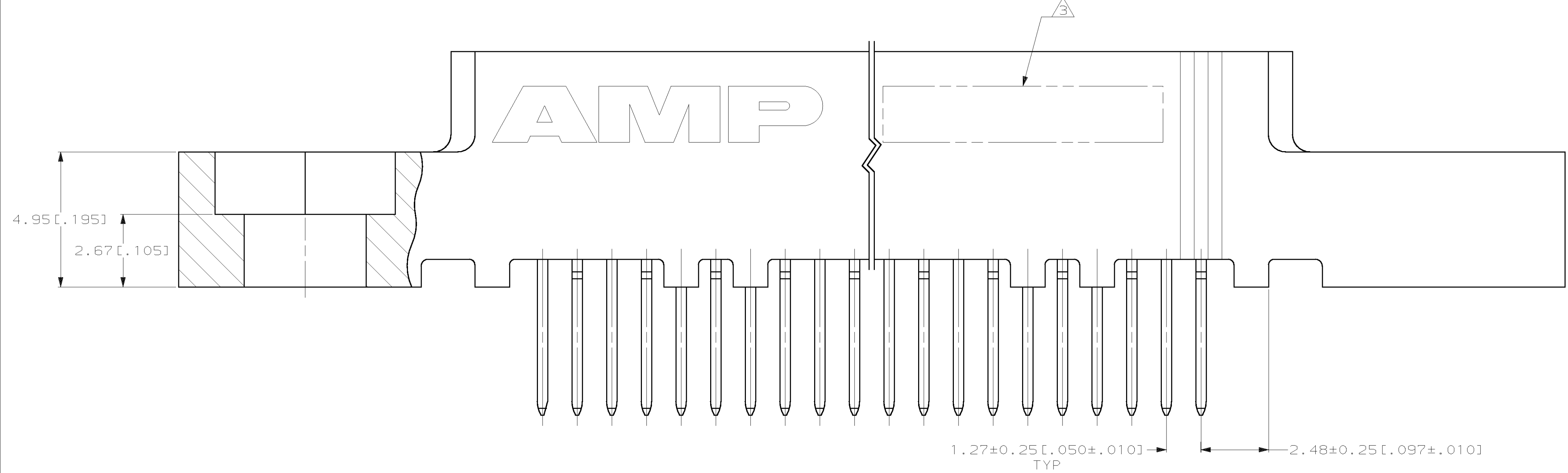


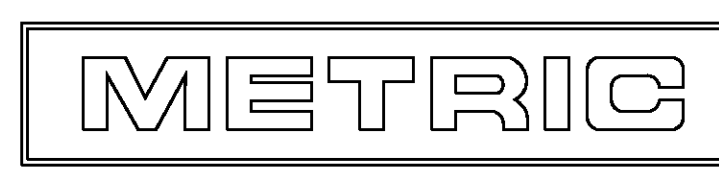
LOC			DIST			REVISIONS		
AD	47	P	F	ZONE	LTR	DESCRIPTION	DATE	APPD
				G		REVISED PER 0512-0476-02	24FEB03	DRD



- △ HOUSING: HIGH TEMPERATURE THERMOPLASTIC, COLOR NATURAL.
PIN CONTACTS: PHOSPHOR BRONZE.
GROUND BUSSES: PHOSPHOR BRONZE.
- △ PIN CONTACTS: 0.00076[.000030] MIN GOLD IN CONTACT AREA, 0.00063-0.00191[.000025-.000075] TIN-LEAD ON SOLDER TAIL, ALL OVER 0.00127-0.00254[.000050-.000100] NICKEL ON ENTIRE CONTACT.
- △ GROUND BUSSES: 0.00076[.000030] MIN GOLD IN CONTACT AREA, 0.00063-0.00191[.000025-.000075] TIN-LEAD ON SOLDER TAIL, ALL OVER 0.00127-0.00254[.000050-.000100] NICKEL ON ENTIRE BUS.
- △ DATE CODE MARKED IN AREA INDICATED.
- △ ONE GROUND BUS WITH 4 TAILS PER EACH 20 PIN CONTACTS.



151.13 [5.950]	119	153.62 [6.048]	156.08 [6.145]	157.84 [6.214]	168.91 [6.650]	177.8 [7.000]	240	536305-6
OBSOLETE 128.43 [5.450]	109	104.92 [5.548]	143.38 [5.645]	145.14 [5.714]	156.21 [6.150]	165.1 [6.500]	220	536305-5
OBSOLETE 125.73 [4.950]	99	128.22 [5.048]	130.68 [5.145]	132.44 [5.214]	143.51 [5.650]	152.4 [6.000]	200	536305-4
OBSOLETE 113.03 [4.450]	89	115.52 [4.548]	117.98 [4.645]	119.74 [4.714]	130.81 [5.150]	139.7 [5.500]	180	536305-3
OBSOLETE 100.33 [3.950]	79	102.82 [4.048]	105.28 [4.145]	107.04 [4.214]	118.11 [4.650]	127 [5.000]	160	536305-2
OBSOLETE 87.63 [3.450]	69	90.12 [3.548]	92.58 [3.645]	94.34 [3.714]	105.41 [4.150]	114.3 [4.500]	140	536305-1
	G	F	E	D	C	B	A	NO. OF POS



DO NOT SCALE PRINT. UNLESS SPECIFIED DIMENSIONS IN mm [INCHES] TOLERANCES ON:	
1 PLC DEC ±	-
2 PLC DEC ±	0.13 [.005]
3 PLC DEC ±	-
ANGLES	±
MATERIAL	△
FINISH	△

DR	1-28-93 J.GERACE	AMP Incorporated Harrisburg, PA 17105-3608
CHK	1-28-93 J.GERACE	
APPD	1-28-93 P.MATAR	
APPD	1-28-93 D.SINISI	NAME PLUG ASSEMBLY WITH GUIDES, 10.92 [.430] STACK, 4.7 [.185] SOLDER TAIL, BOARD TO BOARD, MICRO-STRIP
PRODUCT SPEC	108-1272	SIZE D
APPLICATION SPEC	-	CAGE CODE 00779
WEIGHT	-	DRAWING NO. C-536305
		SCALE 10:1
		SHEET 1 OF 1

THIS DRAWING IS A CONTROLLED DOCUMENT FOR AMP INCORPORATED. IT IS SUBJECT TO CHANGE AND THE CONTROLLING ENGINEERING ORGANIZATION SHOULD BE CONTACTED FOR THE LATEST REVISION.