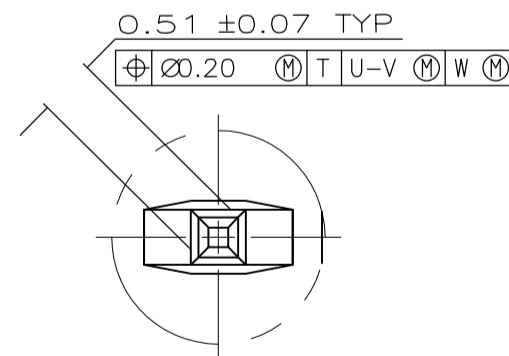
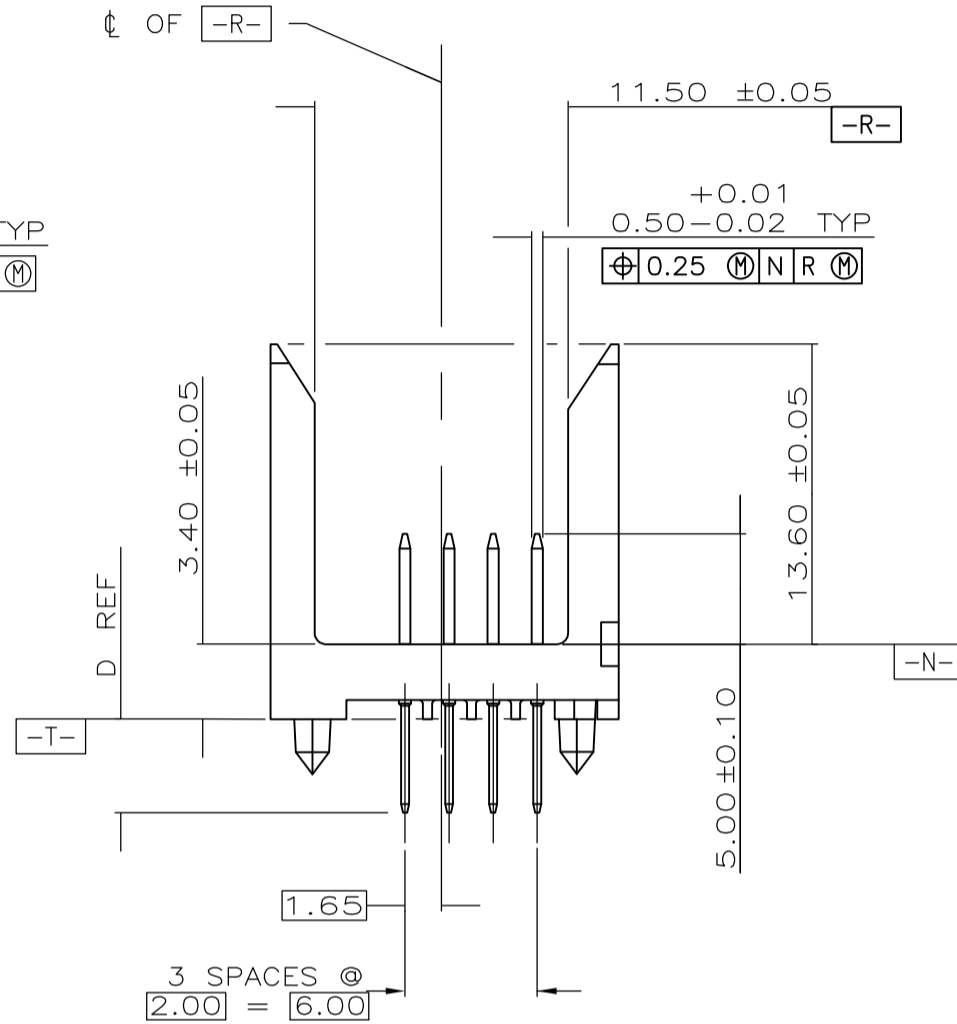
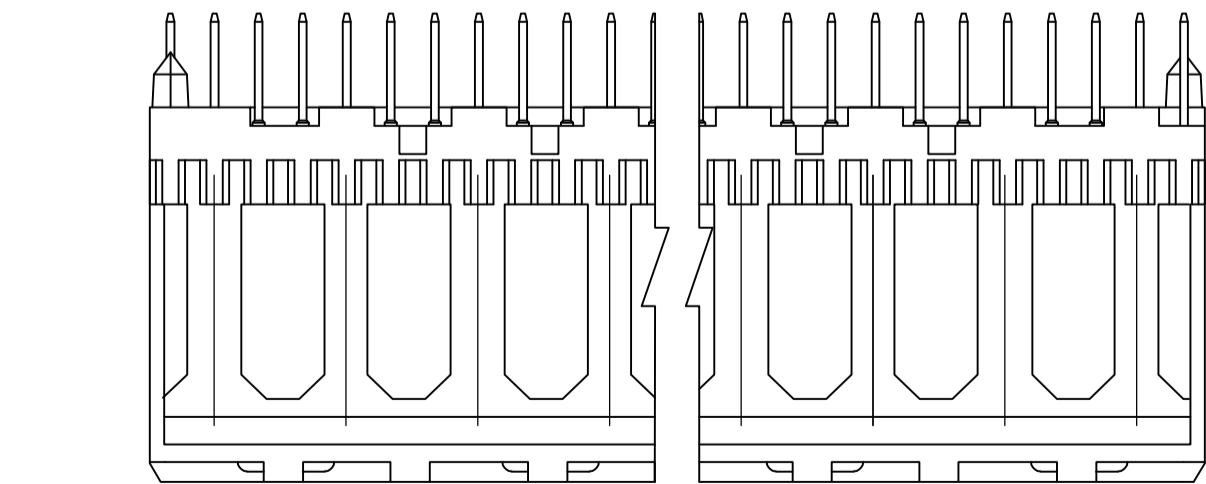
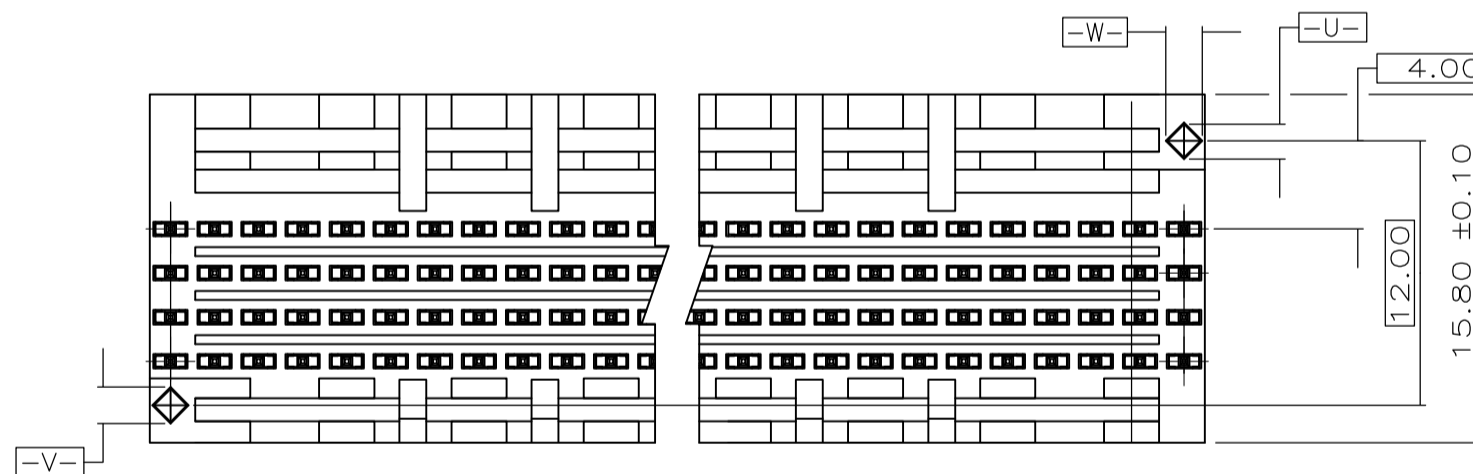
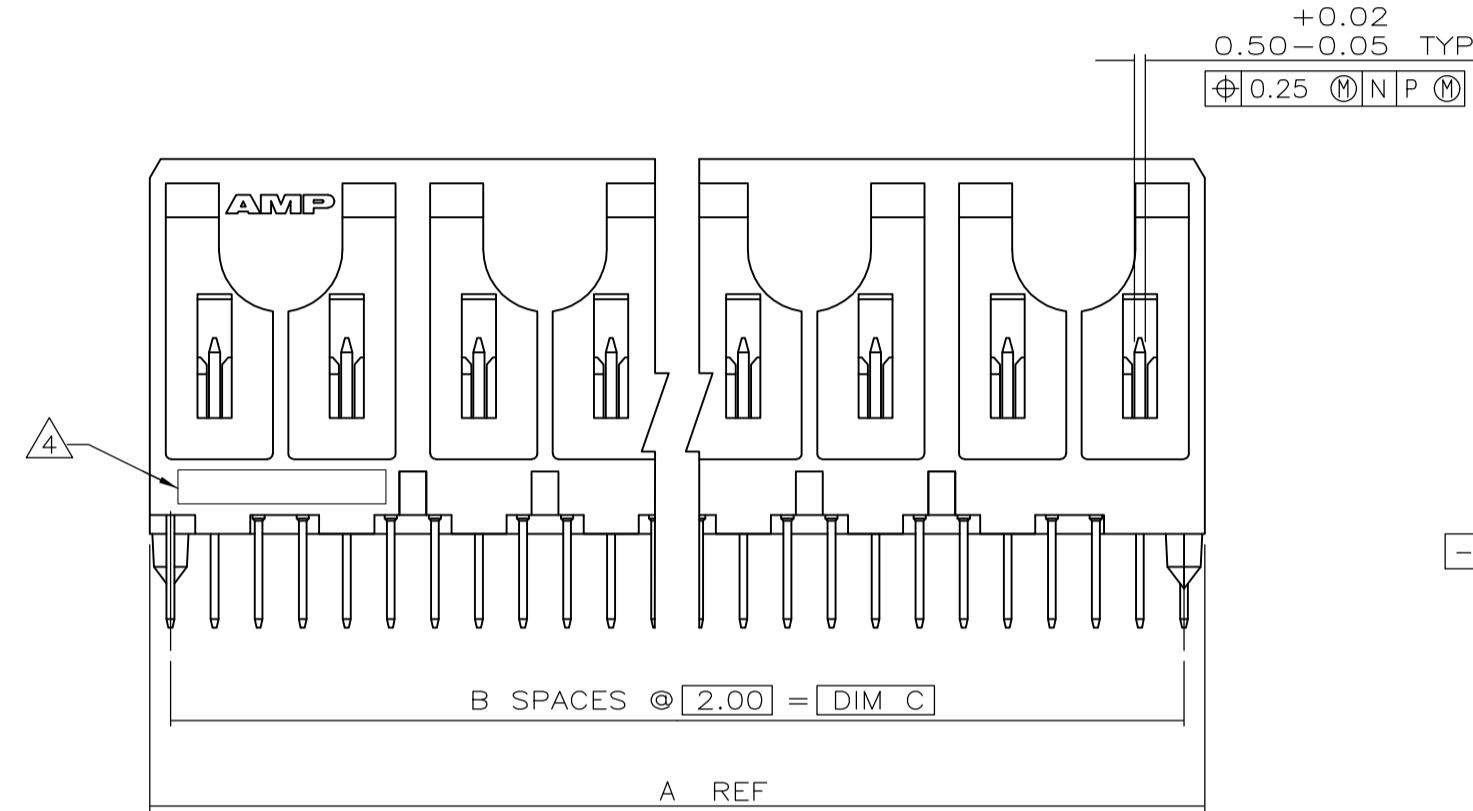
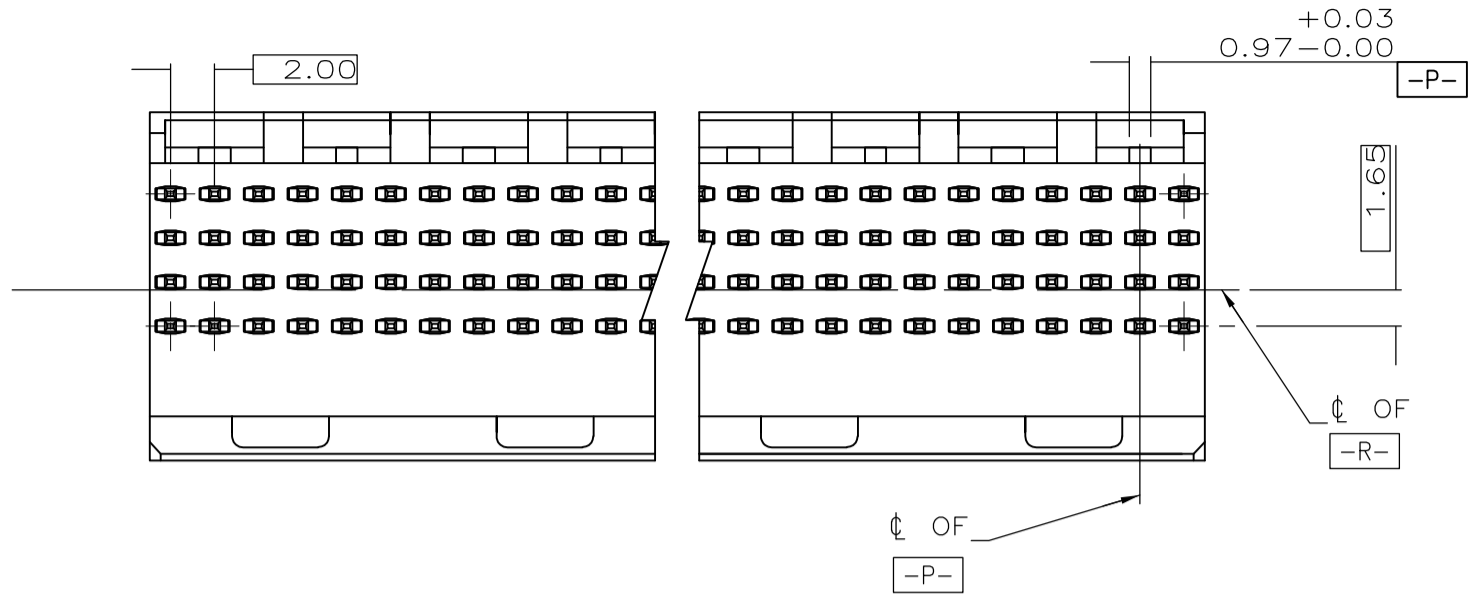


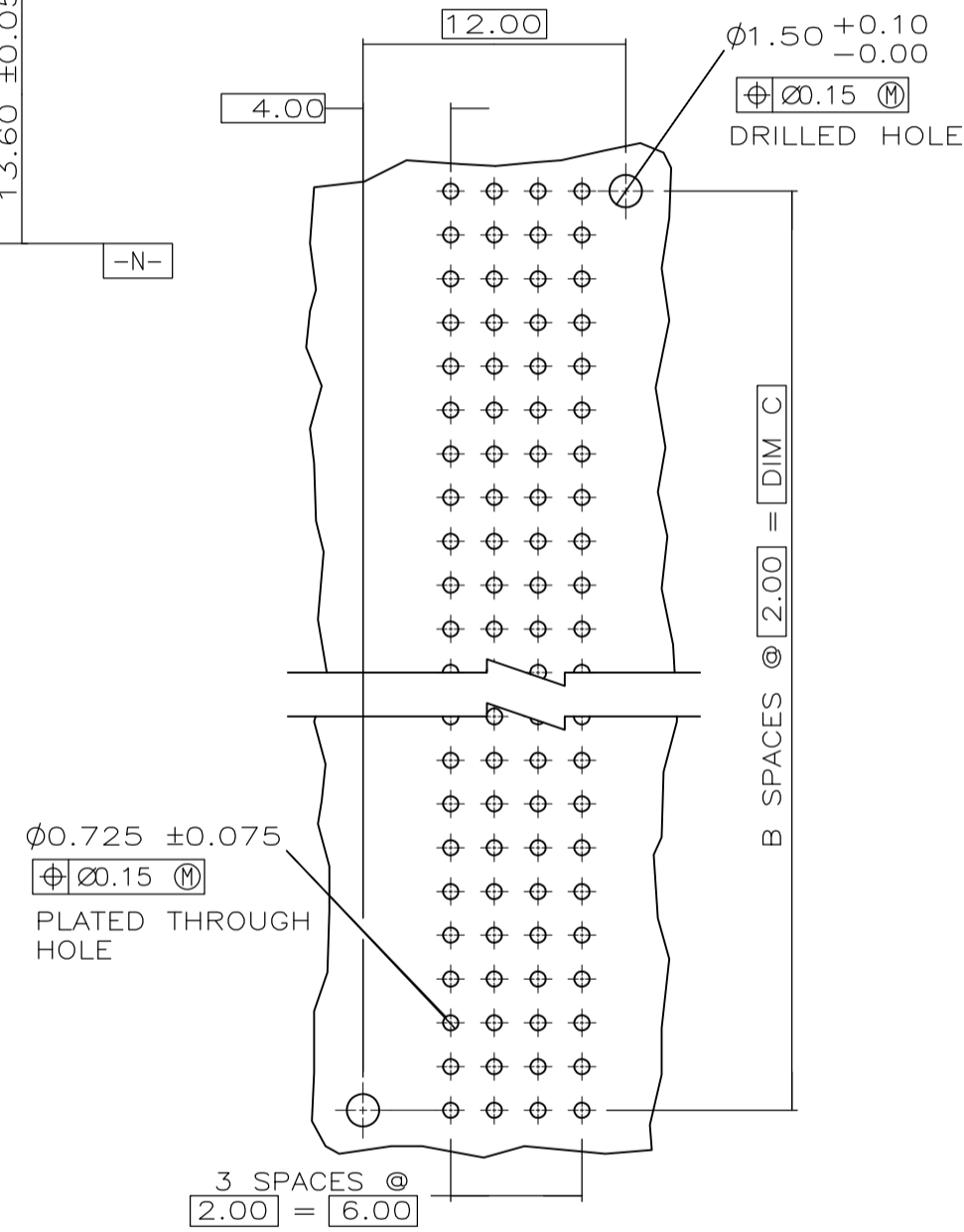
THIS DRAWING IS UNPUBLISHED. RELEASED FOR PUBLICATION  
 © COPYRIGHT BY TYCO ELECTRONICS CORPORATION. ALL INTERNATIONAL RIGHTS RESERVED.

LOC		DIST		REVISIONS			
P	LTR	DESCRIPTION	DATE	DWN	APVD		
AD	47	M1	REVISED PER ECO-08-019086	05DEC08	DH	AS	



DETAIL Z  
SCALE 20:1

- 1 HOUSING MATERIAL: LIQUID CRYSTAL POLYMER PER ASTM D5138 LCPO00 G30A 32250.
- 2 CONTACT MATERIAL: PHOSPHOR BRONZE.
- 3 CONTACT FINISH:  
 UNDERPLATE (ENTIRE CONTACT):  
 0.00127 MIN NICKEL.  
 ON MATING SURFACES:  
 CONFORMS TO ALL TESTING SPECIFIED FOR TELCORDIA  
 UNCONTROLLED ENVIRONMENT.  
 ON LEADS  
 0.00381 MIN TIN-LEAD OVER UNDERPLATE.  
 LUBRICATION (ENTIRE CONTACT):  
 SURFACE CONDITIONER PER AMP SPEC 112-1002 AFTER PLATING.
- 4 PART MARKING PER AMP INCORPORATED SPECIFICATION 115-9009, LOCATED APPROXIMATELY AS SHOWN.



RECOMMENDED CIRCUIT PATTERN  
 PER IPC-D300 TYPE II, CLASS C  
 (COMPONENT SIDE)

4.25	70.00	35	71.88	3	144	536513-5
4.25	94.00	47	95.88	3	192	536513-4
4.25	46.00	23	47.88	3	96	536513-3
4.25	22.00	11	23.88	3	48	536513-2
4.25	10.00	5	11.88	3	24	536513-1
D	C	B	A	FINISH	NO OF POSN	NUMBER

THIS DRAWING IS A CONTROLLED DOCUMENT.		DWN	04/01/93	Tyco Electronics Corporation Harrisburg, PA 17105-3608		
DIMENSIONS: mm		CHK	04/05/93	NAME		
TOLERANCES UNLESS OTHERWISE SPECIFIED:		APVD	04/02/93	D.BAFCHTLE		
0 PLC	± -	PRODUCT SPEC		PIN ASSEMBLY, SIGNAL MODULE, Z-PACK 2mm FB		
1 PLC	± -	APPLICATION SPEC		2mm		
2 PLC	± 0.13	WEIGHT		SIZE	CAGE CODE	DRAWING NO
3 PLC	± -	MATERIAL		A2	00779	C=536513
4 PLC	± -	FINISH		RESTRICTED TO		
ANGLES	± -	CUSTOMER DRAWING		SCALE	SHEET	REV
				4:1	1 of 1	M1