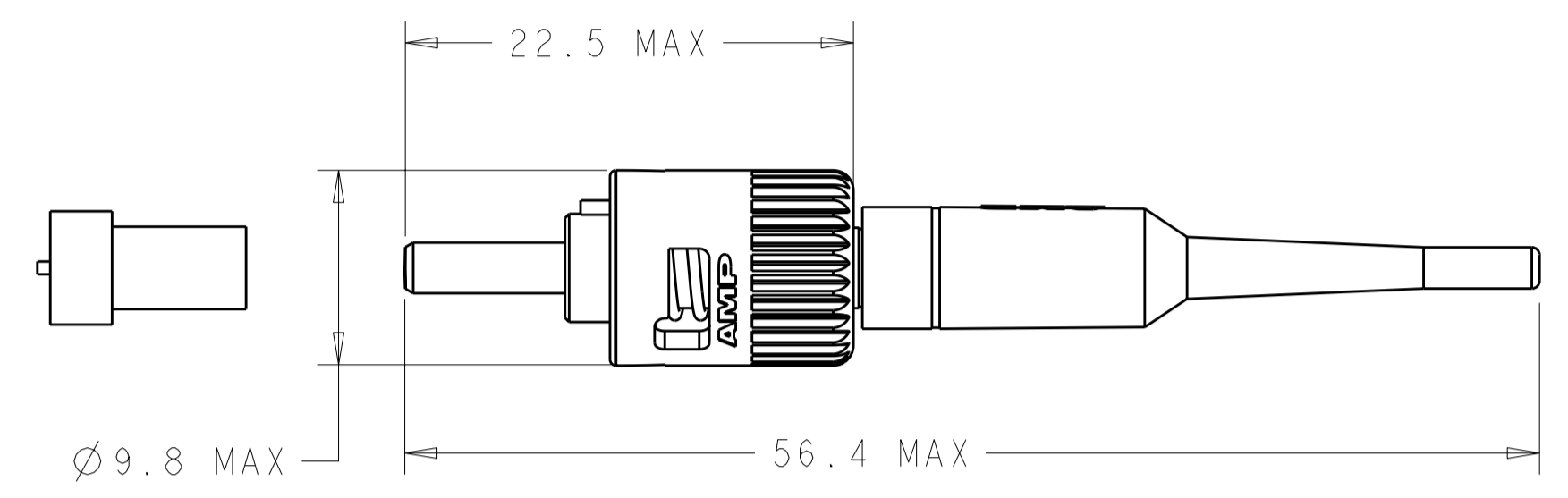
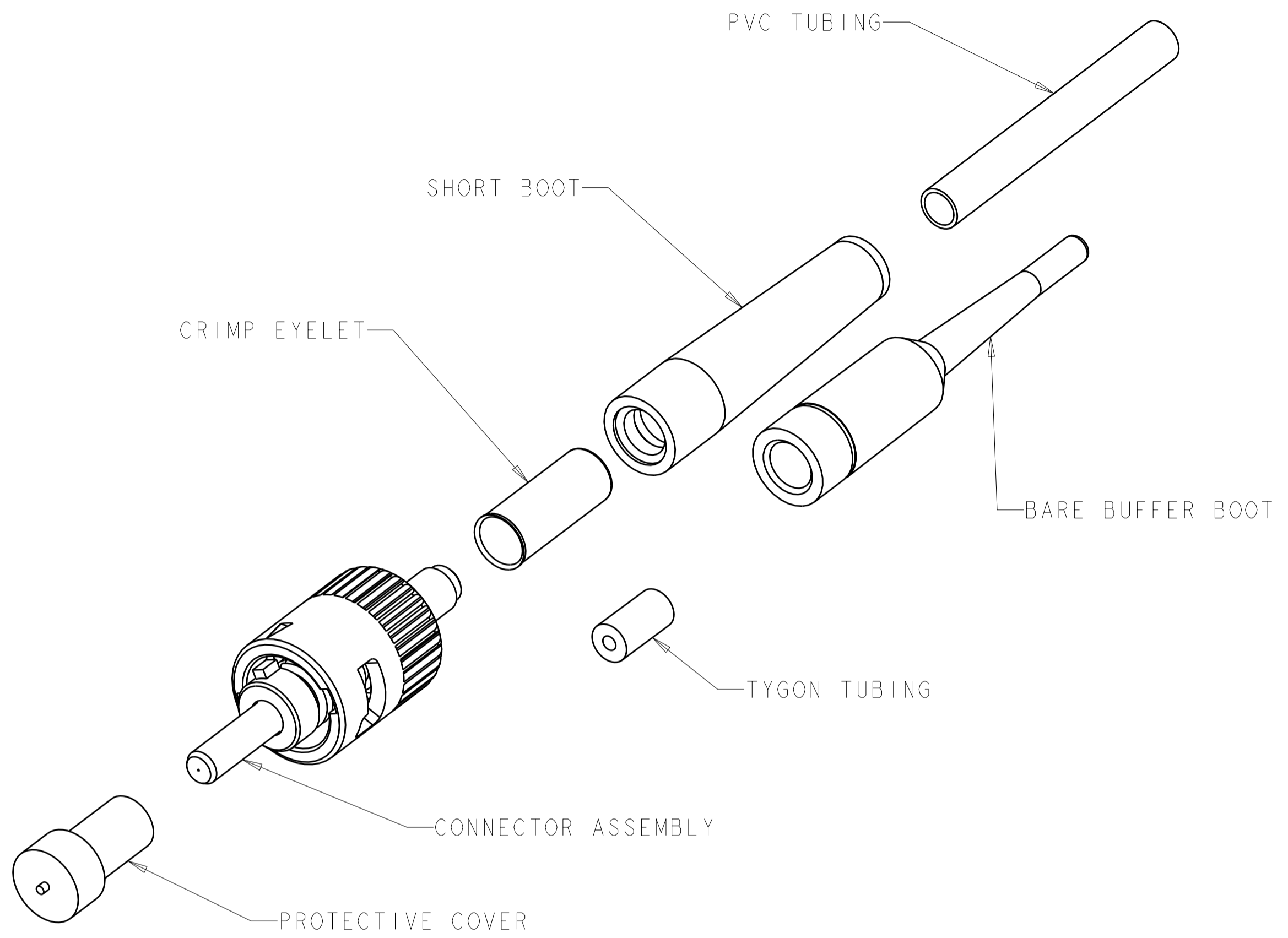
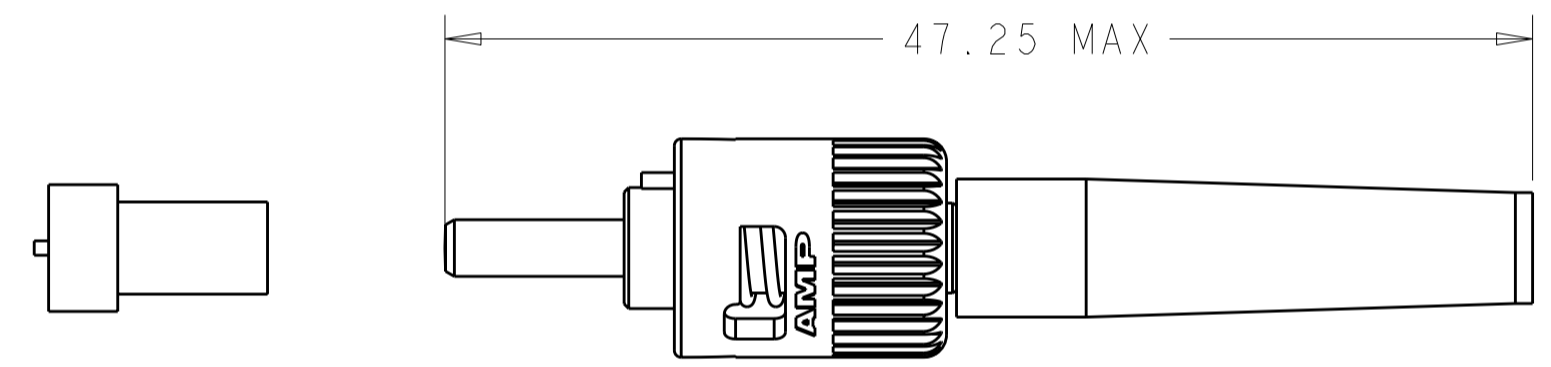


THIS DRAWING IS UNPUBLISHED. RELEASED FOR PUBLICATION 20
 © COPYRIGHT 20 BY TYCO ELECTRONICS CORPORATION. ALL RIGHTS RESERVED.

LOC	DIST	REVISIONS			
P	LTR	DESCRIPTION	DATE	DWN	APVD
CE	00	B	REVISE PER ECR-06-003181	09FEB2006	BB SB
		C	REVISE PER ECR-06-021451	13SEPT2006	BB SB
		CI	ADD NOTE 5	160MAR09	JZ RZ



ASSEMBLED CONNECTOR (BOOT BUFFER BOOT)



ASSEMBLED CONNECTOR (SHORT BOOT)

- 1 BULK PACKAGED.
- 2 MATERIAL:
 PROTECTIVE COVER: LDPE, COLOR: BLACK, NON-FR.
 CONNECTOR ASSEMBLY:
 FERRULE ASSEMBLY: CERAMIC/NICKEL PLATED BRASS
 SPRING: STAINLESS STEEL
 COUPLING NUT: ZINC
 RETENTION RING: STAINLESS STEEL
 CRIMP EYELET: TIN PLATED COPPER
 SHORT BOOT: TPE, SEE DASH NUMBERS FOR COLOR*
 BARE BUFFER BOOT: TPE, SEE DASH NUMBERS FOR COLOR*
 TUBING: PVC, COLOR: BLACK, NON-FR.
 TUBING: TYGON, COLOR: CLEAR.
 *UL94 V-0 RATED AT QUALIFYING THICKNESS.
- 3 NO CRIMP EYELET.
- 4 PVC TUBING INCLUDED.

5. INSTRUCTION SHEET: 408-9971 AVAILABLE FOR DOWNLOAD AT
www.tycoelectronics.com/documents OR www.ampnetconnect.com/foguide.

4 1	-	BLACK	125um	5492458-9
4 1	-	RED	125	5492458-8
1	-	RED	125	5492458-7
3 1	-	-	125	5492458-5
1	-	-	125	5492458-3
1	-	BLACK	125	5492458-2
	BLACK	BLACK	125	5492458-1
	BARE BUFFER BOOT	SHORT BOOT	SIZE	PART NUMBER

<small>THIS DRAWING IS A CONTROLLED DOCUMENT FOR TYCO ELECTRONICS CORPORATION. IT IS SUBJECT TO CHANGE AND THE CONTROLLING ENGINEERING ORGANIZATION SHOULD BE CONTACTED FOR THE LATEST REVISION.</small>		DWN B. BRIGGS 27APR2005 CHK S. BUCHTER 27APR2005 APVD S. BUCHTER 27APR2005	Tyco Electronics Corporation Shanghai, China
DIMENSIONS: mm 	TOLERANCES UNLESS OTHERWISE SPECIFIED: 0 PLC ± 1 PLC ±0.1 2 PLC ±0.02 3 PLC ±0.005 4 PLC ±0.0005 ANGLES ± FINISH	PRODUCT SPEC APPLICATION SPEC WEIGHT CUSTOMER DRAWING	NAME KIT, CONNECTOR, 2.5mm BAYONET MULTIMODE CERAMIC SIZE A2 CAGE CODE 00779 DRAWING NO. 5492458 RESTRICTED TO SCALE 7:2 SHEET 1 OF 1 REV CI