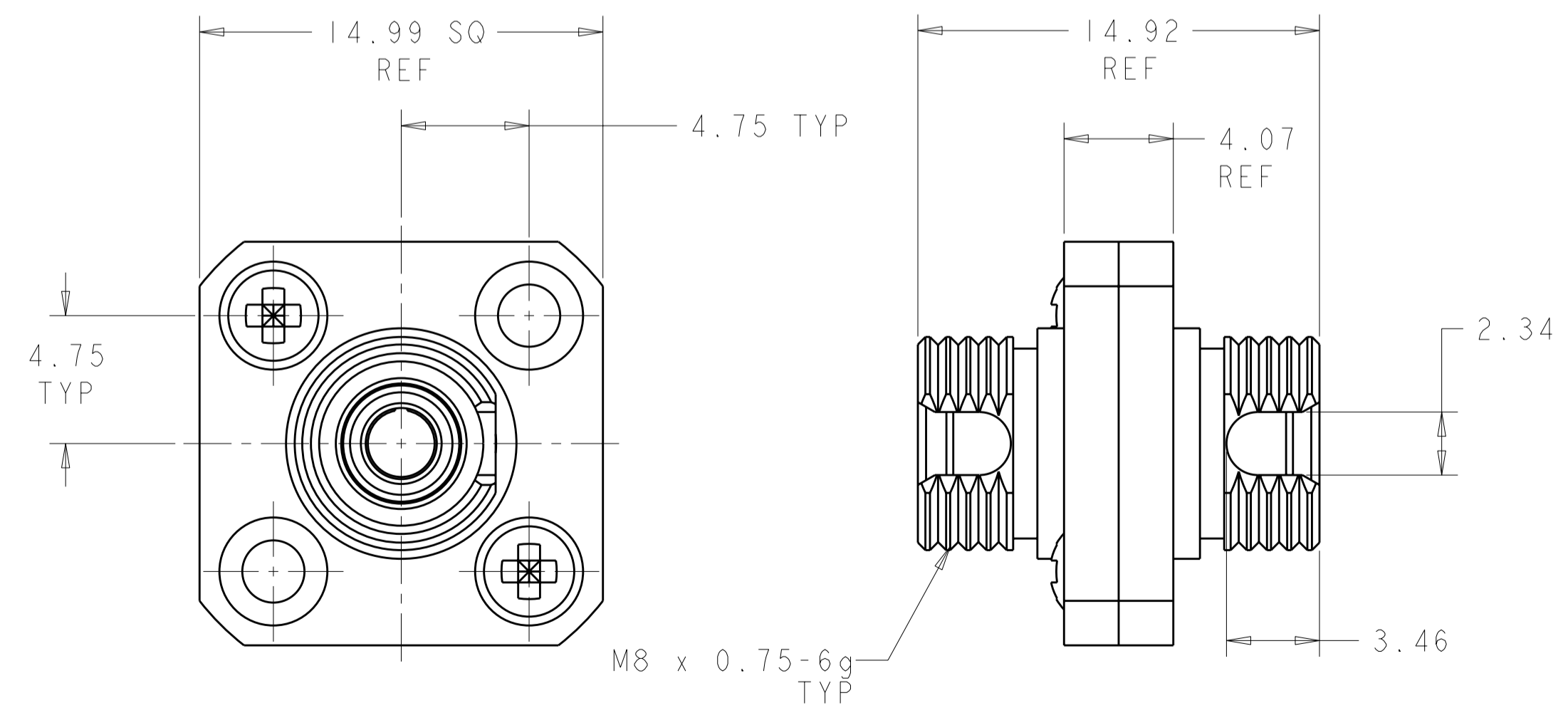
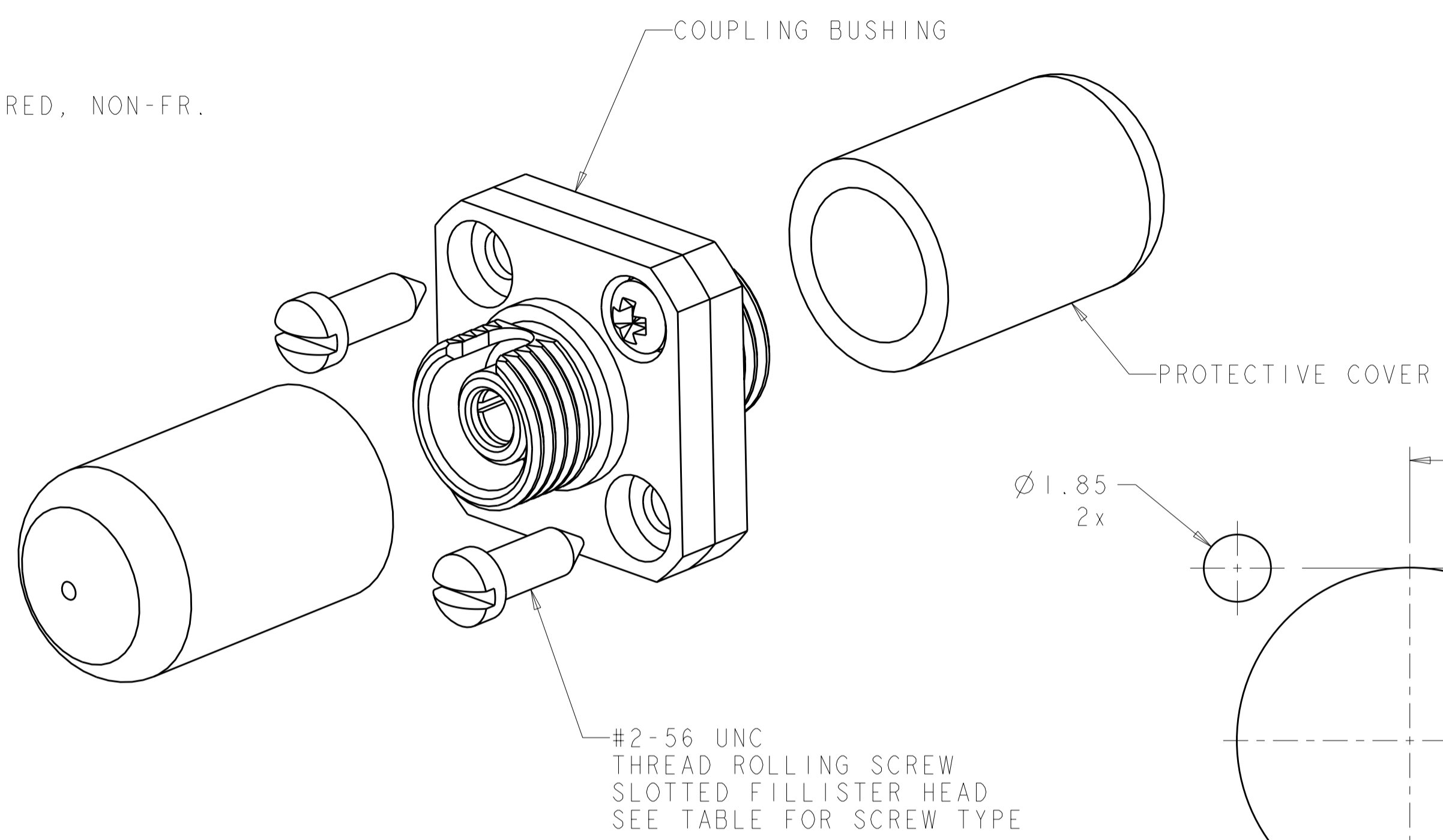


THIS DRAWING IS UNPUBLISHED. RELEASED FOR PUBLICATION 20  
 © COPYRIGHT 20 BY TYCO ELECTRONICS CORPORATION. ALL RIGHTS RESERVED.

LOC	DIST	REVISIONS			
P	LTR	DESCRIPTION	DATE	DWN	APVD
CE	00	A	RELEASE TO ACTIVE	06JUN2006	BB SM

1 BULK PACKAGE.

2 MATERIAL:  
 HOUSING: NICKEL PLATED BRASS  
 SLEEVE: PHOSPHOR BRONZE  
 SLEEVE: ZIRCONIA  
 SCREW: STAINLESS STEEL  
 PROTECTIVE COVER: PVC, COLOR: RED, NON-FR.



1	NO SCREWS SUPPLIED	METAL	5501506-7
1	NO SCREWS SUPPLIED	CERAMIC	5501506-5
	SLOTTED FILLISTER HEAD	METAL	5501506-2
	SLOTTED FILLISTER HEAD	CERAMIC	5501506-1
	SCREW TYPE	ALIGNMENT SLEEVE	PART NUMBER

DIMENSIONS:		TOLERANCES UNLESS OTHERWISE SPECIFIED:		DWN		tyco	
mm		0 PLC	±	B. BRIGGS	08AUG2005	Tyco Electronics	
		1 PLC	±	CHK	08AUG2005	Harrisburg, PA 17105-3608	
		2 PLC	±	S. MILLER	08AUG2005	NAME	
		3 PLC	±	APVD	08AUG2005	ADAPTER KIT, FC	
		4 PLC	±	S. BUCHTER		SIZE	
		ANGLES	±			CAGE CODE	
		FINISH	±			DRAWING NO	
MATERIAL						RESTRICTED TO	
						A200779C-5501506	
						SCALE	
						5:1	
						SHEET	
						OF	
						REV	
						A	