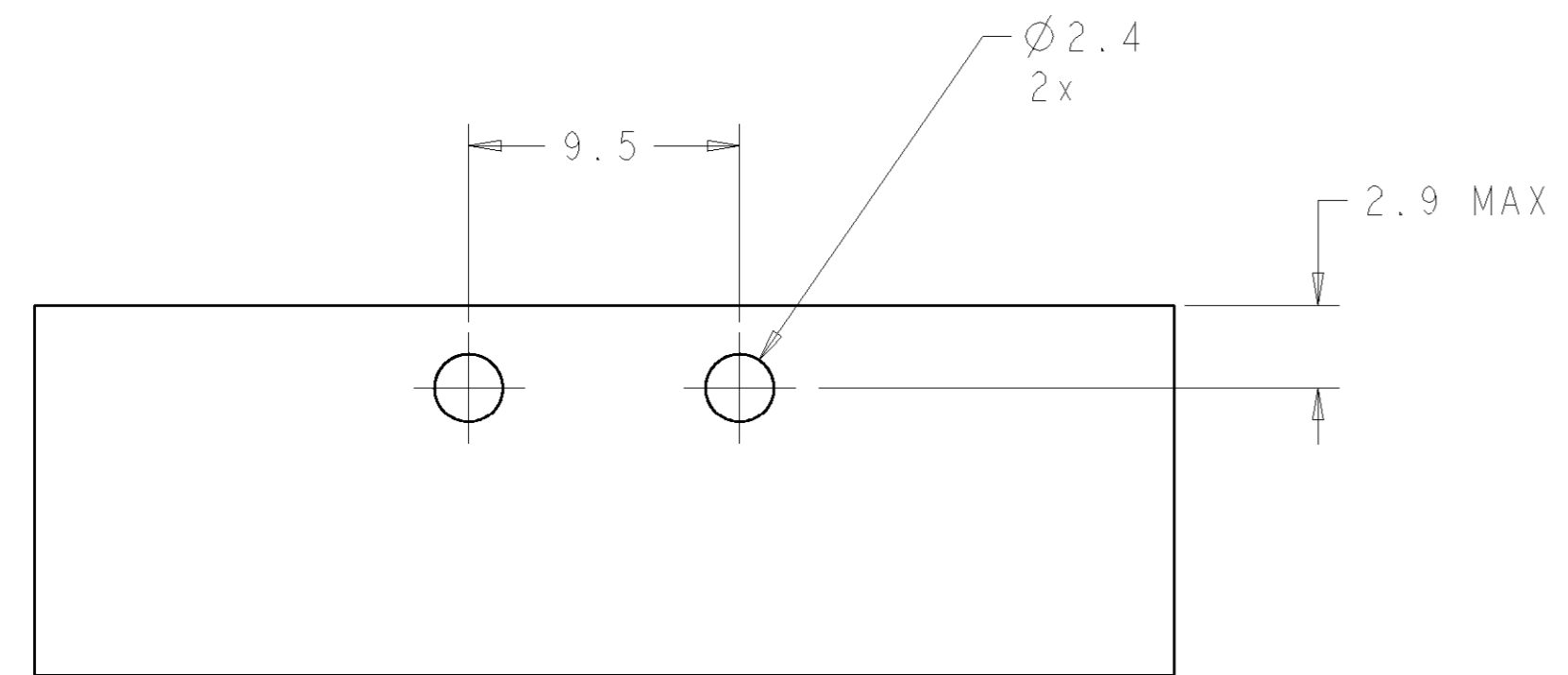
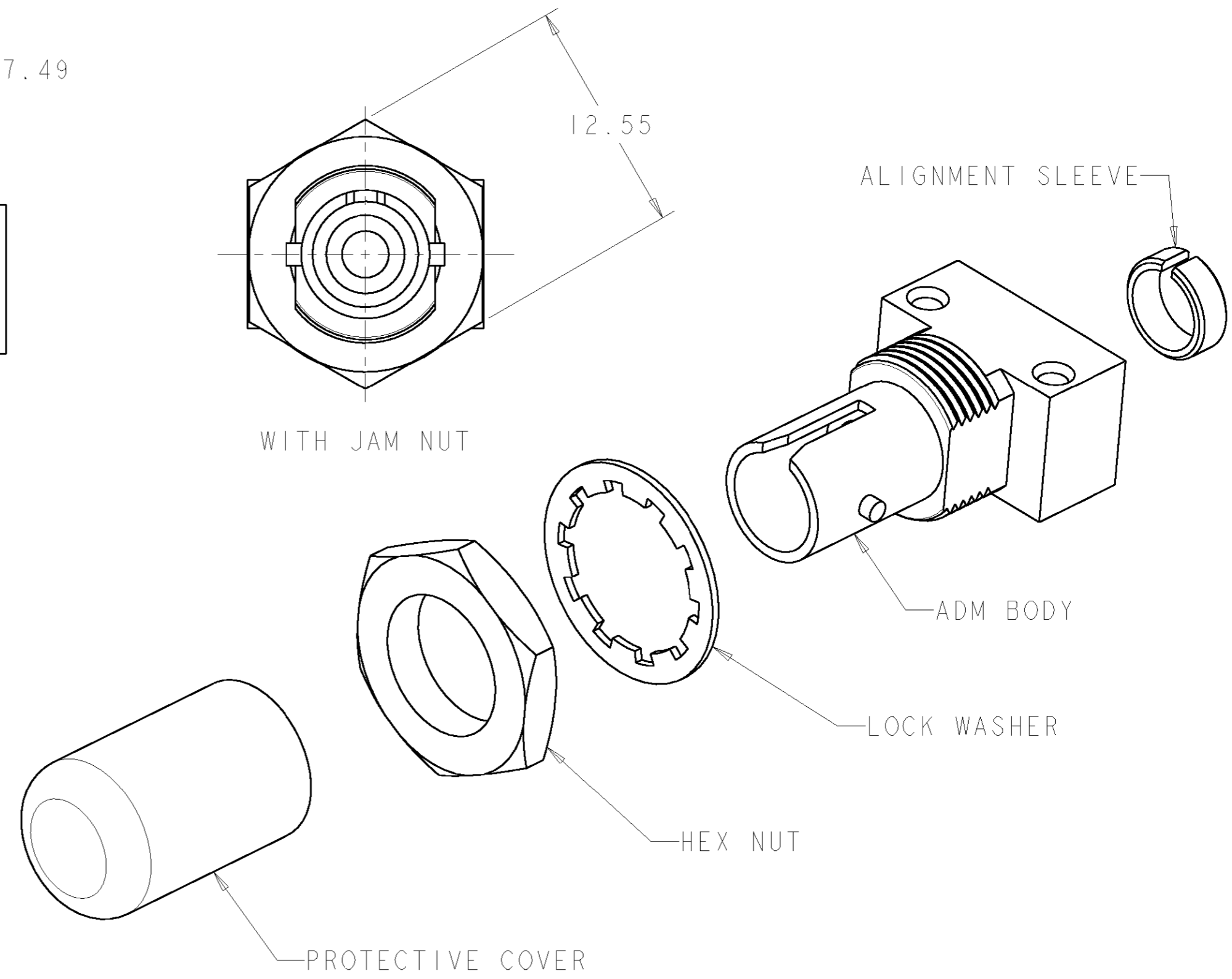
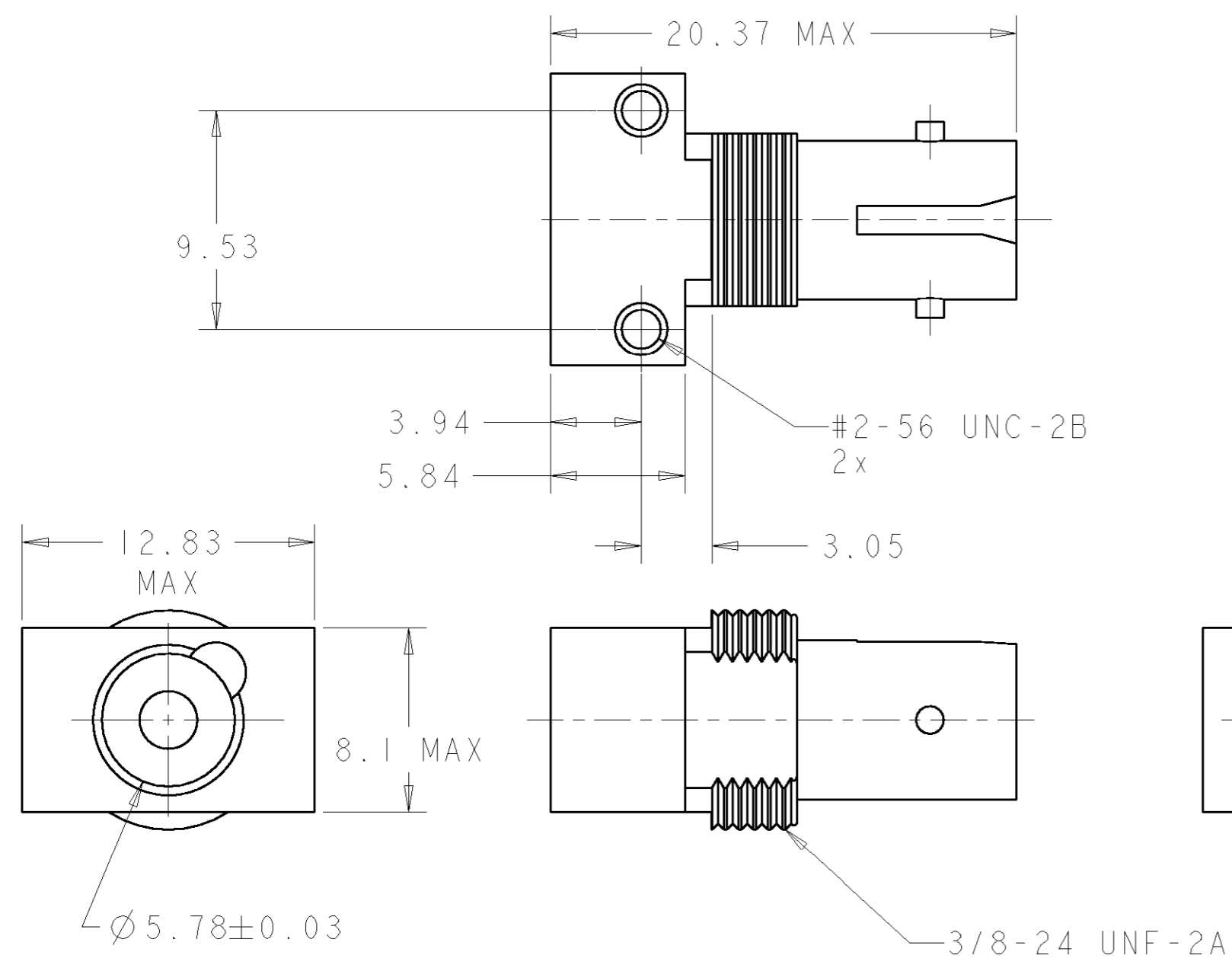
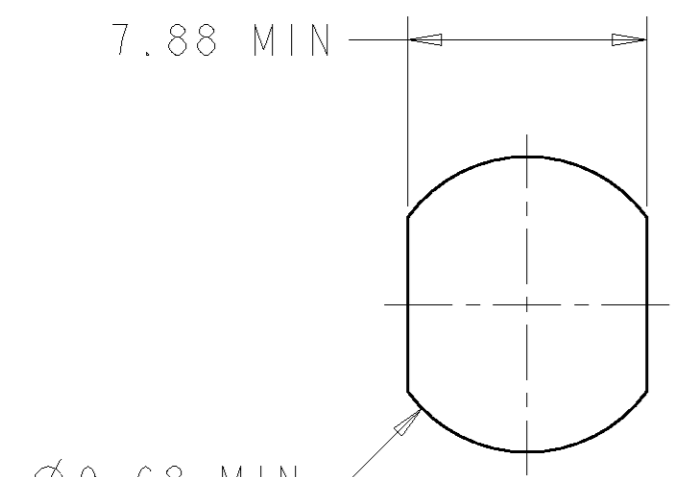


THIS DRAWING IS UNPUBLISHED. RELEASED FOR PUBLICATION 20
 © COPYRIGHT 20 BY TYCO ELECTRONICS CORPORATION. ALL RIGHTS RESERVED.

LOC	DIST	REVISIONS					
CE	00	P	LTR	DESCRIPTION	DATE	DWN	APVD
			A	RELEASE RoHS COMPLIANT PART	21APR2005	BB	SB



PC BOARD MOUNTING HOLE PATTERN



SUGGESTED PANEL CUTOUT

- 1 BULK PACKAGED.
- 2 MATERIAL:
 PROTECTIVE COVER: PVC, COLOR: RED, NON-FR
 HEX NUT: NICKEL PLATED BRASS
 LOCK WASHER: STAINLESS STEEL
 ADM BODY: NICKEL PLATED ZINC
 ALIGNMENT SLEEVE: PBT, COLOR: BLACK,
 UL94 V-0 RATED AT
 QUALIFYING THICKNESS

5504022-3
5504022-2
PART NUMBER

THIS DRAWING IS A CONTROLLED DOCUMENT FOR TYCO ELECTRONICS CORPORATION IT IS SUBJECT TO CHANGE AND THE CONTROLLING ENGINEERING ORGANIZATION SHOULD BE CONTACTED FOR THE LATEST REVISION.		DWN B. BRIGGS 21APR2005	Tyco Electronics Harrisburg, PA 17105-3608	
DIMENSIONS: mm		CHK S. BUCHTER 21APR2005	NAME ADM KIT, BAYONET	
TOLERANCES UNLESS OTHERWISE SPECIFIED: 0 PLC ± 1 PLC ± 2 PLC ±0.13 3 PLC ± 4 PLC ± ANGLES ± FINISH		APVD S. BUCHTER 21APR2005	RESTRICTED TO	
MATERIAL		PRODUCT SPEC -	SIZE A200779	CAGE CODE C-5504022
2		APPLICATION SPEC -	DRAWING NO 5504022	REV A
CUSTOMER DRAWING		WEIGHT -	SCALE 4:1	SHEET 1 OF 1