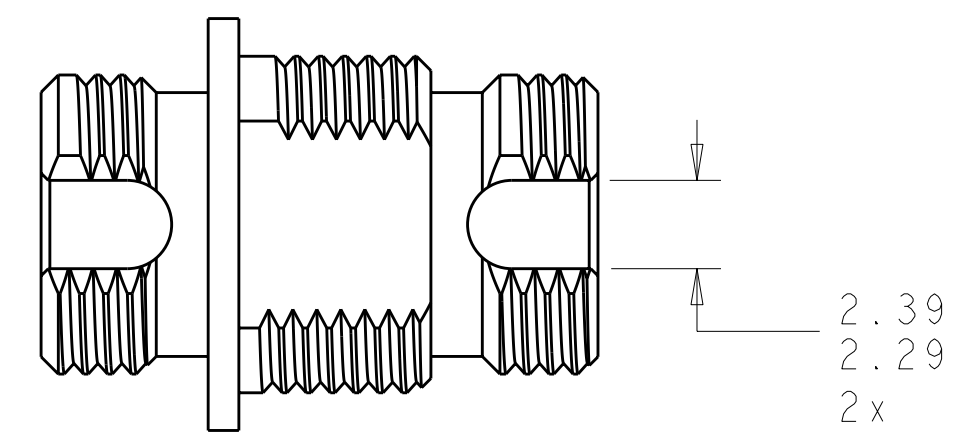
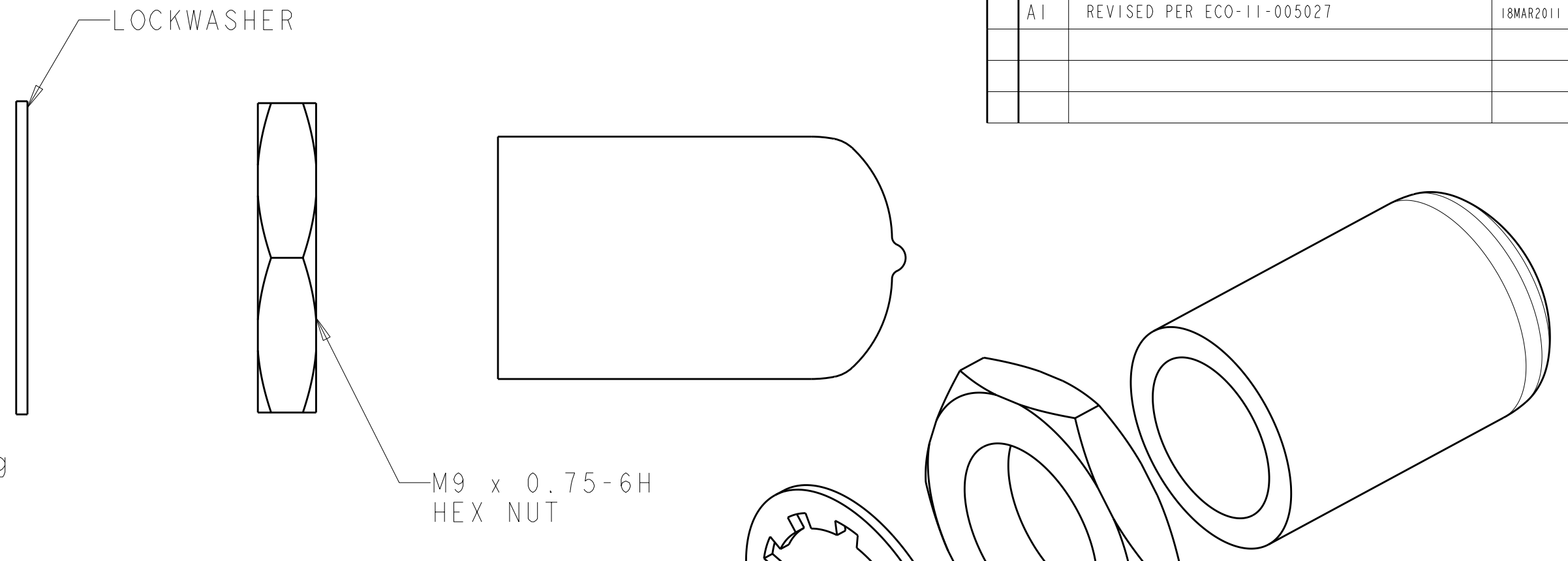
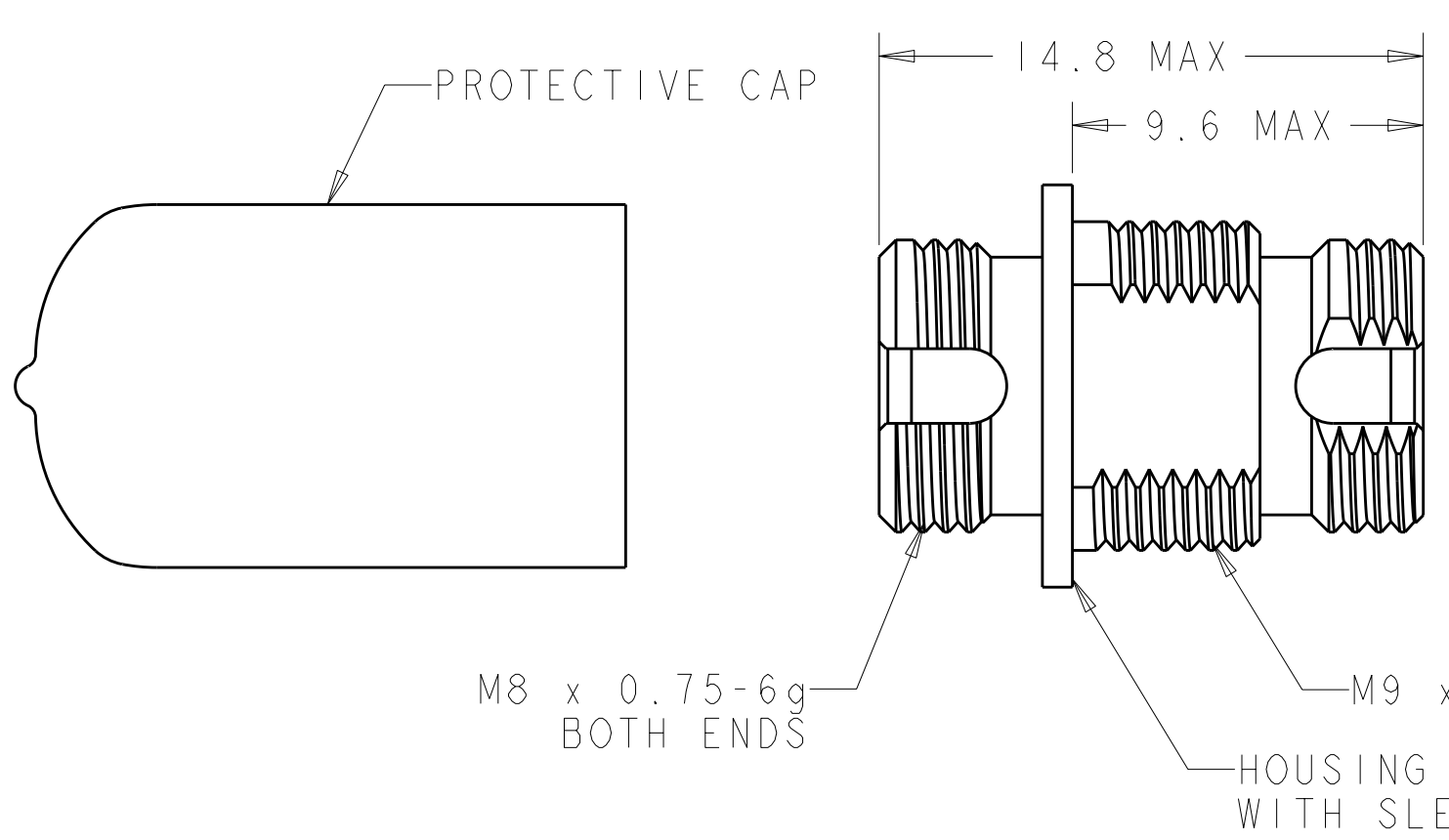
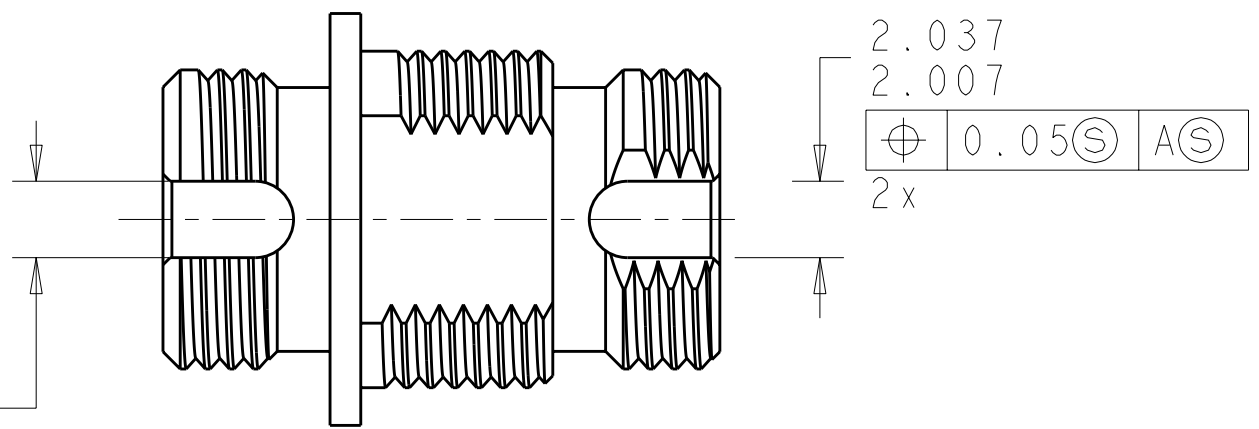


THIS DRAWING IS UNPUBLISHED. RELEASED FOR PUBLICATION 20
 © COPYRIGHT 20 BY - ALL RIGHTS RESERVED.

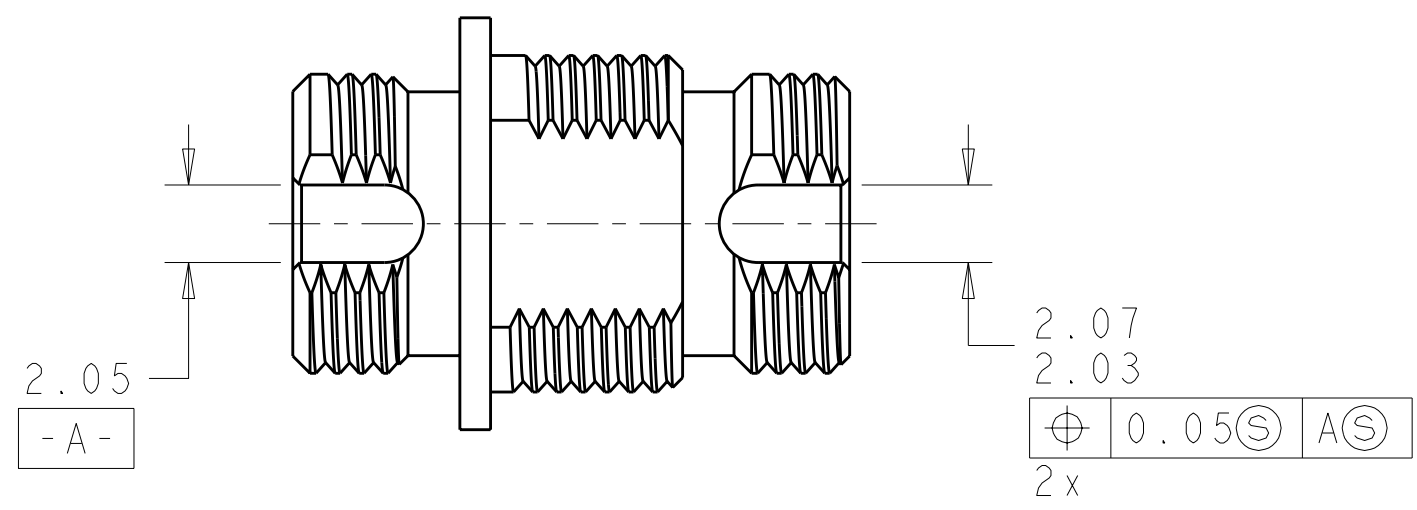
LOC	DIST	REVISIONS					
CE	00	P	LTR	DESCRIPTION	DATE	DWN	APVD
		AI		REVISED PER ECO-11-005027	18MAR2011	RK	HMR



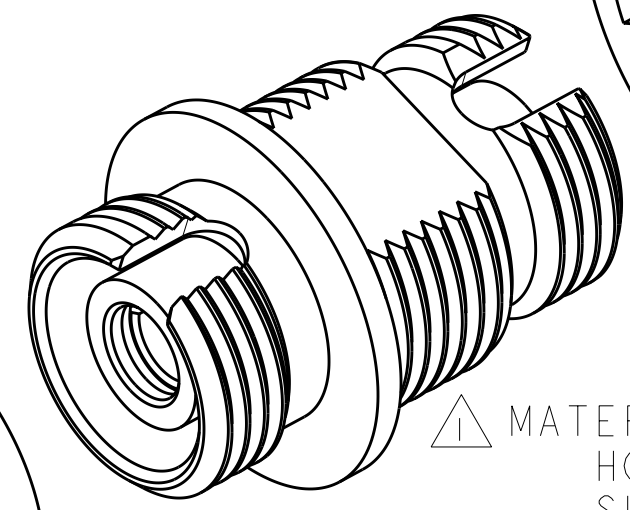
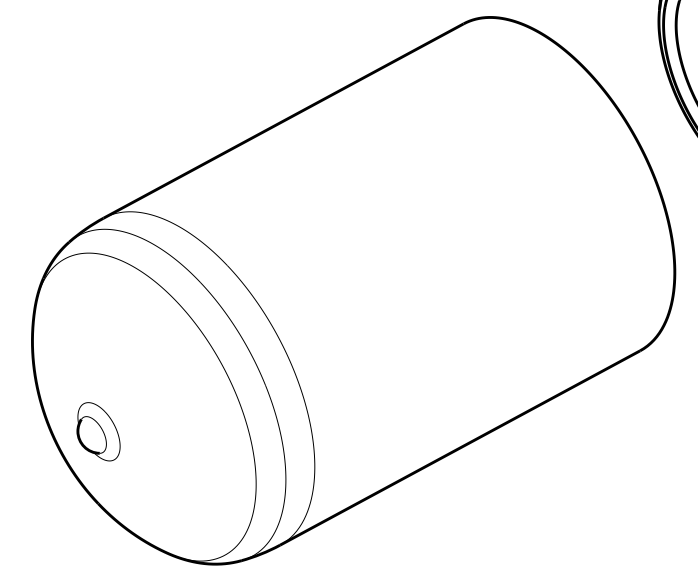
STANDARD SLOT



PRECISION SLOT (2.02)

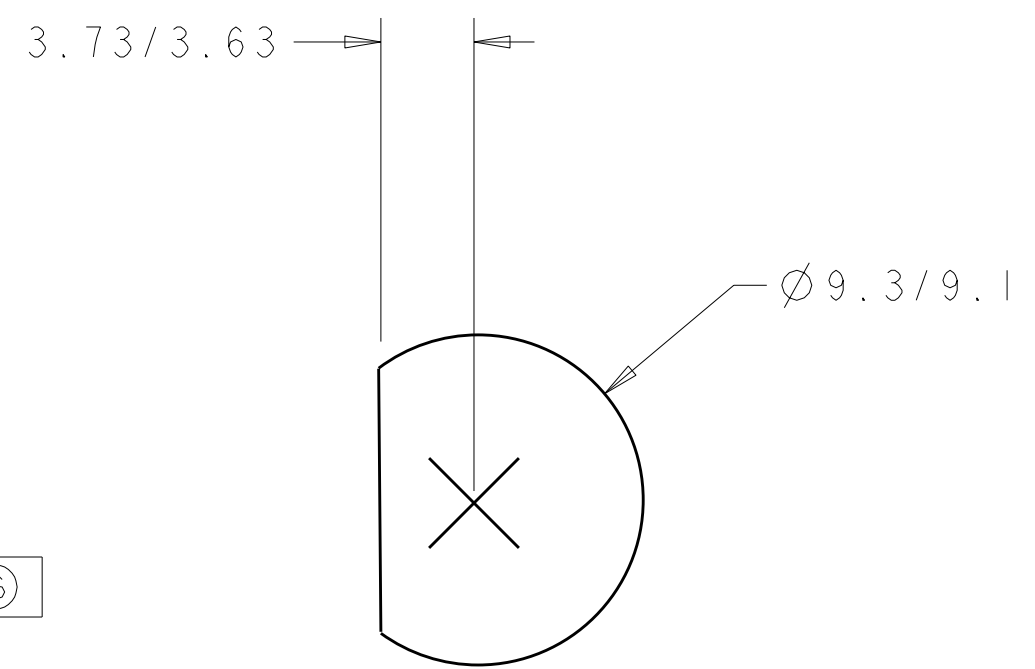


PRECISION SLOT (2.05)



1 MATERIAL:
 HOUSING, INSERT, HEX NUT: BRASS, NICKEL PLATED.
 SLEEVE: SEE TABLE.
 LOCK WASHER: STEEL, NICKEL PLATED.
 PROTECTIVE CAP: PVC, NON-FR.

2 BULK PACKAGE.



SUGGESTED PANEL CUTOUT
 MAX. PANEL THICKNESS 1.65

DESCRIPTION	SLEEVE MATERIAL	PART NUMBER
PRECISION SLOT (2.05)	ZIRCONIA (LOW LOSS)	1-5504407-2
2 PRECISION SLOT (2.05)	ZIRCONIA	5504407-9
PRECISION SLOT (2.05)	ZIRCONIA	5504407-8
PRECISION SLOT (2.02)	ZIRCONIA	5504407-7
2 PRECISION SLOT (2.02)	ZIRCONIA	5504407-6
2 STANDARD SLOT	ZIRCONIA	5504407-4
STANDARD SLOT	ZIRCONIA	5504407-3
2 STANDARD SLOT	PHOS BRONZE	5504407-2
STANDARD SLOT	PHOS BRONZE	5504407-1

THIS DRAWING IS A CONTROLLED DOCUMENT.

DWN B. BRIGGS 19JUL2005
 CHK S. BUCHTER 19JUL2005
 APVD S. BUCHTER 19JUL2005

TE Connectivity

NAME ADAPTER KIT, FC, PRECISION AND STANDARD SLOT

SIZE A2 CAGE CODE 00779 DRAWING NO. 5504407 RESTRICTED TO -

MATERIAL 1 DIMENSIONS: mm TOLERANCES UNLESS OTHERWISE SPECIFIED: 0 PLC ±, 1 PLC ±, 2 PLC ±0.25, 3 PLC ±, 4 PLC ±, ANGLES ±, FINISH ±

PRODUCT SPEC - APPLICATION SPEC - WEIGHT -

CUSTOMER DRAWING SCALE 5:1 SHEET 1 OF 1 REV AI