

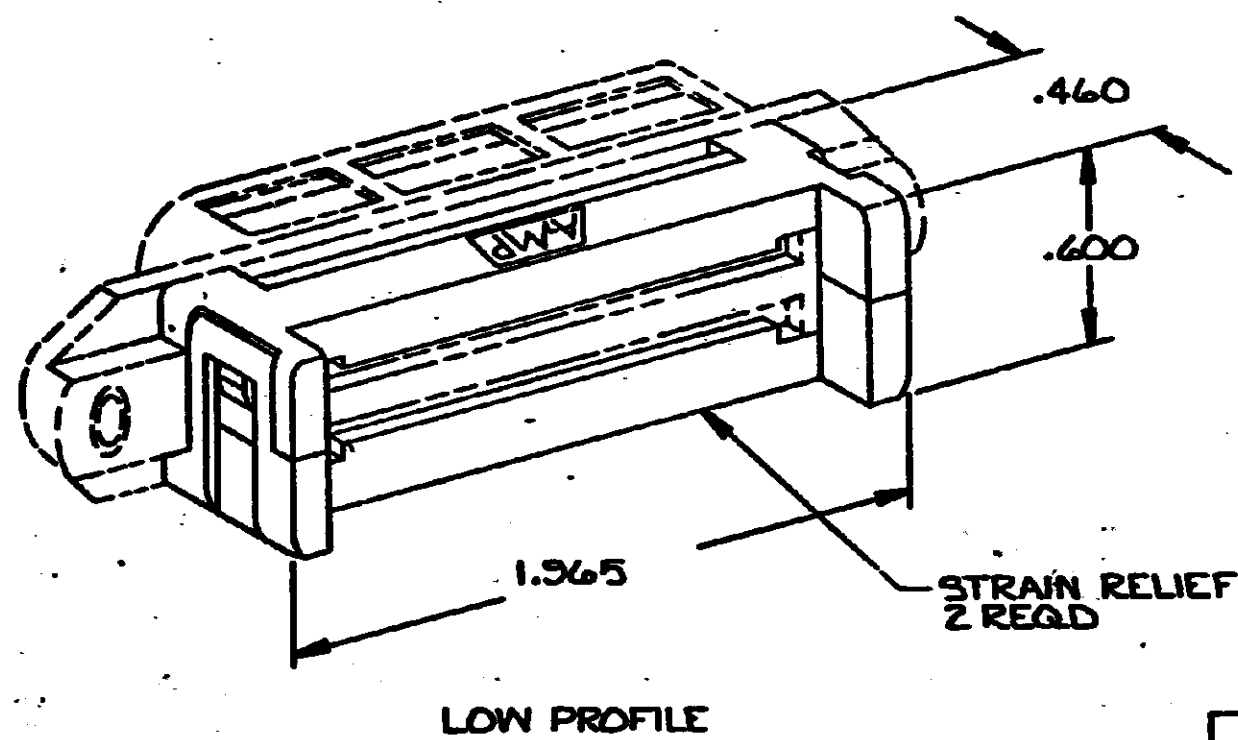
DRAWING MADE IN THIRD ANGLE PROJECTION

© COPYRIGHT 1974 BY AMP INCORPORATED, HARRISBURG, PA.
 ALL INTERNATIONAL RIGHTS RESERVED. AMP INCORPORATED PRODUCTS
 COVERED BY U. S. AND FOREIGN PATENTS AND/OR PATENTS PENDING.

AA 20

REVISIONS			
P	ZONE/LTR	DESCRIPTION	DATE APPROVED
F	✓	F SUPSD -1; EGN AA-3253	4/21/80

1. STRAIN RELIEF SHOWN ASSEMBLED, HOWEVER, THEY ARE SHIPPED NOT ASSEMBLED.
2. ALL DIMENSIONS SHOWN ARE FOR REFERENCE ONLY UNLESS OTHERWISE SPECIFIED.



552297

LOW PROFILE	BLACK	F-552297-1
DESCRIPTION	COLOR	PART NO

UNLESS OTHERWISE SPECIFIED DIMENSIONS ARE IN INCHES. TOLERANCES ON: DECIMALS $\pm .01$ ANGLES $\pm .1$	CONTRACT NO	AMP AMP INCORPORATED Harrisburg, Pa.	
	DR RW Sp... 2-20-80	NAME	
	CHK V. E. Sl... 4/21/80	STRAIN RELIEF, 36 POSN, CHAMP	
	MATERIAL THERMOPLASTIC	APPD B. E. Ward 4/21/80	SIZE CODE IDENT NO DRAWING NO
FINISH #	APPD W. J. Donnelly 4-21-80	C 00779	552297
	DSGN APPD	SCALE 2:1	
	OTHER APPD	SHEET 1 OF 1	

AMP 1471-6 REV 12-78

CUSTOMER DRAWING