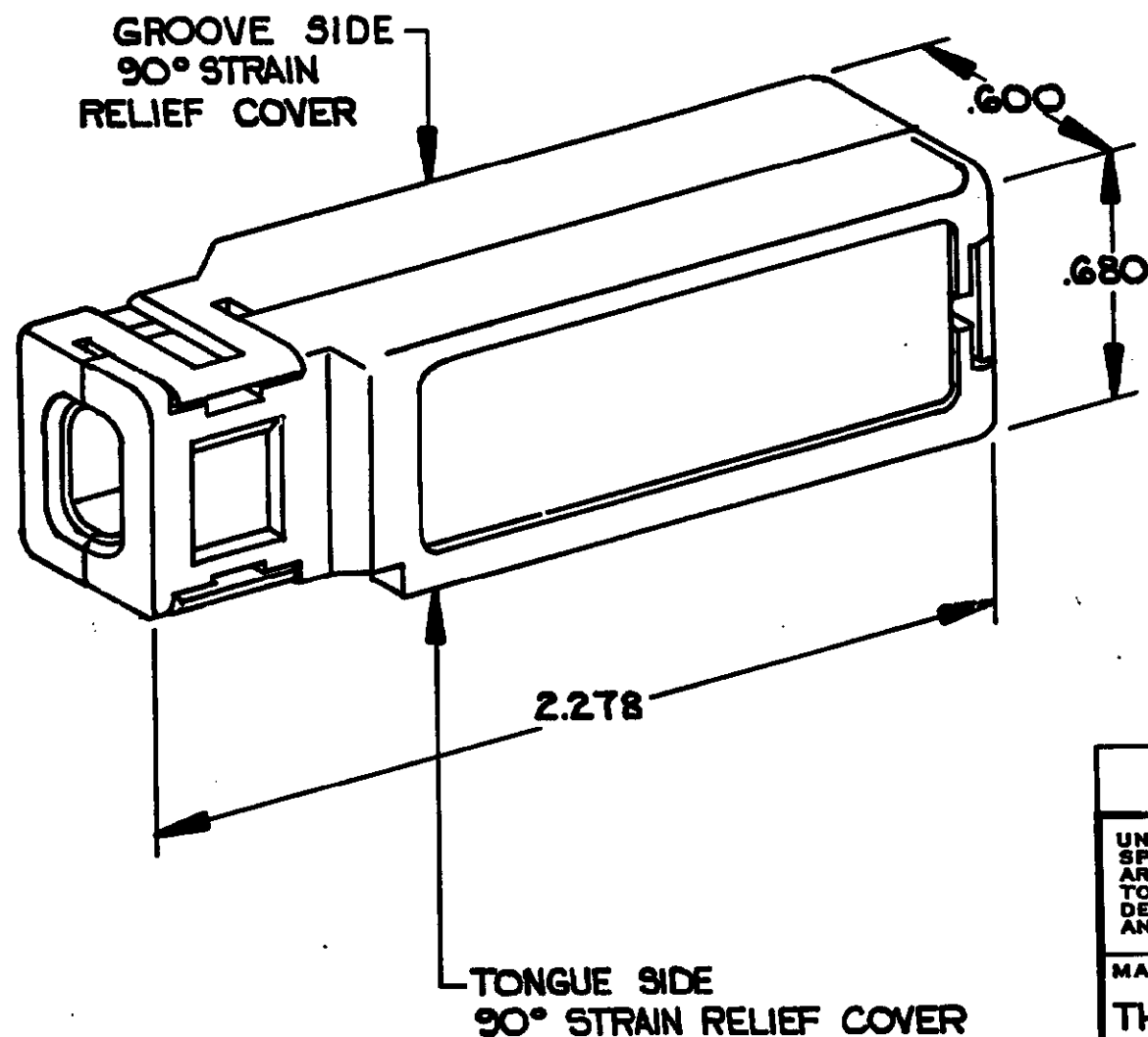


THIS DRAWING IS UNPUBLISHED. RELEASED FOR PUBLICATION . 19
 © COPYRIGHT 19 BY AMP INCORPORATED, HARRISBURG, PA. ALL INTERNATIONAL RIGHTS RESERVED. AMP PRODUCTS MAY BE COVERED BY U.S. AND FOREIGN PATENTS AND/OR PATENTS PENDING.

REVISIONS						
P	F	ZONE	LTR	DESCRIPTION	DATE	APPROVED
F			F	OBS: -4; ECN AA-4830	5-21-83	SW N.J.

1. ALL DIMENSIONS SHOWN ARE FOR REFERENCE ONLY UNLESS OTHERWISE SPECIFIED.
2. COVERS SHIPPED NOT ASSEMBLED.
3. 100 KITS BULK PACKED.



CABLE RANGE	DIAMETER	COLOR	GROOVE SIDE PART NO.	TONGUE SIDE PART NO.	KIT PART NO.
.305 - .360		BLACK	1-552420-1	1-552419-1	1-552413-1
.250 - .300			552420-1	552419-1	552413-1

UNLESS OTHERWISE SPECIFIED DIMENSIONS ARE IN INCHES. TOLERANCES ON: DECIMALS ± ANGLES ±	CONTRACT NO	AMP AMP INCORPORATED Harrisburg, Pa.		
	DR <i>Phil Collins</i> 5-11-83	NAME COVER KIT, 90° STRAIN RELIEF, 24 POSITION, CHAMP®		
	CHK <i>Stephen Dow</i> 5-16-83	SIZE B	FSCM NO 00779	DRAWING NO 552413
	MATERIAL THERMOPLASTIC	SCALE 2:1		
FINISH	OTHER APPD	SHEET 1 OF 1		