

D

B WAS 1228-77-8-1420

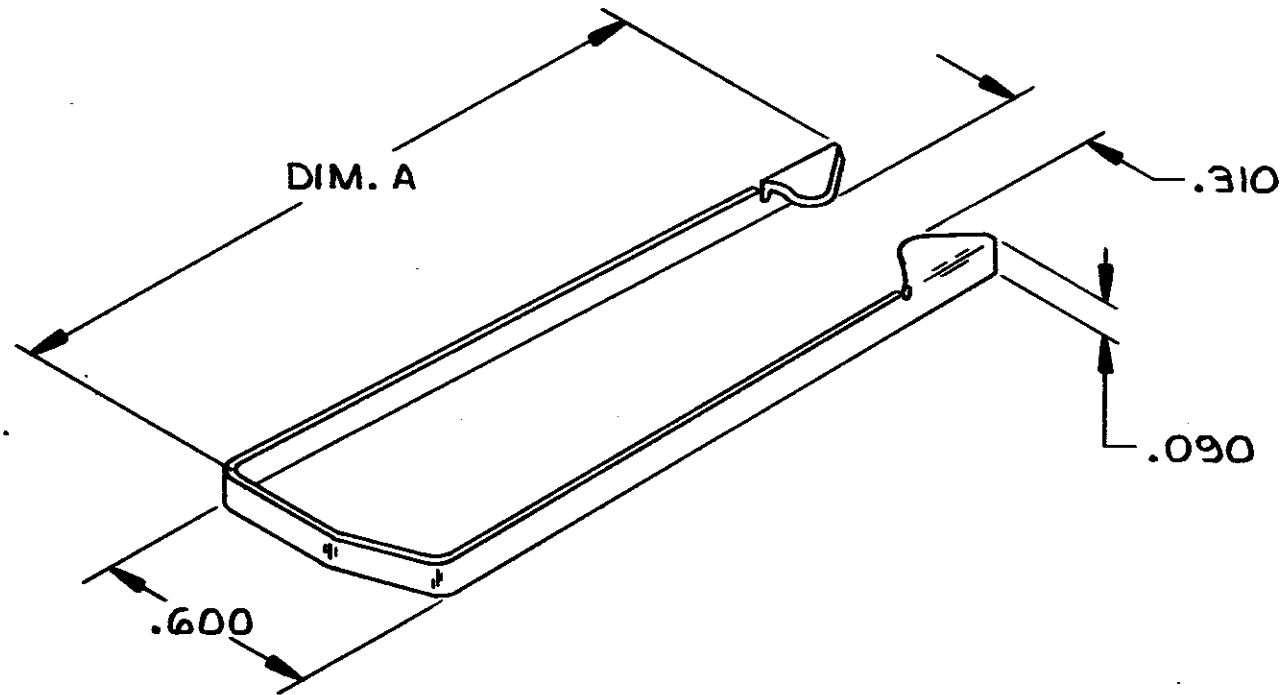
A

3

2

1 LOC AA DIST 10/2


REVISIONS						
P	F	ZONE	LTR	DESCRIPTION	DATE	APPROVED
			A1	REVISED PER ECO-11-005294	12APR11	HMR



1. ALL DIMENSIONS SHOWN ARE FOR REFERENCE ONLY UNLESS OTHERWISE SPECIFIED.

2 MATERIAL: PASSIVATED STAINLESS STEEL.

64	1.820	552723-3
14 & 24	.857	552723-2
36 & 50	1.338	552723-1
POSITIONS	DIM. A	PART NO

UNLESS OTHERWISE SPECIFIED DIMENSIONS ARE IN INCHES. TOLERANCES ON: DECIMALS ± #/100 ANGLES ± #/16	CONTRACT NO		 TE Connectivity		
	DR <i>A. Bourne</i> 6-26-80 CHK <i>MD/ML</i> 6-27-80				
	MATERIAL	APPD <i>B. G. White</i> 7/9/80 APPD <i>W. J. M. Kelly</i> 7/9/80		NAME	
	MATERIAL <span style="float: right;">2</span> FINISH <span style="float: right;">2</span>	DSGN APPD OTHER APPD		LATCH, LOCKING, CHAMP-LOK SIZE <b>B</b> CODE IDENT NO <b>00779</b> DRAWING NO <b>552723</b> SCALE 2/1 SHEET 1 OF 1	

CUSTOMER DRAWING