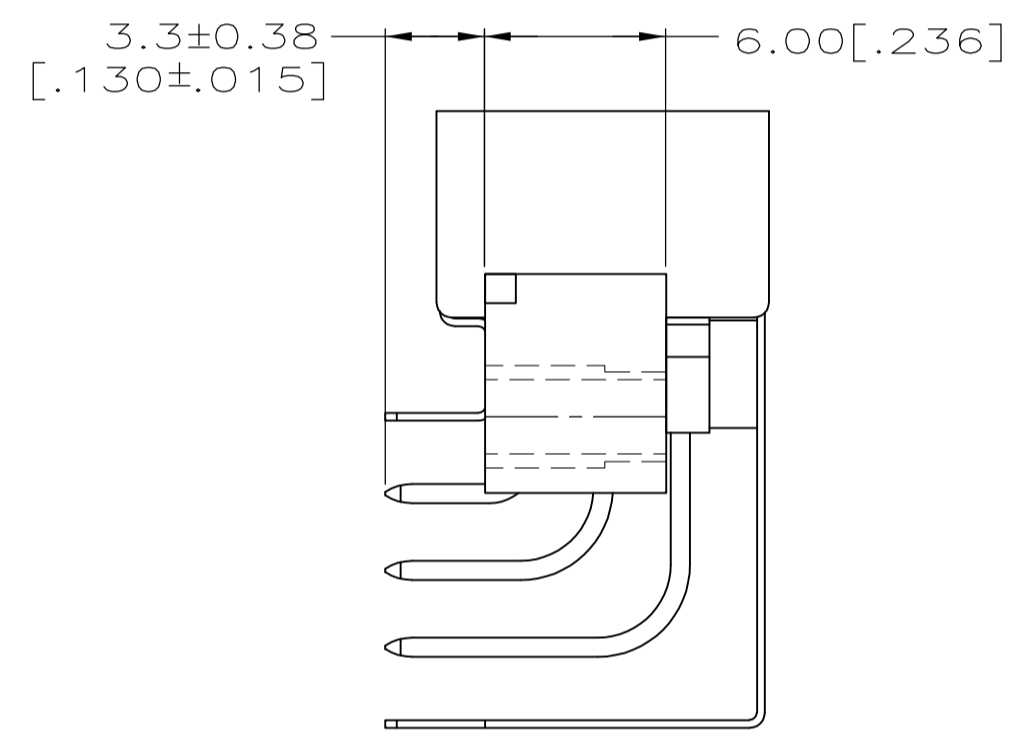
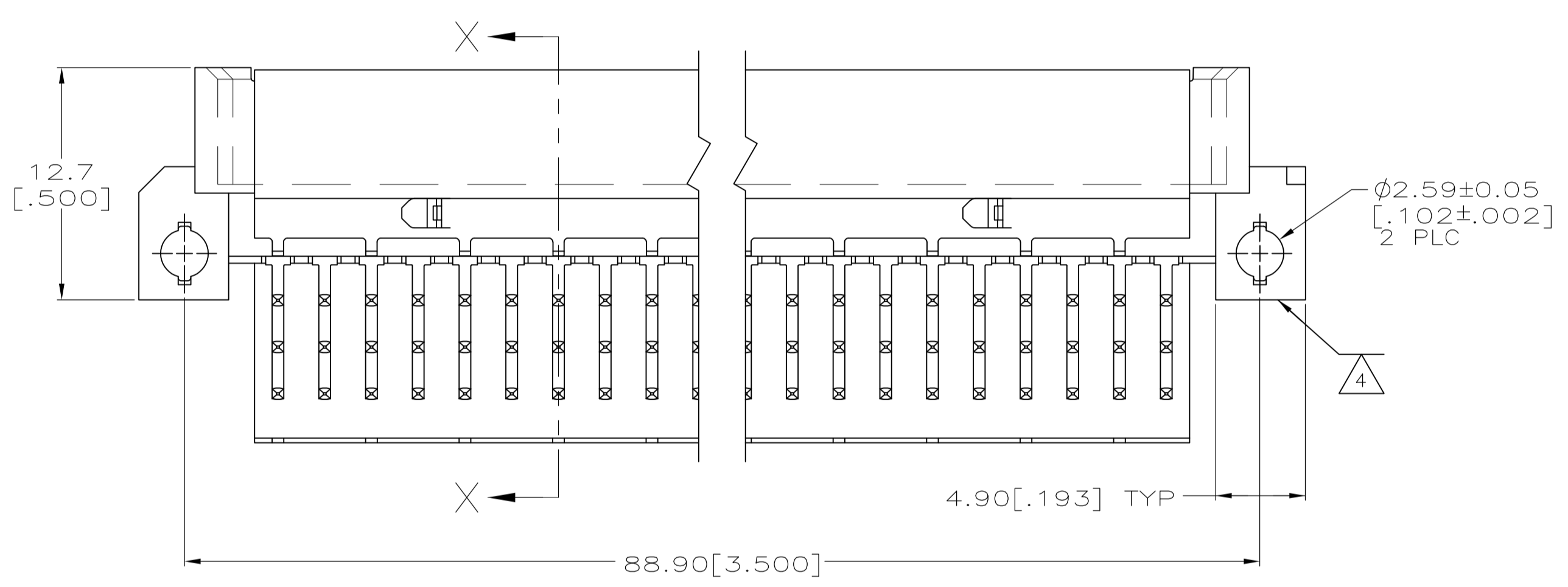
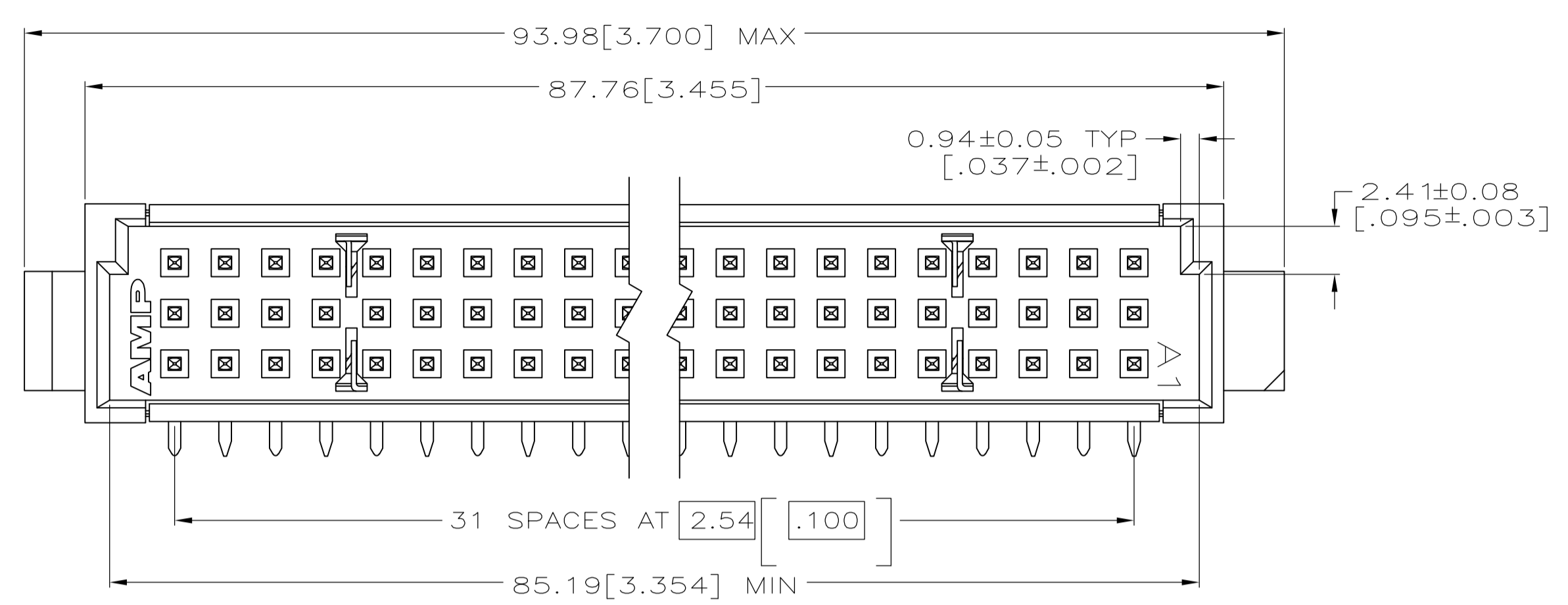
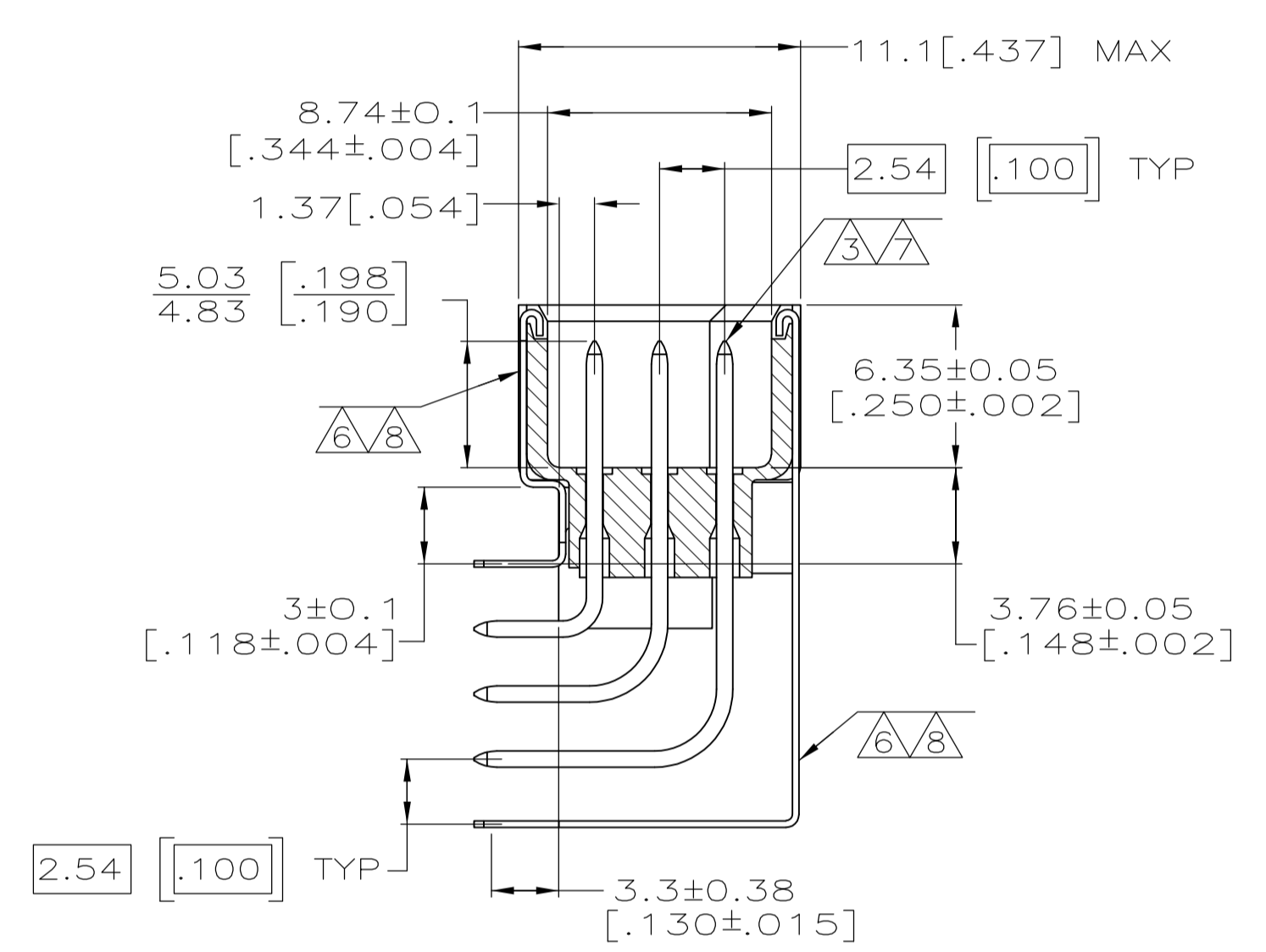


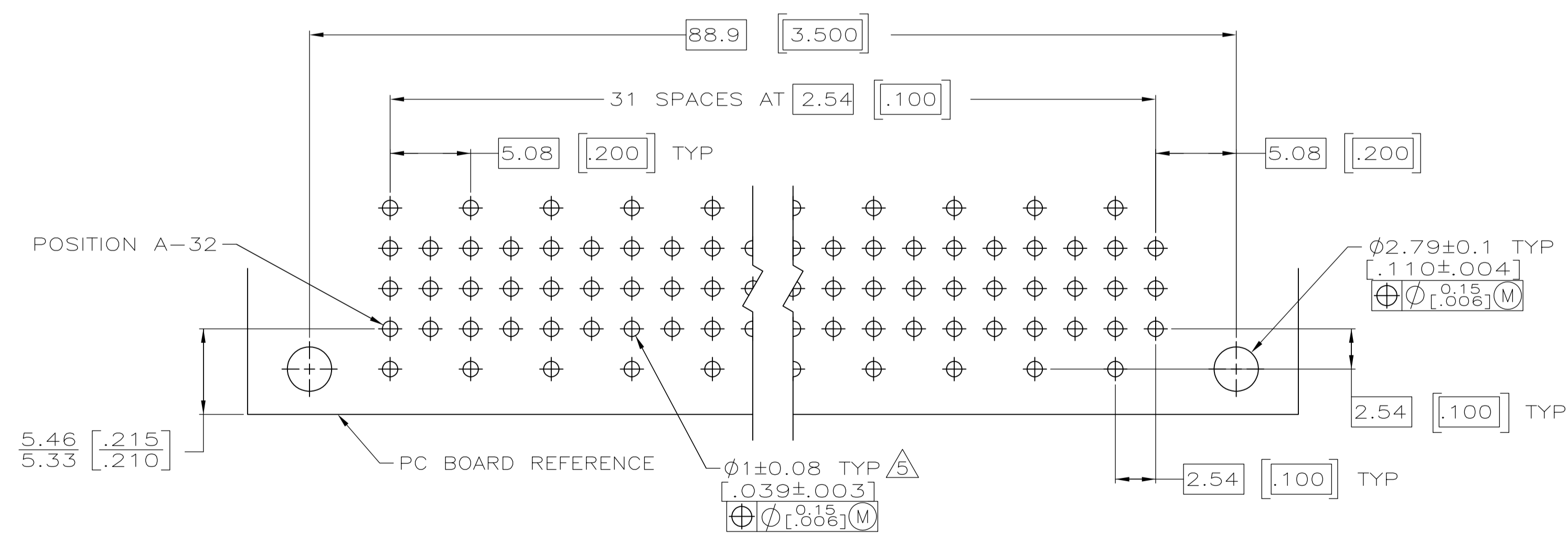
LOC		DIST		REVISIONS			
AD	25	P	LTR	DESCRIPTION	DATE	DN	APVD
		01		REVISED PER ECO-08-013375	09JUN08	DH	DB



- ① HOUSING MATERIAL: GLASS-FILLED POLYMER.
- ② POST AND GROUND PLATE MATERIAL: COPPER ALLOY.
- ③ POST FINISH: DIN 41612 CLASS 2 IN CONTACT AREA. TIN PLATE ON POSTS.
- ④ MOLD REVISION DATE CODE MOLDED IN THIS AREA.
- ⑤ RECOMMENDED HOLE SIZE FOR MANUAL APPLICATION OF CONNECTOR ONTO PC BOARD.
- ⑥ GROUND PLATE FINISH: DIN 41612 CLASS 2 IN CONTACT AREA. TIN PLATE ON POSTS.
- ⑦ POST FINISH: DIN 41612 CLASS 1 IN CONTACT AREA. TIN PLATE ON POSTS.
- ⑧ GROUND PLATE FINISH: DIN 41612 CLASS 1 IN CONTACT AREA. TIN PLATE ON POSTS.



SECTION X-X



PC BOARD LAYOUT

③ ⑥	5536146-5
⑦ ⑧	5536146-1
FINISH	ASSY PART NUMBER

THIS DRAWING IS A CONTROLLED DOCUMENT.		DIN J. POLIGNONE 18APR08		Tyco Electronics Corporation	
DIMENSIONS: mm [INCHES]		CIK A. SHARPE 19APR08		Tyco Electronics Corporation Harrisburg, PA 17105-3608	
TOLERANCES UNLESS OTHERWISE SPECIFIED:		APVD A. SHARPE 19APR08		NAME ASSEMBLY, PIN, ENHANCED, TYPE C, EUROCARD, 5 ROW, SOLDER, 3.30[.130]	
0 PLC ± -	1 PLC ± -	PRODUCT SPEC		APPLICATION SPEC	
2 PLC ± -	3 PLC ± 0.13[.005]	MATERIAL		SIZE CAGE CODE DRAWING NO	
4 PLC ± -	ANGLES ± -	FINISH		A1 00779 C=5536146	
CUSTOMER DRAWING		SCALE 4:1		SHEET 1 OF 1 REV 01	