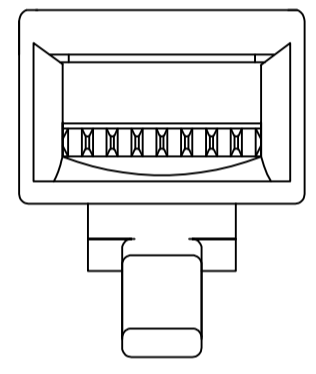
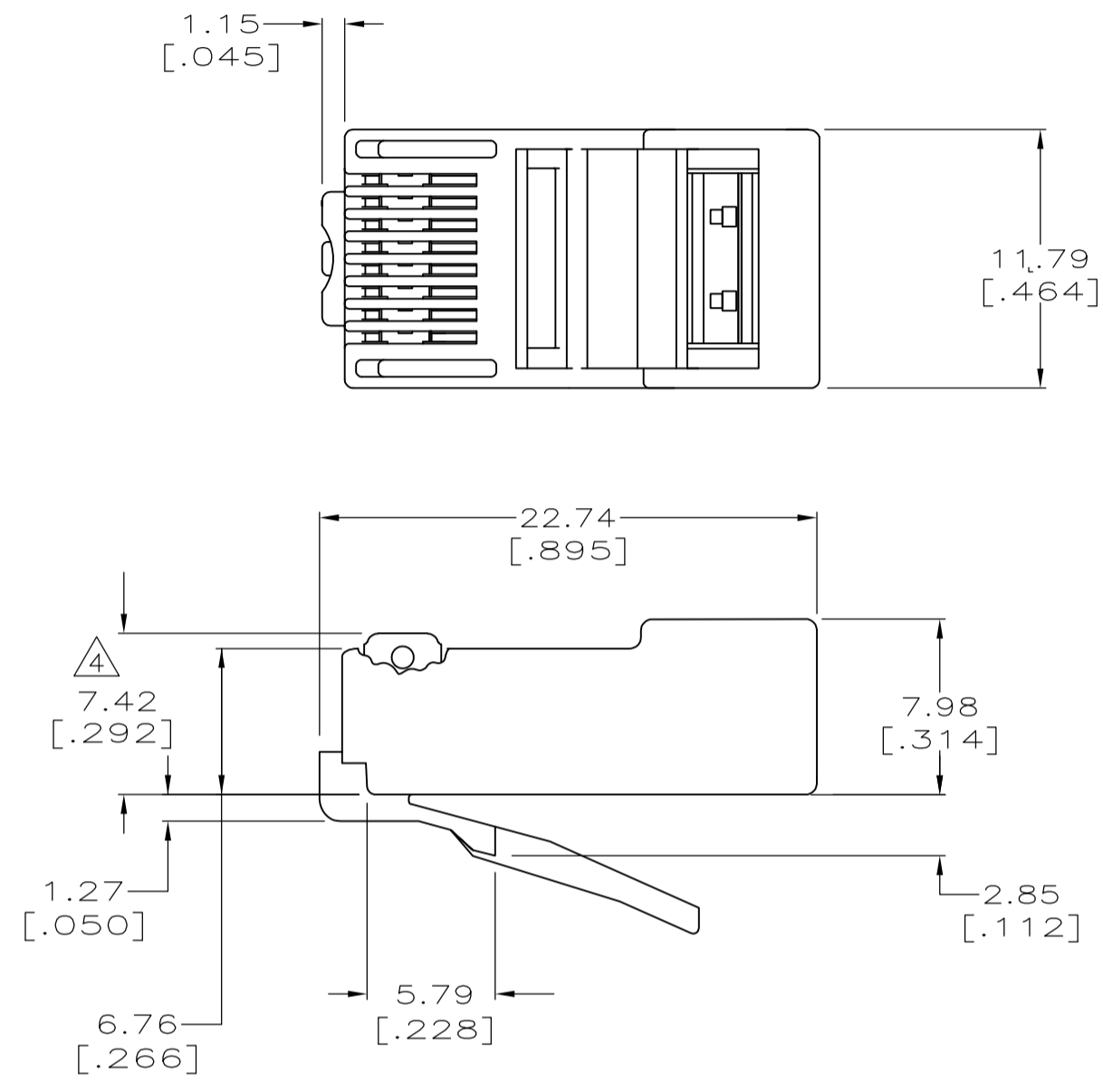
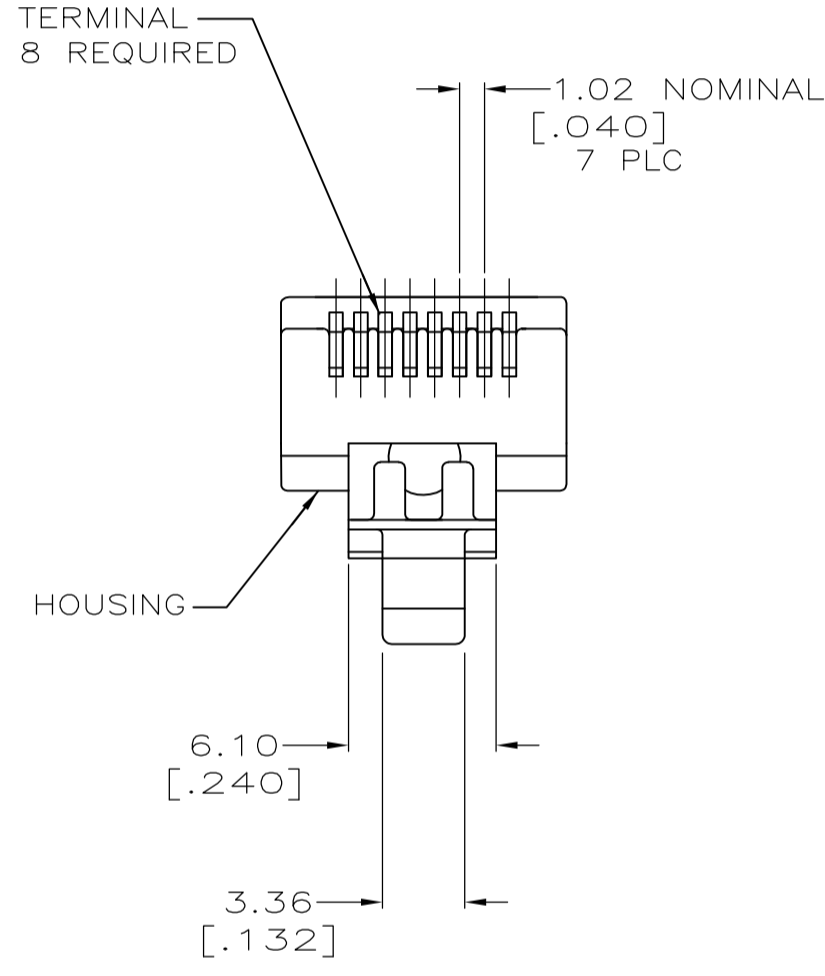


LOC		DIST		REVISIONS			
P	LTR	DESCRIPTION	DATE	DWN	APVD		
E		REV PER ECO-14-004548	26MAR2014	GG	JG		



- 1. DIMENSIONS ARE MAXIMUM UNLESS OTHERWISE SPECIFIED.
- 2. MATERIAL: HOUSING— POLYCARBONATE, CLEAR  
 TERMINAL — .36 [.014] THICK PHOSPHOR BRONZE PLATED WITH .178 $\mu$ m[.000007] THICK GOLD IN LOCALIZED PLATE AREA, OVER .762 $\mu$ m[.000030] THICK PALLADIUM NICKEL IN LOCALIZED PLATE AREA OVER 2.54 $\mu$ m[.000100] THICK NICKEL ON ENTIRE CONTACT.
- 3. PLUG WILL ACCEPT 26 OR 28 AWG STRANDED WIRE, 0.74–0.99 [.029–.039] DIAMETER.
- 4. TERMINATED DIMENSION 6.15 [.242] MAXIMUM.
- 5. 10,000 ASSEMBLIES PER PACKAGE.
- 6. 500 ASSEMBLIES PER PACKAGE.
- 7. 100 ASSEMBLIES PER PACKAGE.

7	5-557961-3
6	5-557961-2
5	5-557961-1

THIS DRAWING IS A CONTROLLED DOCUMENT.		DWN B. SIMPSON 4-22-93	Tyco Electronics Corporation Harrisburg, PA 17105-3608																
DIMENSIONS: mm [INCHES]		CHK C. WHITT 4-30-93	NAME MCCRATH/HAWKINS																
TOLERANCES UNLESS OTHERWISE SPECIFIED:		APVD 5-5-93	PRODUCT SPEC —																
<table border="0"> <tr><td>0 PLC</td><td>± -</td><td>1</td></tr> <tr><td>1 PLC</td><td>± -</td><td>1</td></tr> <tr><td>2 PLC</td><td>± -</td><td>1</td></tr> <tr><td>3 PLC</td><td>± -</td><td>1</td></tr> <tr><td>4 PLC</td><td>± -</td><td>1</td></tr> </table>		0 PLC	± -	1	1 PLC	± -	1	2 PLC	± -	1	3 PLC	± -	1	4 PLC	± -	1	APPLICATION SPEC —	MODULAR PLUG ASSEMBLY 8 POSITION, SMALL OPENING STRANDED WIRE, ROUND CABLE	
0 PLC	± -	1																	
1 PLC	± -	1																	
2 PLC	± -	1																	
3 PLC	± -	1																	
4 PLC	± -	1																	
MATERIAL —	FINISH —	WEIGHT —	SIZE A2	CAGE CODE 00779															
CUSTOMER DRAWING		DRAWING NO 557961	RESTRICTED TO	—															
		SCALE 4:1	SHEET 1 OF 1	REV E															

557961