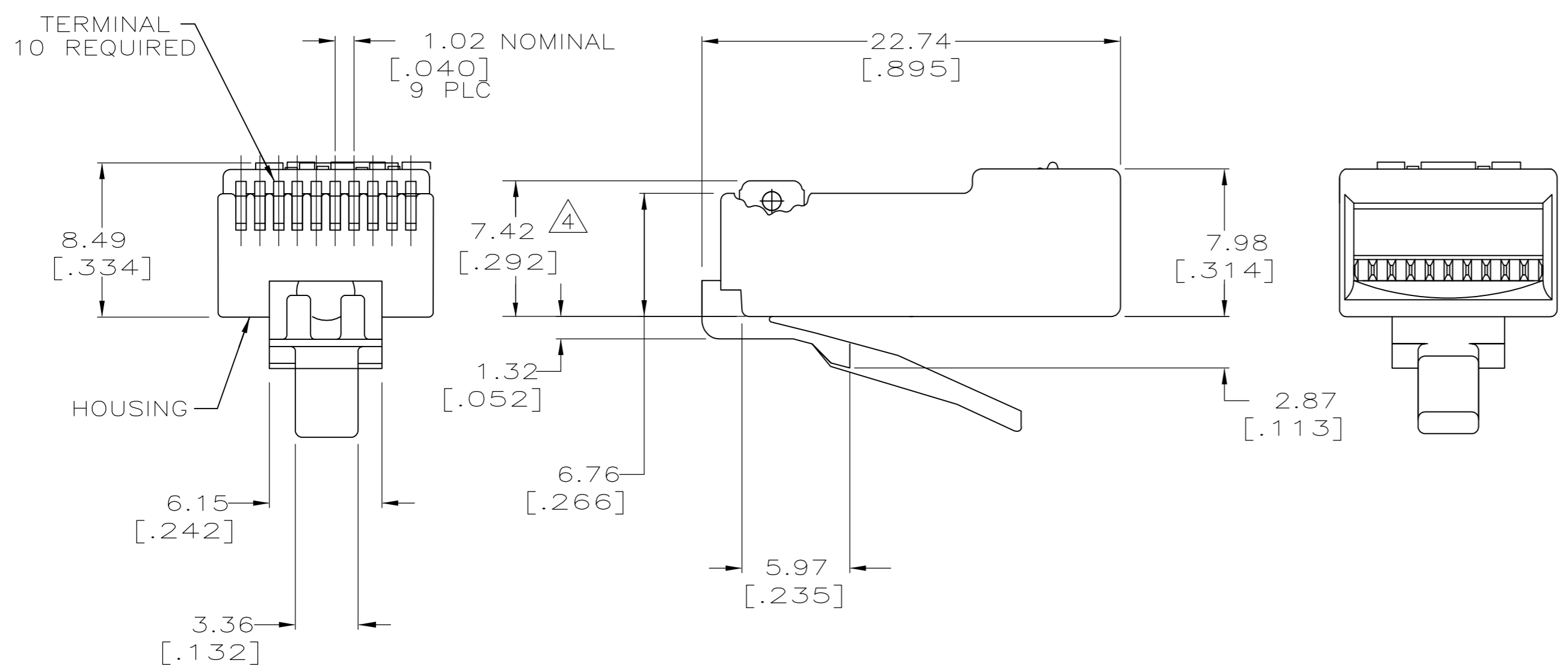
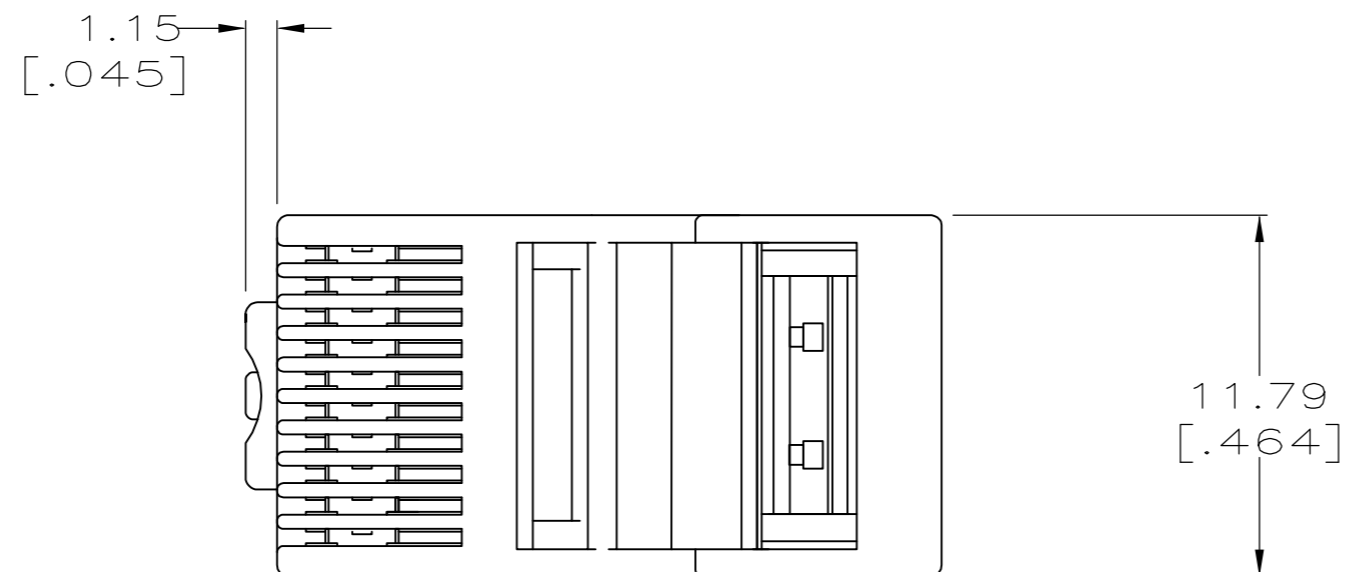


THIS DRAWING IS UNPUBLISHED. RELEASED FOR PUBLICATION  
 © COPYRIGHT - By - ALL RIGHTS RESERVED.

LOC	DIST	REVISIONS			
P	LTR	DESCRIPTION	DATE	DWN	APVD
HM	00	E	REV; ECO-14-004548	26MAR2014	GG JG

- 1. DIMENSIONS ARE MAXIMUM UNLESS OTHERWISE SPECIFIED.
- 2. MATERIAL: HOUSING- POLYCARBONATE, CLEAR  
 TERMINAL - .36 [.014] THICK PHOSPHOR BRONZE PLATED WITH .178 $\mu$ m[.000007] THICK GOLD IN LOCALIZED PLATE AREA, OVER .762 $\mu$ m[.000030] THICK PALLADIUM NICKEL IN LOCALIZED PLATE AREA OVER 2.54 $\mu$ m[.000100] THICK NICKEL ON ENTIRE CONTACT.
- 3. PLUG WILL ACCEPT 24 TO 28 AWG STRANDED WIRE, 0.74-0.99 [.029-.039] DIAMETER, WITH A 5.34 [.210] DIAMETER JACKET.
- 4. TERMINATED DIMENSION 6.15 [.242] MAXIMUM.
- 5. 500 ASSEMBLIES PER PACKAGE.
- 6. 100 ASSEMBLIES PER PACKAGE.



6	5-557963-3
5	5-557963-2
PACKAGED	PART NUMBER

THIS DRAWING IS A CONTROLLED DOCUMENT.		DWN B. SIMPSON 24-APR-93	TE Connectivity	
DIMENSIONS: mm [INCHES]		CHK C. WHITT 11-MAY-93	NAME	
TOLERANCES UNLESS OTHERWISE SPECIFIED:		APVD M. HAWKINS 14-MAY-93	MODULAR PLUG ASSEMBLY, 10 POSITION, ROUND CABLE, STRANDED WIRE	
0 PLC ± -		PRODUCT SPEC	SIZE	CAGE CODE
1 PLC ± -		108-1163	A2	00779
2 PLC ± -		APPLICATION SPEC	DRAWING NO	RESTRICTED TO
3 PLC ± -		114-6016	C=557963	-
4 PLC ± -		WEIGHT	SCALE	SHEET
ANGLES ± -		-	4:1	1 of 1
FINISH		CUSTOMER DRAWING	REV	E
MATERIAL				