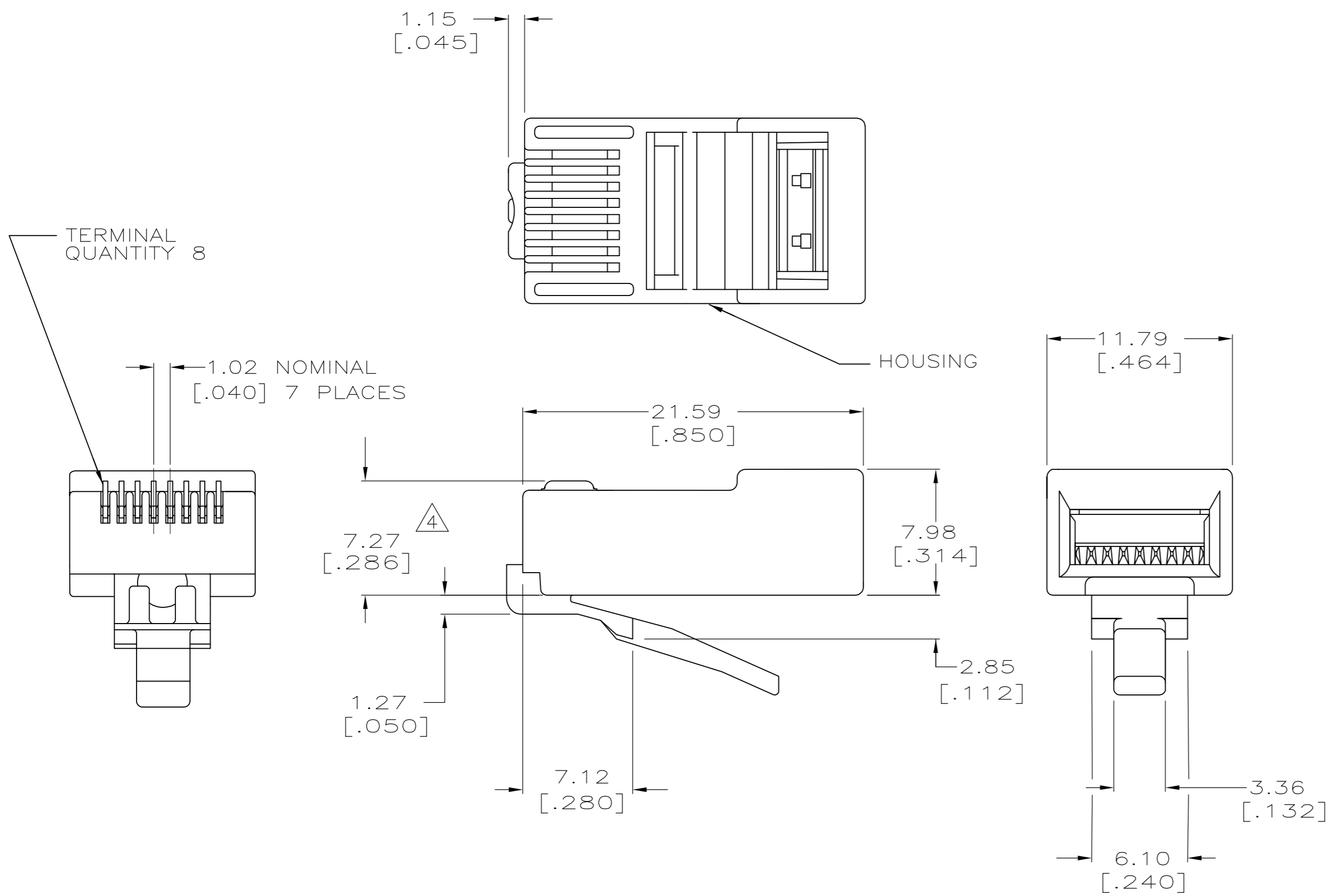


THIS DRAWING IS UNPUBLISHED. RELEASED FOR PUBLICATION
 © COPYRIGHT - By - ALL RIGHTS RESERVED.

LOC	DIST	REVISIONS					
		P	LTR	DESCRIPTION	DATE	DWN	APVD
HM	00	D		REV PER ECO-12-012703	12JUL12	JB	JG



- 1. DIMENSIONS ARE MAXIMUM UNLESS OTHERWISE SPECIFIED.
- 2. MATERIAL: HOUSING— POLYCARBONATE BLUE. TERMINAL— PHOSPHOR BRONZE, PLATED WITH 1.27 μ m [.000050] MINIMUM THICK GOLD IN LOCALIZED GOLD PLATE AREA OVER 2.54 μ m [.000100] MINIMUM THICK NICKEL UNDERPLATE.
- 3. PLUG WILL ACCEPT 26 OR 28 AWG SOLID WIRE, 0.74–0.86 [.029–.034] DIAMETER, WITH AN OVAL CABLE JACKET OF 2.29 X 8.77 [.090 X .345] MAXIMUM.
- 4. TERMINATED DIMENSION 6.15 [.242] MAXIMUM.
- 5. 1000 ASSEMBLIES PER PACKAGE.
- 6. 100 ASSEMBLIES PER PACKAGE.

6	5-557972-3
5	5-557972-2
PACKAGED	PART NO.

THIS DRAWING IS A CONTROLLED DOCUMENT.		DWN	B. SIMPSON	6-9-93		TE Connectivity		
DIMENSIONS: INCHES		CHK	C. WHITT	6-17-93		NAME		
TOLERANCES UNLESS OTHERWISE SPECIFIED:		APVD	HAWKINS/MCGRATH	6-21-93		MODULAR PLUG ASSEMBLY, 8 POSITION, LINE, SMALL CONDUCTOR, SOLID WIRE		
0 PLC ± - 1 1 PLC ± - 1 2 PLC ± - 1 3 PLC ± - 1 4 PLC ± - 1 ANGLES ± - 1 FINISH 1		PRODUCT SPEC	108-1163			SIZE	CAGE CODE	DRAWING NO
MATERIAL 2		APPLICATION SPEC	114-6016		SCALE	4:1	SHEET 1 of 1	
		WEIGHT	-		RESTRICTED TO	-		
		CUSTOMER DRAWING			REV	D		