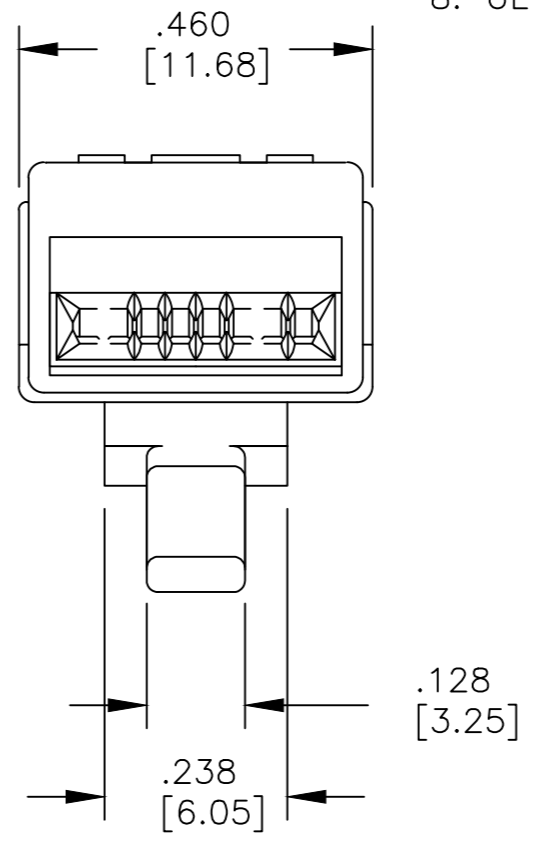
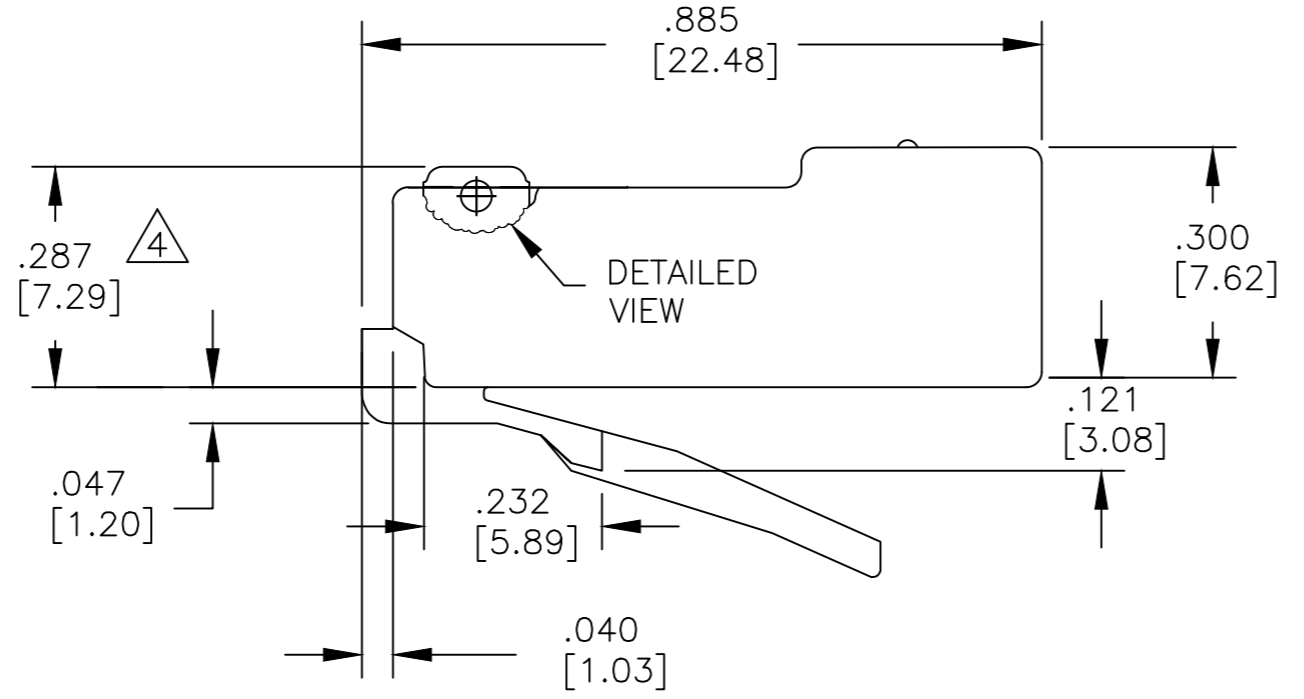
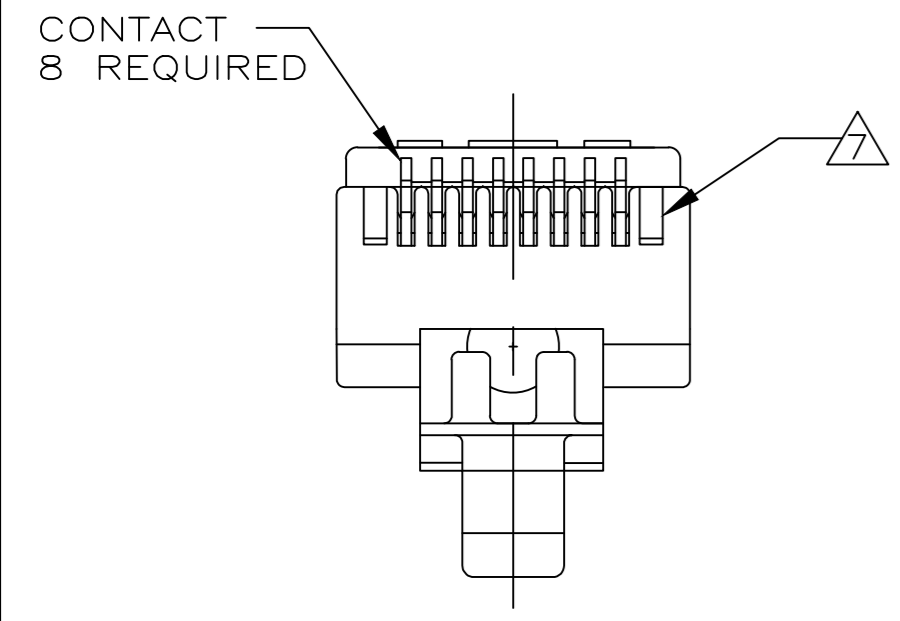
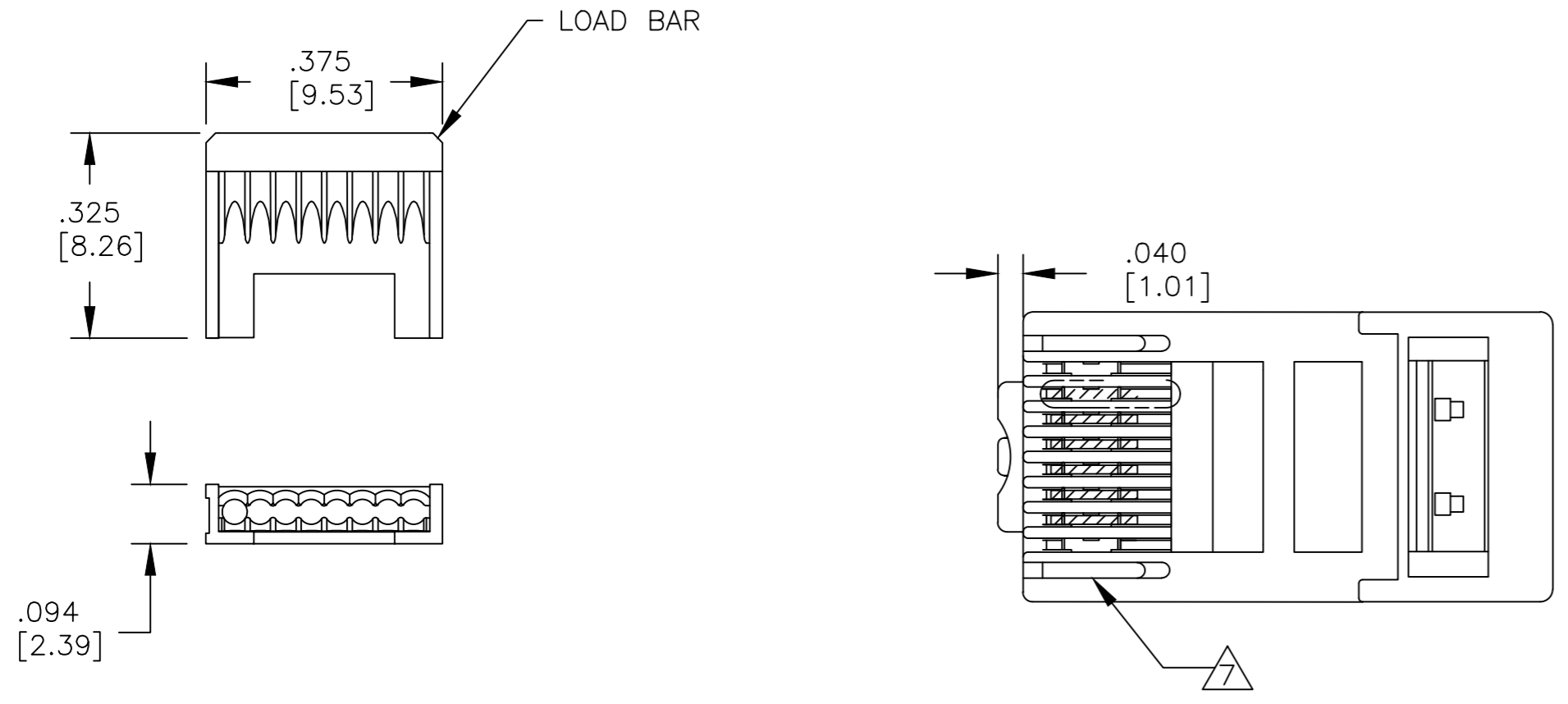


THIS DRAWING IS UNPUBLISHED. RELEASED FOR PUBLICATION
 © COPYRIGHT - By - ALL RIGHTS RESERVED.

LOC		DIST		REVISIONS			
P	LTR	DESCRIPTION	DATE	DWN	APVD		
HM	00						
	K2	REV; MCO-40027286MCO	14DEC2015	HG	JG		

- ⚠ MATERIAL: HOUSING- POLYCARBONATE, CLEAR
 TERMINAL- .36 [.014] THICK PHOSPHOR BRONZE PLATED WITH .178μm [.000007] THICK GOLD IN LOCALIZED PLATE AREA OVER .762μm [.000030] THICK PALLADIUM NICKEL IN LOCALIZED PLATE AREA OVER 2.54μm [.000100] THICK NICKEL ON ENTIRE CONTACT.
- ⚠ DIMENSIONS ARE NOMINAL UNLESS OTHERWISE SPECIFIED.
- 3. PLUG WILL ACCEPT A 24,26 OR 28 AWG SOLID CONDUCTOR, PROVIDED THE INSULATED CONDUCTOR DIAMETER IS 0.89[.035] TO 0.99[.039]; WITH AN UNSHIELDED, PLIABLE, LOOSE CABLE JACKET OF 4.83[.190] TO 5.59[.220] DIAMETER OR AN UNSHIELDED, RIGID, HARD CABLE JACKET OF 4.83 [.190] TO 5.08[.200] DIAMETER.
- ⚠ TERMINATED DIMENSION 6.15[.242] MAXIMUM.
- ⚠ 500 ASSEMBLIES AND 500 LOAD BARS PER PACKAGE.
- ⚠ 100 ASSEMBLIES AND 100 LOAD BARS PER PACKAGE.
- ⚠ OPEN OR CLOSED CONSTRUCTION (CORING) ON EITHER SIDE OF CONTACTS (2 PLACES) IS ALLOWED IN INDICATED AREA.
- 8. UL RECOGNIZED: FILE NUMBER E81956.



⚠ 6	5-569278-3
⚠ 5	5-569278-2
PACKAGED	PART NUMBER

THIS DRAWING IS A CONTROLLED DOCUMENT.		DWN DL DRUMMOND 5-22-95	TE Connectivity	
DIMENSIONS: INCHES [mm]		CHK D. AHERON 5-22-95		
TOLERANCES UNLESS OTHERWISE SPECIFIED:		APVD E. LAURER 5-22-95	NAME	
0 PLC ± -		PRODUCT SPEC	MODULAR PLUG ASSEMBLY, 8 POSITION, ROUND CABLE, SOLID WIRE	
1 PLC ± -		APPLICATION SPEC	108-1163	
2 PLC ± -		WEIGHT	SIZE A2	CAGE CODE 00779
3 PLC ± -		CUSTOMER DRAWING	DRAWING NO C-569278	RESTRICTED TO -
4 PLC ± -			SCALE 4:1	SHEET 1 of 1
ANGLES ± -			REV K2	
FINISH				

569278