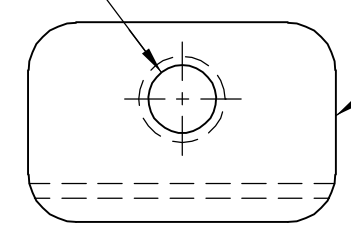


THIS DRAWING IS UNPUBLISHED. RELEASED FOR PUBLICATION  
 © COPYRIGHT 2006 BY TYCO ELECTRONICS CORPORATION. ALL RIGHTS RESERVED.

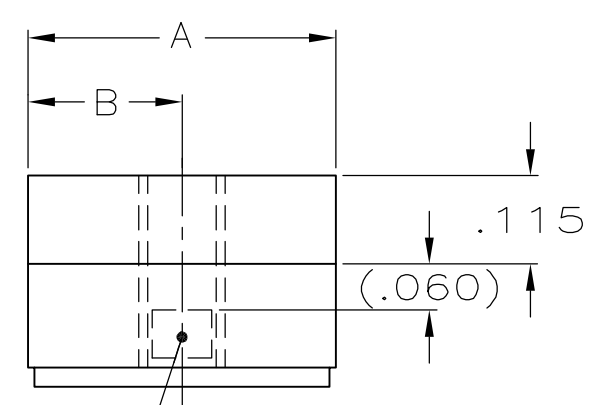
| LOC | DIST | REVISIONS |     |                             |         |     |      |
|-----|------|-----------|-----|-----------------------------|---------|-----|------|
| GP  | 00   | P         | LTR | DESCRIPTION                 | DATE    | DWN | APVD |
|     |      |           | A   | REVISED PER EC 0S13-0389-05 | 09MAR06 | JG  | JG   |

M3x0.5 THREAD

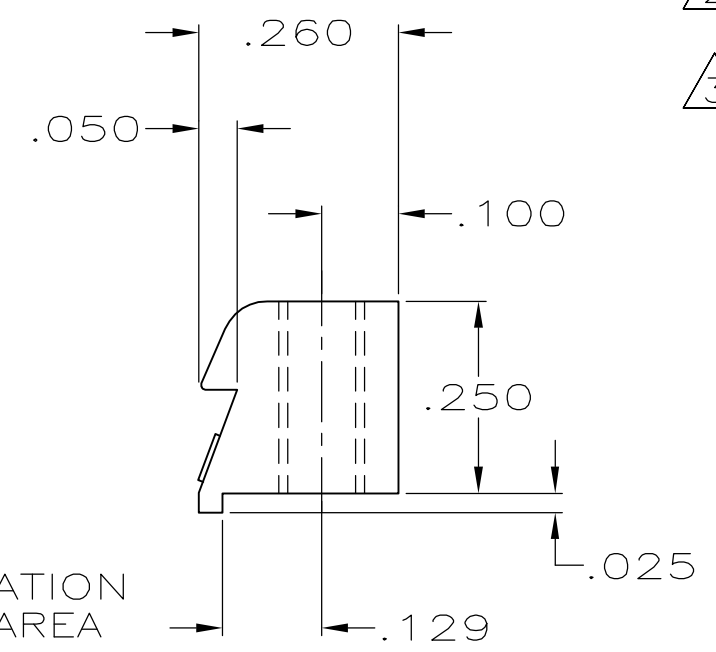


LATCHING BLOCK

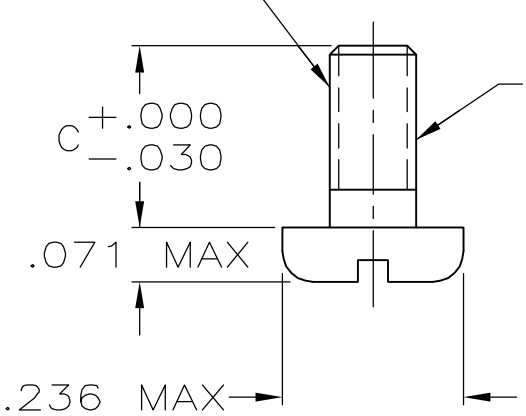
- PARTS PACKAGED UNASSEMBLED, 1 KIT PER BAG. EACH KIT CONTAINS 2 OF EACH COMPONENT.
- LATCHING BLOCK: ZINC ALLOY. SCREW: COLD ROLLED STEEL.
- SCREW: ZINC PLATED .000200-.000400 THICK, CLEAR CHROMATE COATING.



THREAD IDENTIFICATION LOCATED IN THIS AREA



M3x0.5 THREAD



PAN HEAD SCREW

|      |      |      |             |
|------|------|------|-------------|
| .236 | .200 | .400 | 5745007-1   |
| C    | B    | A    | PART NUMBER |

|  |  |                               |   |                    |
|--|--|-------------------------------|---|--------------------|
| THIS DRAWING IS A CONTROLLED DOCUMENT.   |  | DWN<br>J.GERACE<br>01MAR06    | Tyco Electronics Corporation<br>Harrisburg, PA 17105-3608 |                    |
| DIMENSIONS: INCHES   |  | CHK<br>C.ROHDE<br>01MAR06     |   |                    |
| TOLERANCES UNLESS OTHERWISE SPECIFIED:   |  | APVD<br>M.WALMSLEY<br>01MAR06 | NAME<br>LATCHING BLOCK KIT,<br>RS 449 TYPE, AMPLIMITE     |                    |
| 0 PLC ± -<br>1 PLC ± -<br>2 PLC ± -<br>3 PLC ± .010<br>4 PLC ± -<br>ANGLES ± - |  | PRODUCT SPEC<br>-             | APPLICATION SPEC<br>-                                     |                    |
| MATERIAL   |  | WEIGHT<br>-                   | SIZE<br>A3  | CAGE CODE<br>00779 |
| FINISH   |  | DRAWING NO<br>C=5745007       |   | RESTRICTED TO<br>- |
|  |  | CUSTOMER DRAWING              |   | SCALE<br>4:1       |
|  |  | SHEET<br>1 OF 1               |   | REV<br>A           |