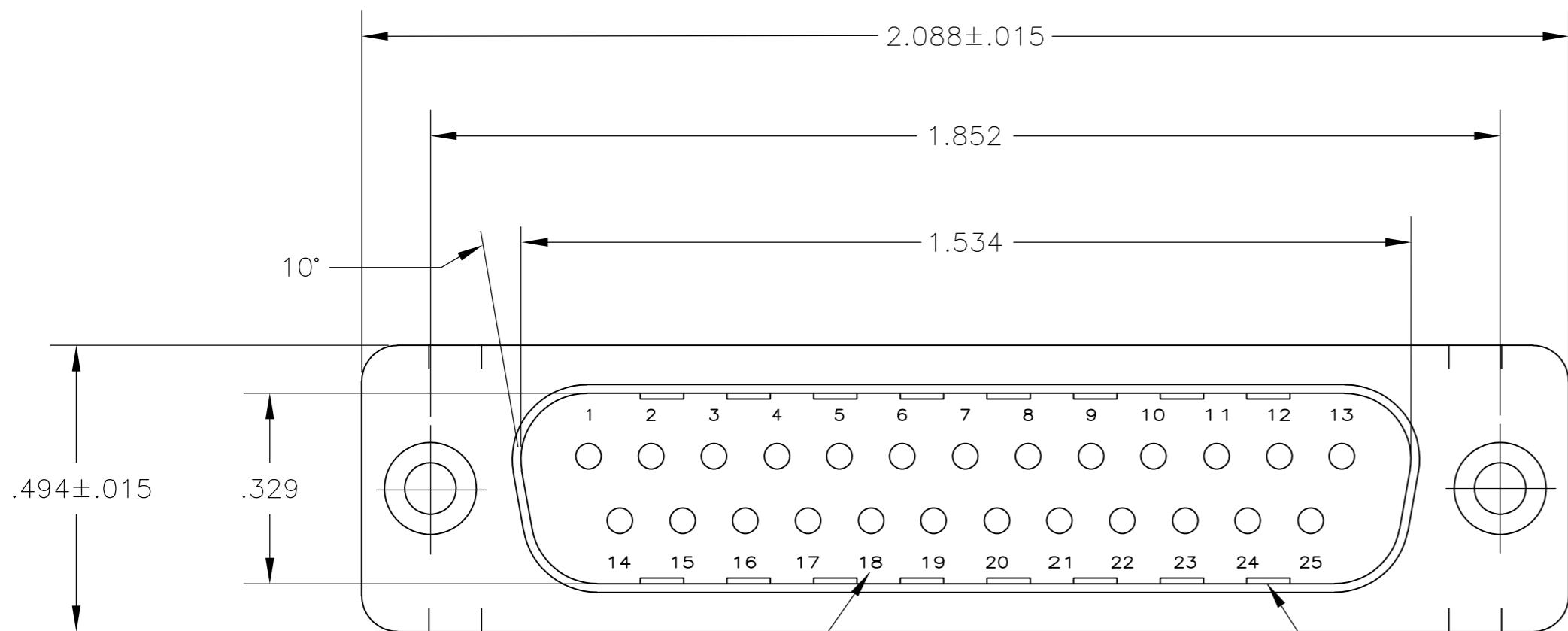


THIS DRAWING IS UNPUBLISHED. RELEASED FOR PUBLICATION
 © COPYRIGHT - By - ALL RIGHTS RESERVED.

LOC	DIST	REVISIONS					
GP	00	P	LTR	DESCRIPTION	DATE	DWN	APVD
		A		RELEASED PER ECO-11-002006	14APR2011	CJV	CWR



1. CONNECTOR ACCEPTS SIZE 20 DF PIN CONTACTS, RETENTION TINES ARE AN INTEGRAL PART OF INSERT.

2. MOLDED PARTS: FLAME RETARDANT 94V-0 RATED THERMOPLASTIC; COLOR: BLACK.

3. SHELLS & CLINCH NUTS: STEEL PER ASTM A109.

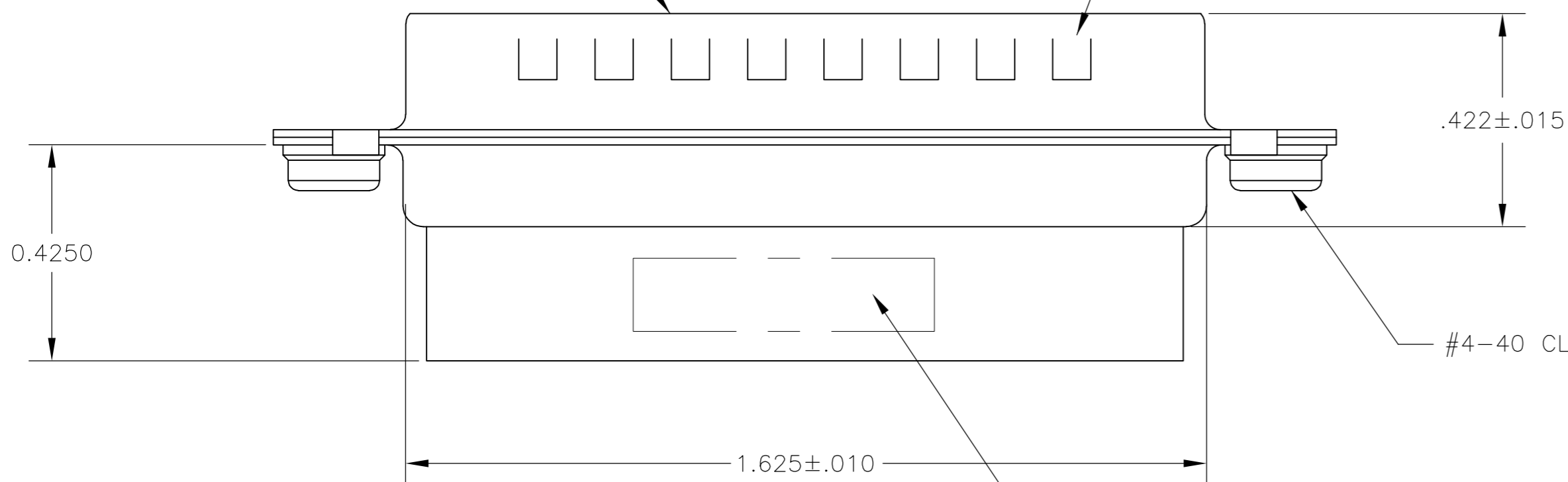
4. SHELL FINISH: .000200 MIN TIN PLATE OVER .000100 MIN COPPER UNDERPLATE.

5. CLINCH NUTS: CLEAR CHROMATE OVER ZINC.

RAISED CAVITY IDENTIFICATION

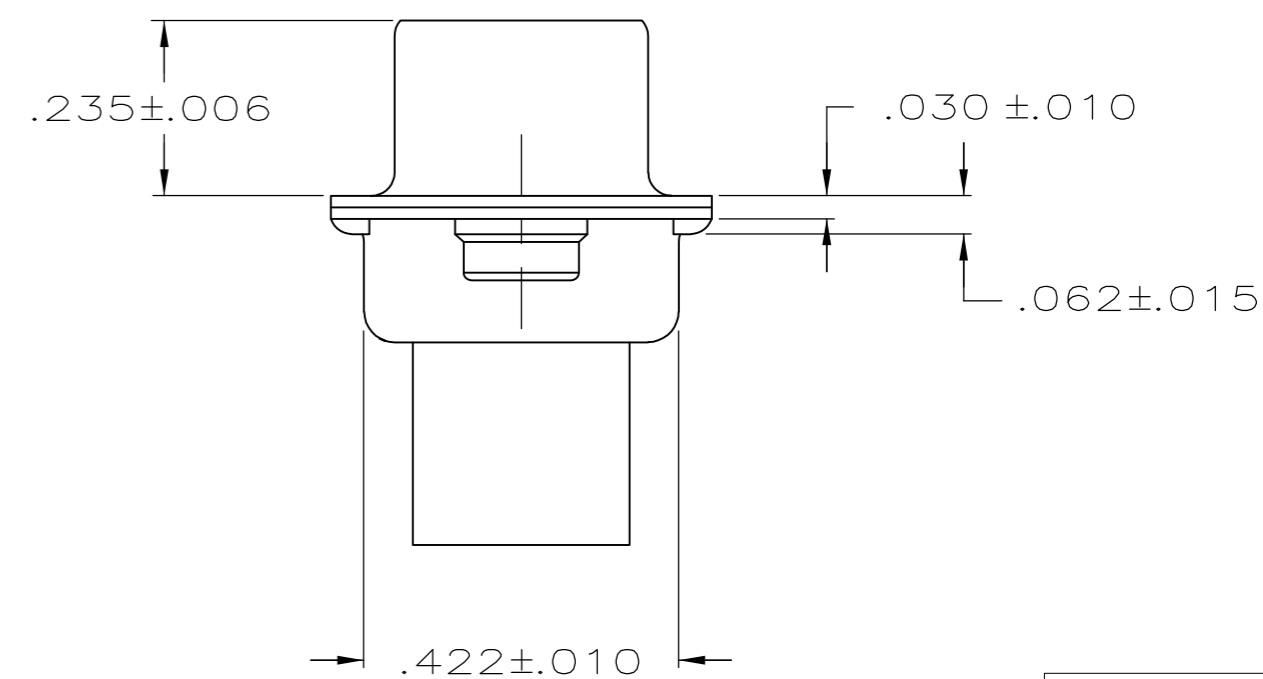
GROUNDING INDENTS

MATING FACE



#4-40 CLINCH NUT

MANUFACTURERS LOGO, PART NO & DATE CODE, MARKED IN AREA INDICATED, ON FAR SIDE



5745036-2

PART NUMBER

THIS DRAWING IS A CONTROLLED DOCUMENT.		DWN	12-21-04		TE Connectivity																						
		CHK	12-21-04																								
		APVD	12-21-04																								
		PRODUCT SPEC																									
DIMENSIONS: INCHES		TOLERANCES UNLESS OTHERWISE SPECIFIED:		NAME		PLUG CONNECTOR, SIZE 3, 25 POS, W/CLINCH NUTS, AMPLIMITE HDP																					
<table border="1"> <tr><td>0 PLC</td><td>±</td><td>-</td></tr> <tr><td>1 PLC</td><td>±</td><td>-</td></tr> <tr><td>2 PLC</td><td>±</td><td>-</td></tr> <tr><td>3 PLC</td><td>±</td><td>.005</td></tr> <tr><td>4 PLC</td><td>±</td><td>-</td></tr> <tr><td>ANGLES</td><td>±</td><td>2°</td></tr> </table>		0 PLC	±	-	1 PLC	±	-	2 PLC	±	-	3 PLC	±	.005	4 PLC	±	-	ANGLES	±	2°	<table border="1"> <tr><td>108-40005</td></tr> <tr><td>114-40030</td></tr> </table>		108-40005	114-40030	SIZE	CAGE CODE	DRAWING NO	RESTRICTED TO
0 PLC	±	-																									
1 PLC	±	-																									
2 PLC	±	-																									
3 PLC	±	.005																									
4 PLC	±	-																									
ANGLES	±	2°																									
108-40005																											
114-40030																											
MATERIAL		FINISH		A2	00779	C=5745036	-																				
				CUSTOMER DRAWING		SCALE 4:1	SHEET 1 of 1																				