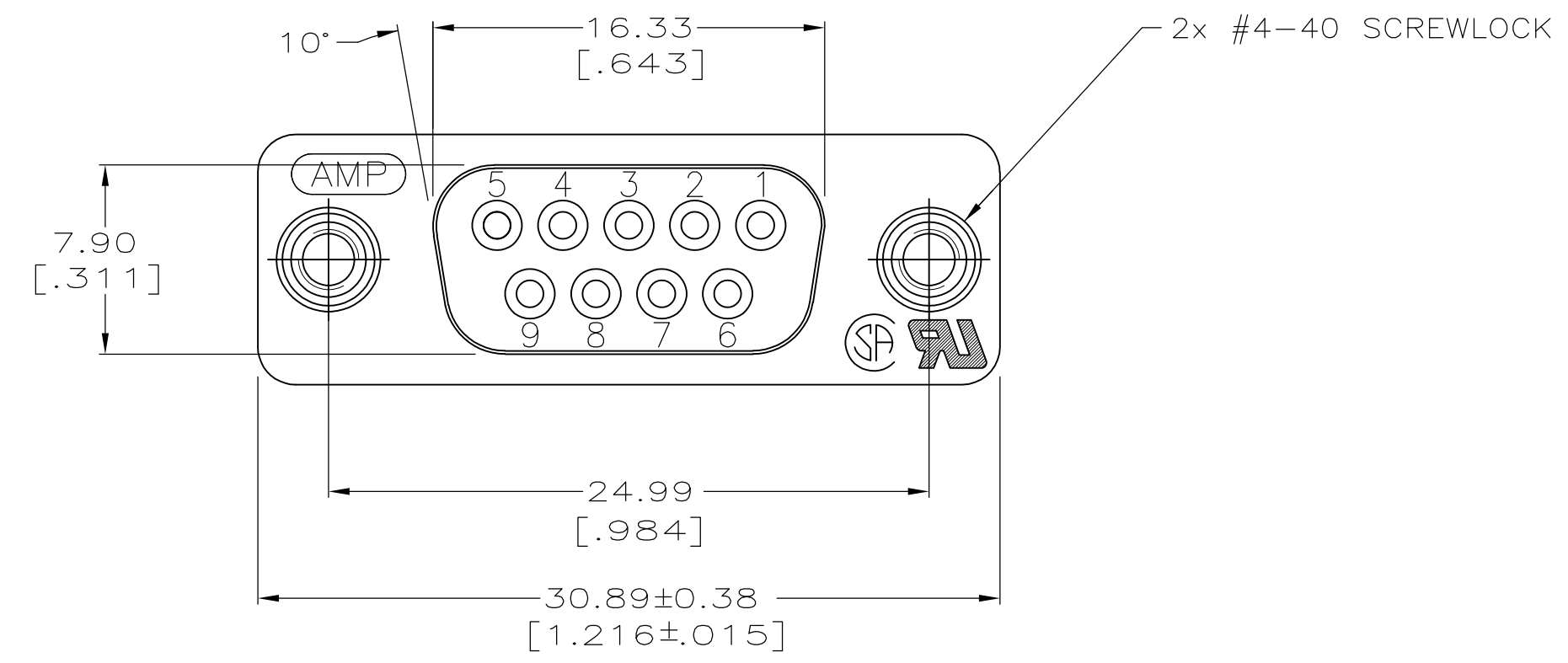
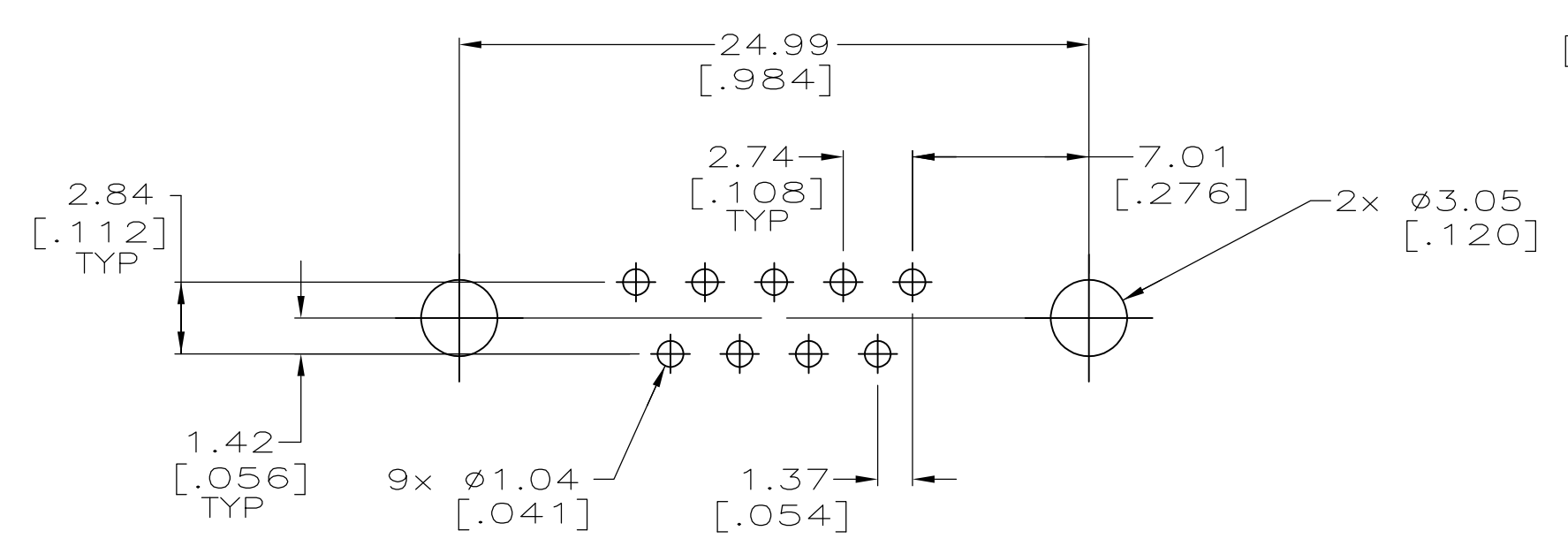
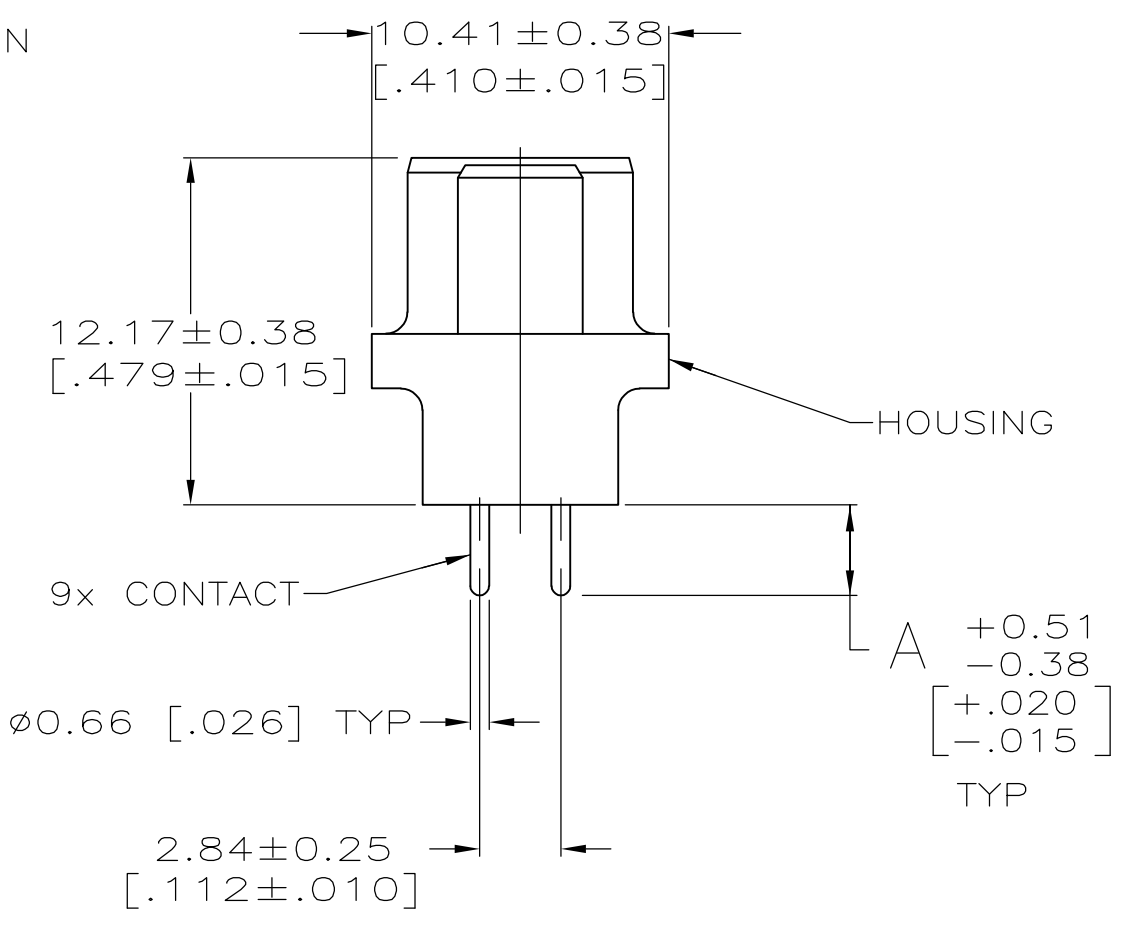
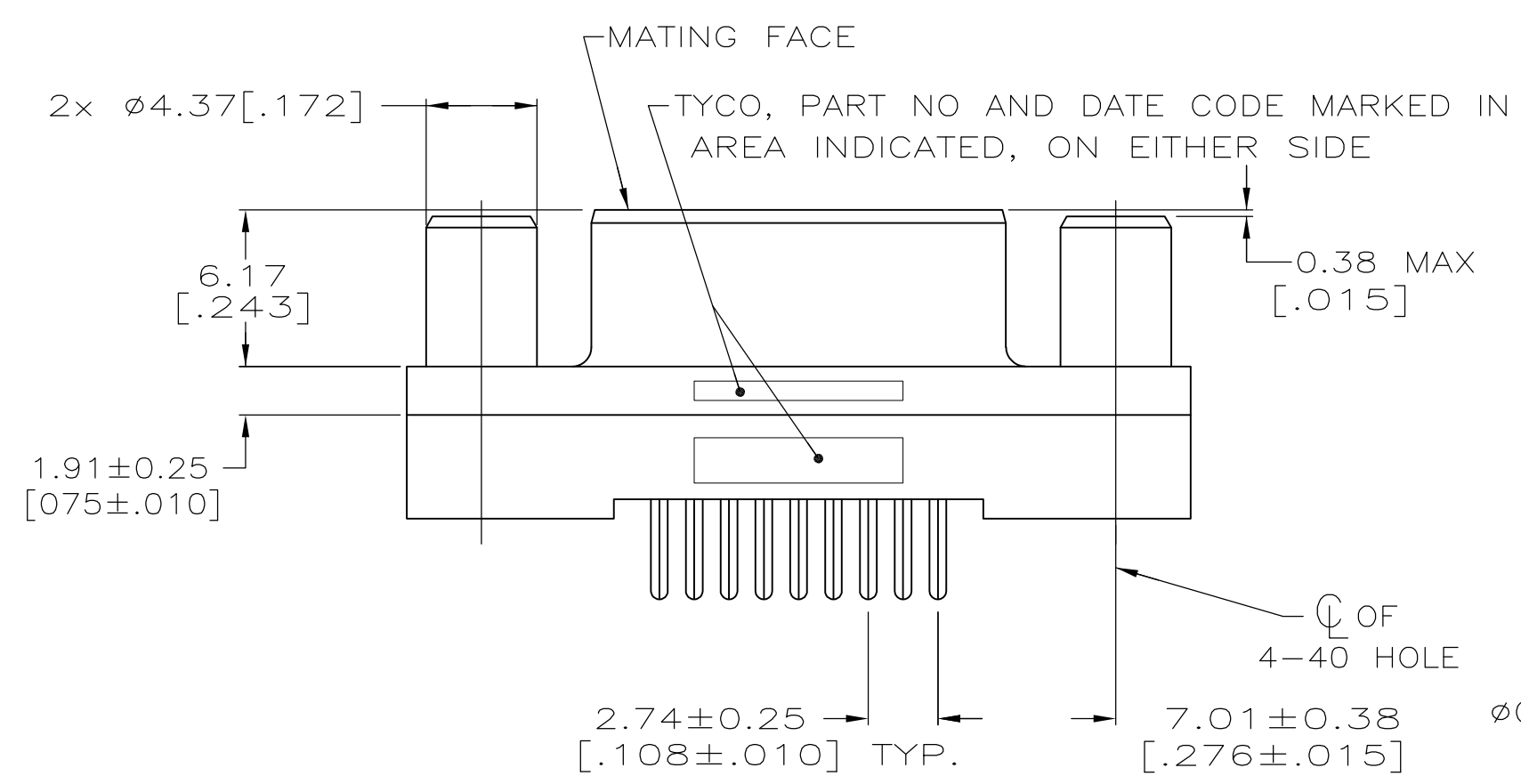


LOC	DIST	REVISIONS			
P	LTR	DESCRIPTION	DATE	OWN	APVD
GP	00	P	REVISED PER ECO-11-004835	11MAR11	RK HMR



- 1 HOUSING: BLACK POLYESTER, UL 94V-0 RATED. CONTACTS: PHOSPHOR BRONZE. SCREWLOCKS: BRASS.
- 2 CONTACTS: SEE TABLE. SCREWLOCKS: 1.27µm [.000050] MIN NICKEL OVER COPPER FLASH.
- 3 GOLD FLASH FOR A LENGTH OF 2.54 [.100] MIN FROM MATING END, 2.54µm [.000100] MIN TIN ON OPPOSITE END, ALL OVER 1.27µm [.000050] MIN NICKEL.
- 4 0.76µm [.000030] MIN GOLD FOR A LENGTH OF 2.54 [.100] MIN FROM MATING END, 2.54µm [.000100] MIN TIN ON OPPOSITE END, ALL OVER 1.27µm [.000050] MIN NICKEL.



RECOMMENDED PC BOARD MOUNTING DIMENSIONS

**COPYRIGHT 2005
TE CONNECTIVITY CORP
ALL RIGHTS RESERVED**

4.32 [.170]	4	5745076-6
3.18 [.125]	4	5745076-4
3.18 [.125]	3	5745076-3
A	CONTACT FINISH	PART NO

THIS DRAWING IS A CONTROLLED DOCUMENT.		DWN	13SEP05	TE Connectivity					
DIMENSIONS: mm[INCHES]		CHK	13SEP05						
TOLERANCES UNLESS OTHERWISE SPECIFIED:		APVD	13SEP05						
0 PLC ± -		NAME							
1 PLC ± -		M. WALMSLEY							
2 PLC ± 0.13 [.005]		PRODUCT SPEC							
3 PLC ± -		108-40025							
4 PLC ± -		APPLICATION SPEC							
ANGLES ± ± 2'		SIZE		CAGE CODE	DRAWING NO	RESTRICTED TO			
FINISH		WEIGHT		A2	00779	5745076			
1		CUSTOMER DRAWING		SCALE	4:1	SHEET	1 OF 1	REV	P