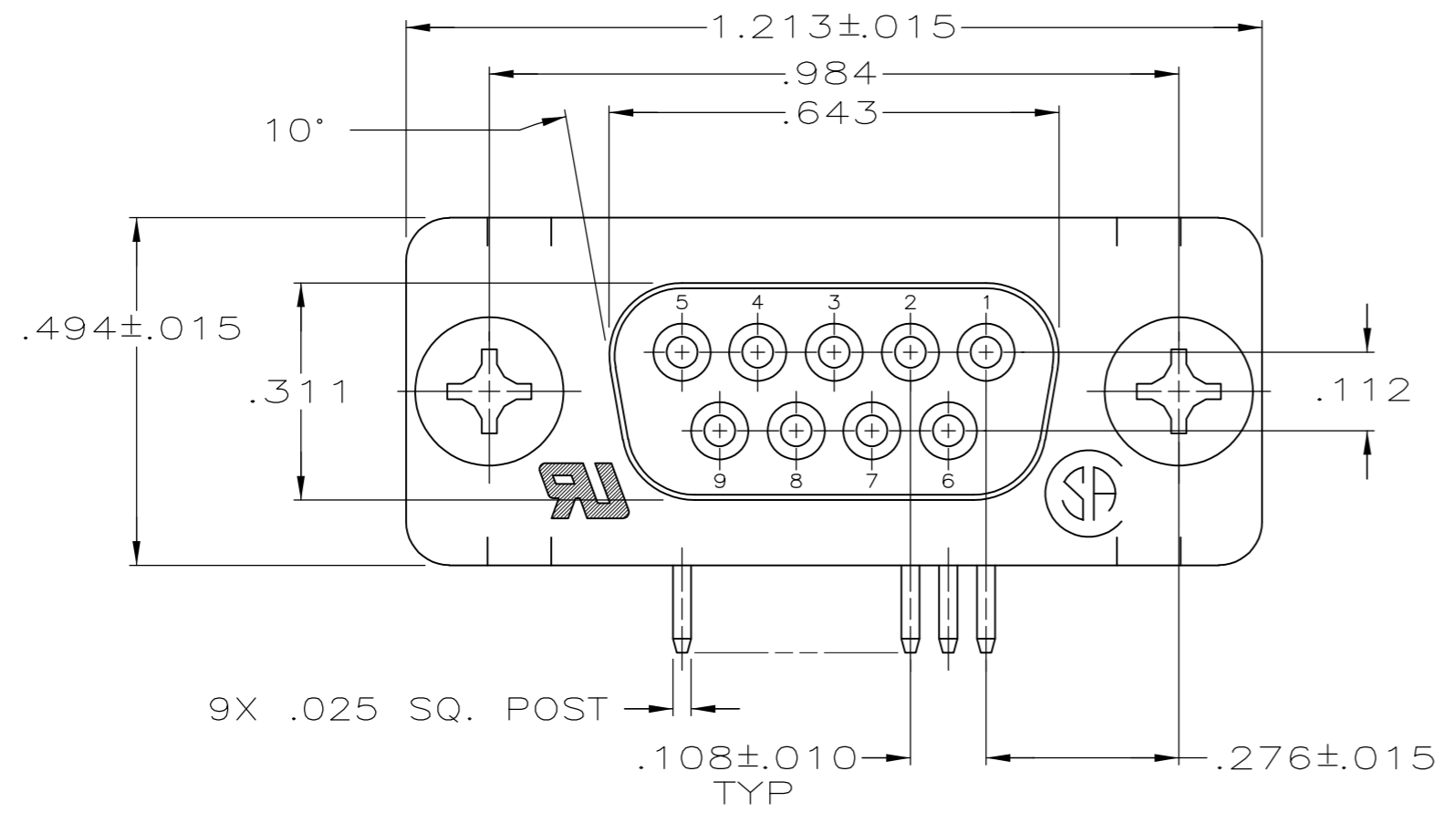
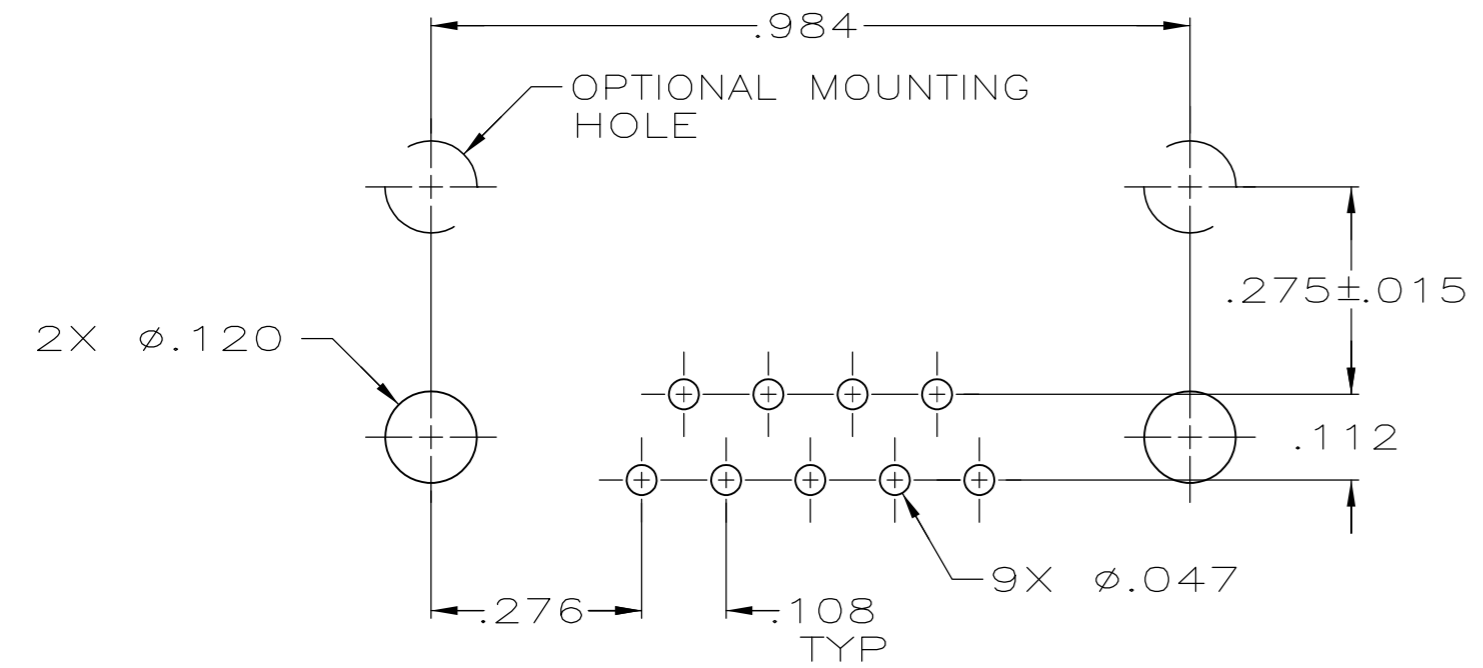
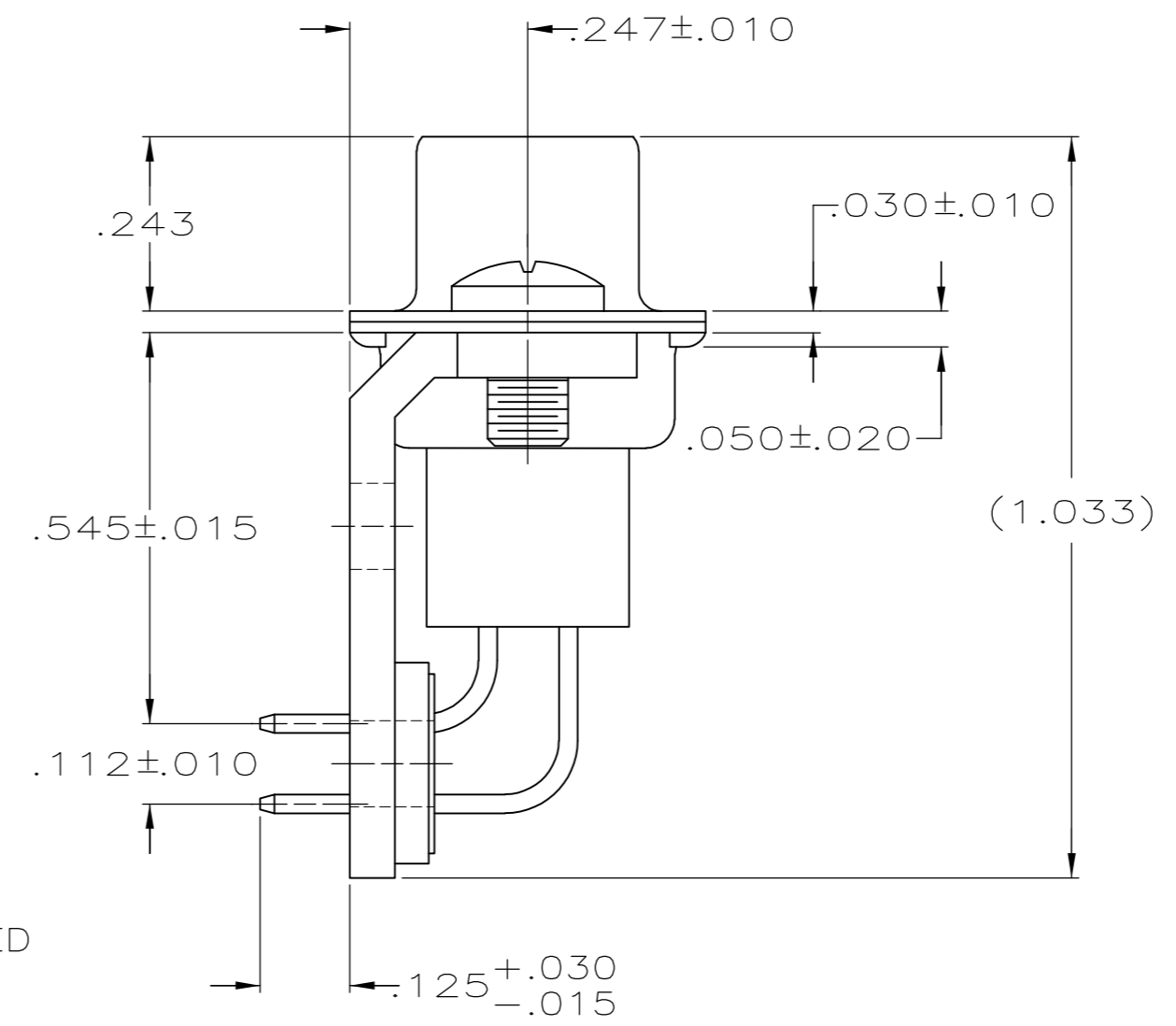
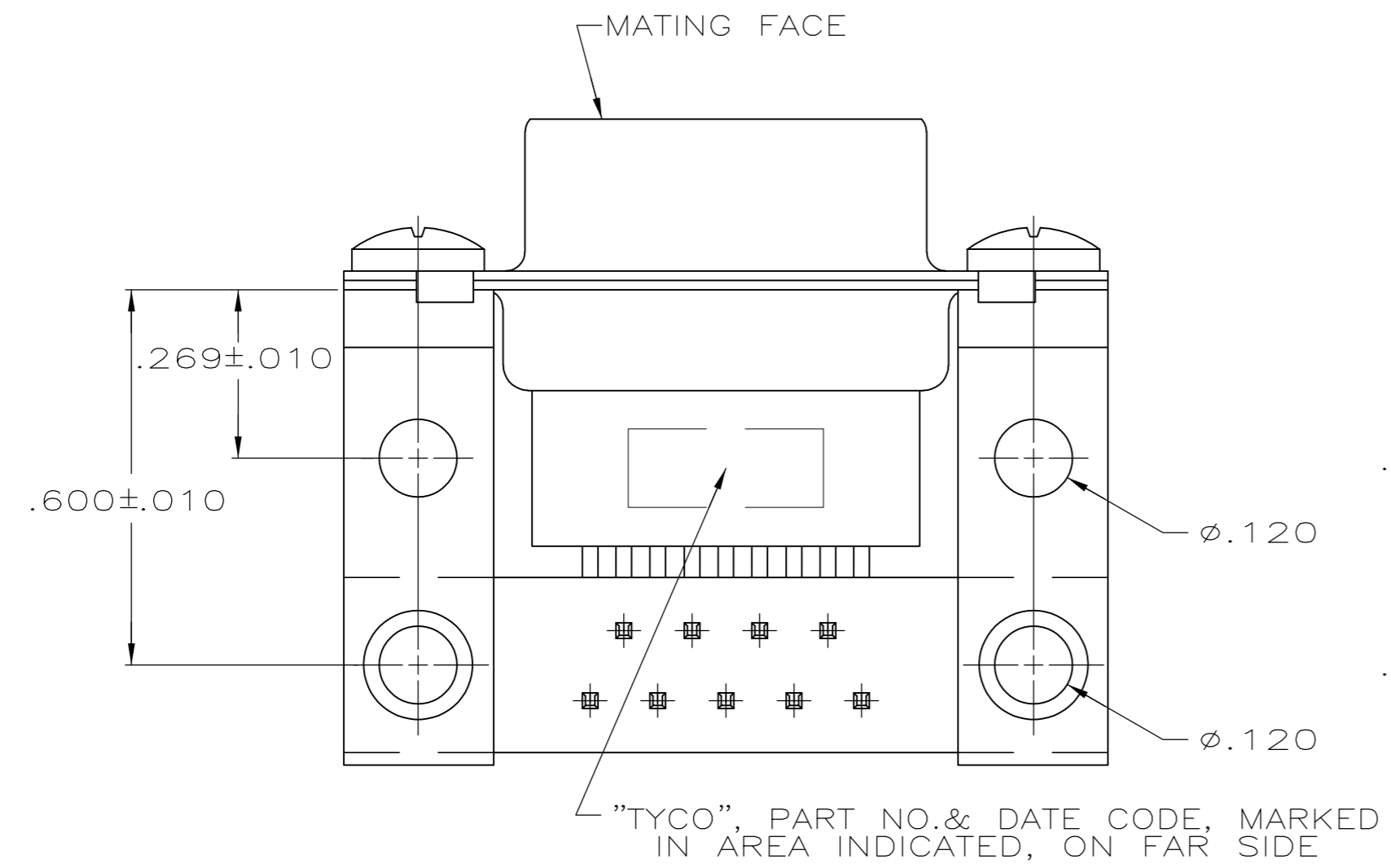


THIS DRAWING IS UNPUBLISHED. RELEASED FOR PUBLICATION
 © COPYRIGHT 2005 By - ALL RIGHTS RESERVED.

| LOC | | DIST | | REVISIONS | | | |
|-----|-----|-------------|---------------------------|-----------|------|----|--|
| P | LTR | DESCRIPTION | DATE | DWN | APVD | | |
| GP | 00 | B | REVISED PER ECO-14-011808 | 11AUG2014 | AP | SB | |



- 1 MOLDED PARTS: GLASS-FILLED PBT OR GLASS-FILLED NYLON, UL94V-0 RATED. COLOR BLACK.
SHELLS & BRACKETS: CARBON STEEL
CONTACTS: PHOS BRONZE
- 2 SHELLS: .000200 MIN TIN OVER .000100 MIN COPPER.
BRACKETS: .000200 MIN TIN OVER .000050 MIN COPPER.
CONTACTS: .000030 MINIMUM GOLD FOR A LENGTH OF .100 MINIMUM FROM MATING END, .000100 MINIMUM TIN ON OPPOSITE END, BOTH OVER .000050 MINIMUM NICKEL
-OR-
GOLD FLASH OVER .000030 MINIMUM PALLADIUM NICKEL PLATED FOR LENGTH OF .100 MINIMUM FROM MATING END, .000100 MINIMUM TIN ON OPPOSITE END, BOTH OVER .000050 MINIMUM NICKEL.



5745112
 5745112-2
 PART NUMBER

| | | | | | | |
|---|--|--------------------------------|------------------|---|--------------|---------------|
| THIS DRAWING IS A CONTROLLED DOCUMENT. | | DWN D. HENNY 8-21-05 | | RECEPTACLE ASSEMBLY, SIZE 1, 9 POSITION., RIGHT ANGLE, .545 SERIES, .025 SQ. POSTS, AMPLIMITE HDP | | |
| DIMENSIONS: INCHES | | CHK S. BOLASH 8-21-05 | | NAME | SIZE | RESTRICTED TO |
| TOLERANCES UNLESS OTHERWISE SPECIFIED: | | APVD M. WALMSLEY 8-21-05 | | PRODUCT SPEC | CAGE CODE | DRAWING NO |
| 0 PLC ± - 1 PLC ± - 2 PLC ± - 3 PLC ± .005 4 PLC ± - ANGLES ± 2° | | APPLICATION SPEC | | 108-40025 | 00779 | 5745112 |
| MATERIAL | | WEIGHT | CUSTOMER DRAWING | | SCALE | |
| 1 | | 2 | 4:1 | | SHEET 1 of 1 | |
| | | | | | REV B | |