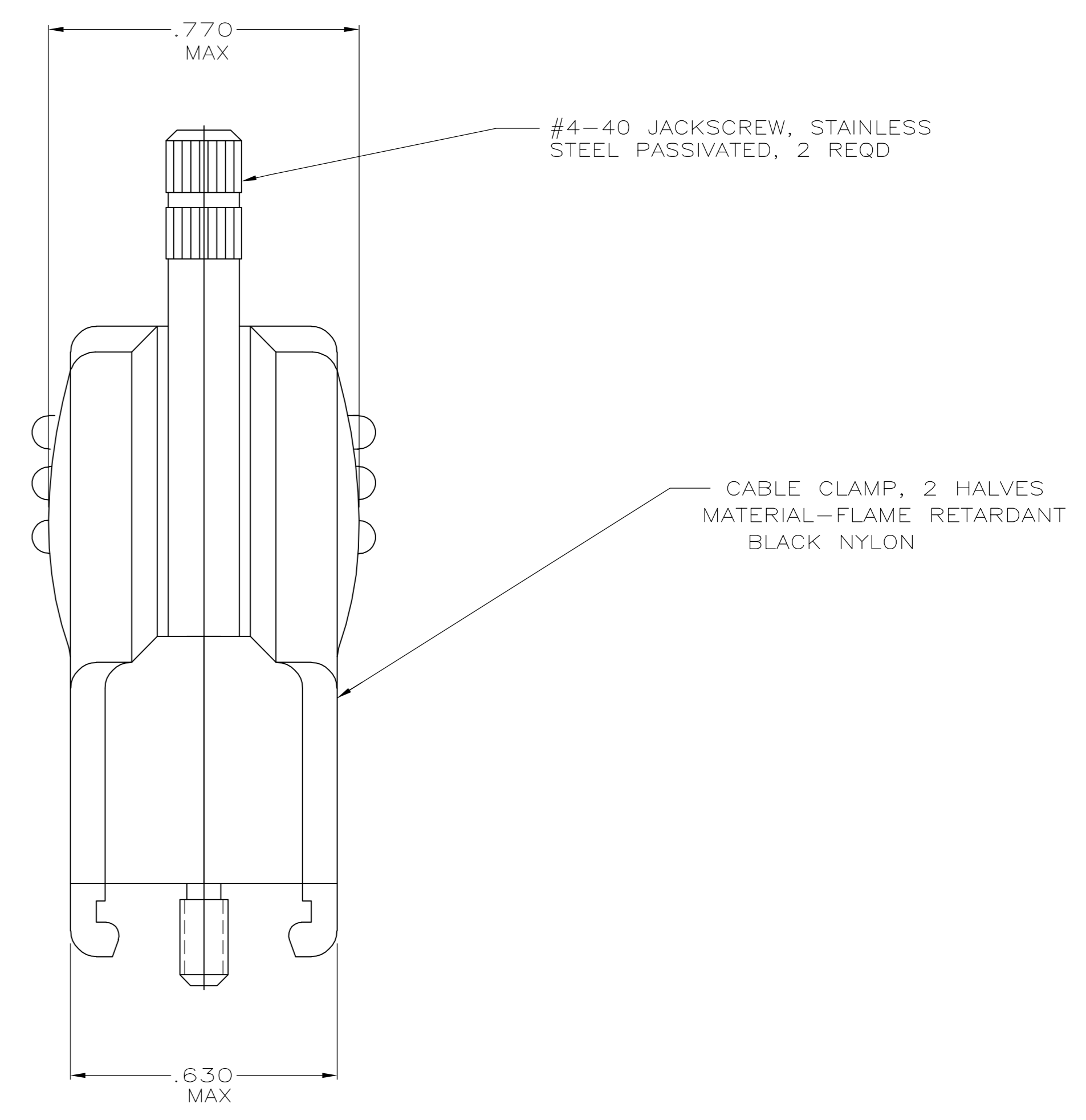
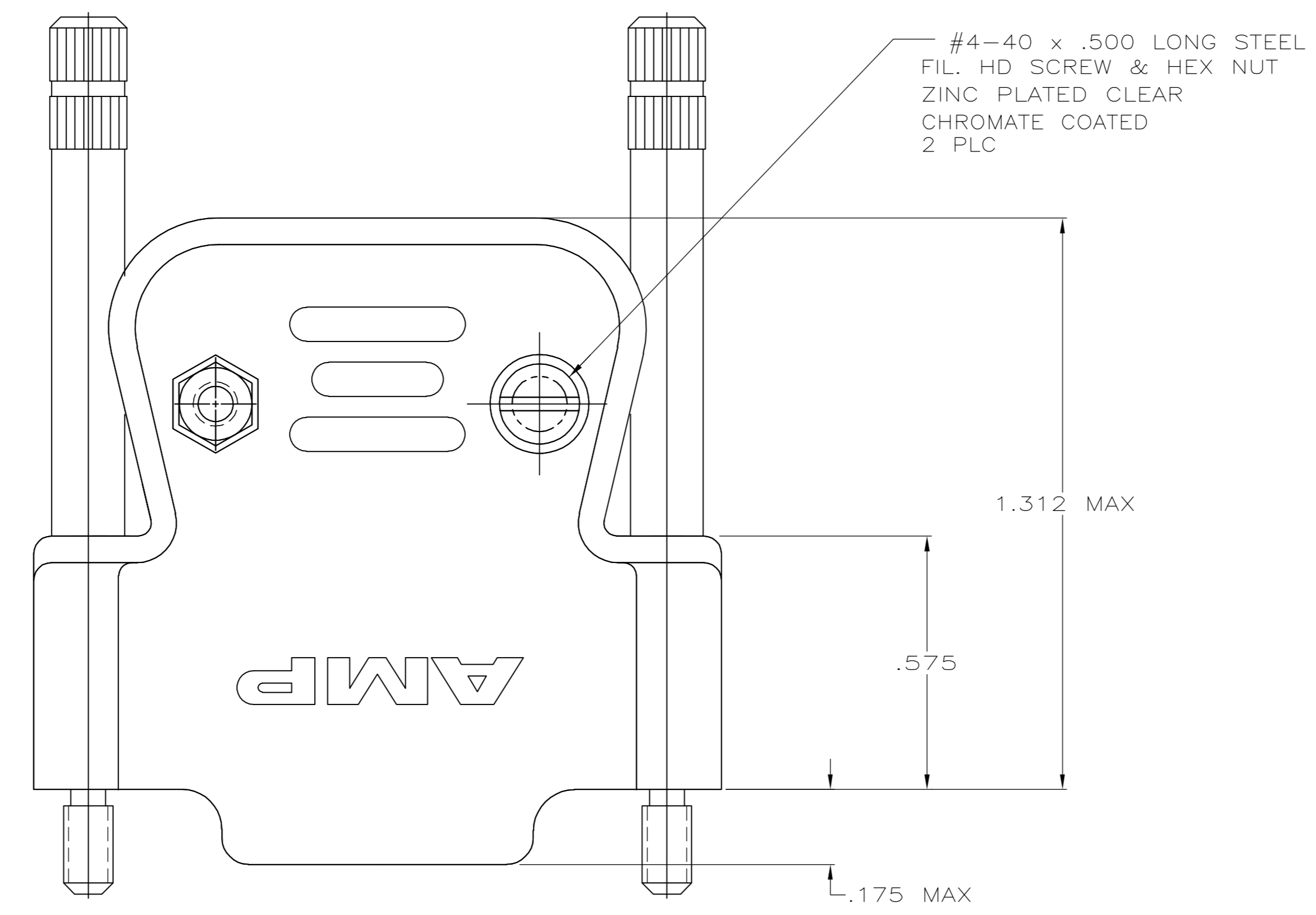
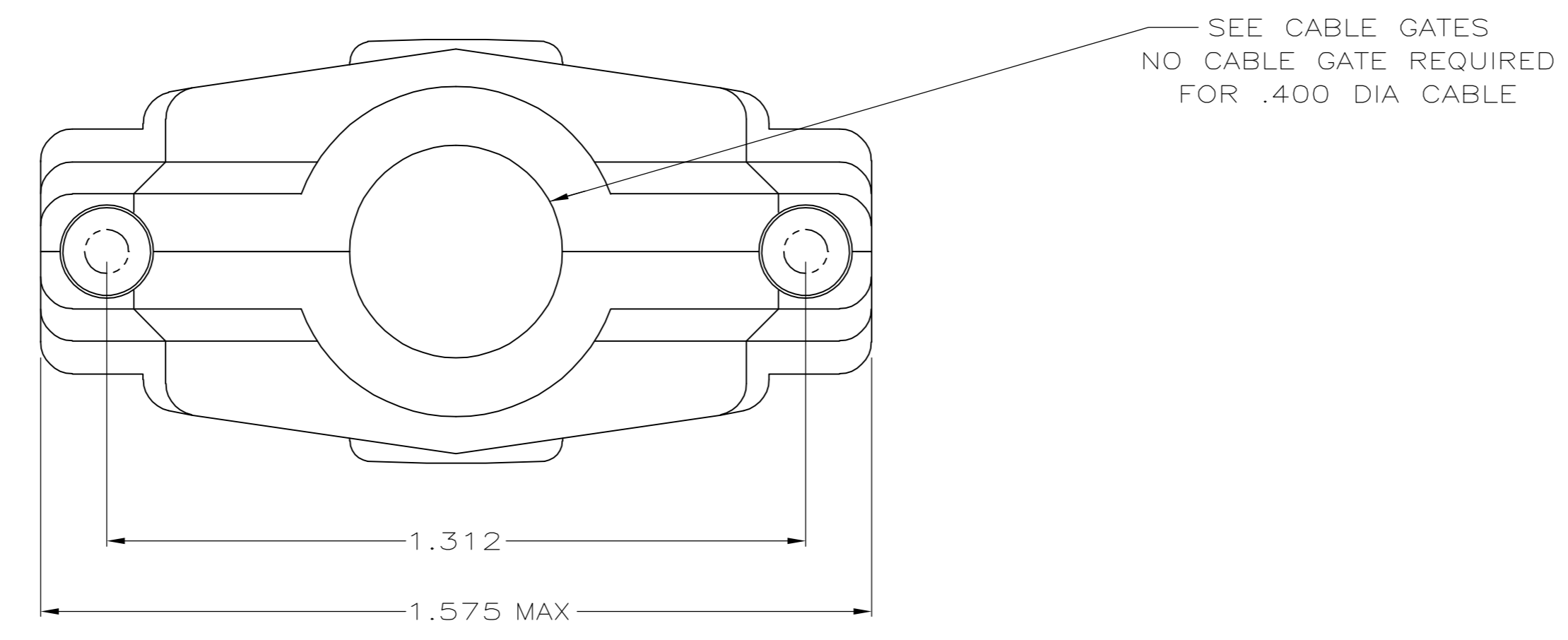


CABLE GATES



1. PARTS PACKAGED UNASSEMBLED.

5745122-2
 PART NO

THIS DRAWING IS A CONTROLLED DOCUMENT.		DWN R. RICHARDSON 14SEP05	Tyco Electronics Corporation Harrisburg, PA 17105-3608																		
DIMENSIONS: INCHES		CHK C. ROHDE 14SEP05																			
TOLERANCES UNLESS OTHERWISE SPECIFIED:		APVD M. WALMSLEY 14SEP05	NAME CABLE CLAMP SIZE 2, 15 POSITIONS CONNECTOR WITH TURNABLE JACKSCREWS, AMPLIMITE																		
<table border="1"> <tr><td>0 PLC</td><td>±</td><td>-</td></tr> <tr><td>1 PLC</td><td>±</td><td>-</td></tr> <tr><td>2 PLC</td><td>±</td><td>-</td></tr> <tr><td>3 PLC</td><td>±</td><td>-</td></tr> <tr><td>4 PLC</td><td>±</td><td>-</td></tr> <tr><td>ANGLES</td><td>±</td><td>±</td></tr> </table>		0 PLC	±	-	1 PLC	±	-	2 PLC	±	-	3 PLC	±	-	4 PLC	±	-	ANGLES	±	±	PRODUCT SPEC -	APPLICATION SPEC -
0 PLC	±	-																			
1 PLC	±	-																			
2 PLC	±	-																			
3 PLC	±	-																			
4 PLC	±	-																			
ANGLES	±	±																			
MATERIAL SEE CALLOUTS	FINISH SEE CALLOUTS	WEIGHT -	RESTRICTED TO -																		
CUSTOMER DRAWING		SIZE A1	SCALE 4:1																		
		CAGE CODE 00779	DRAWING NO 5745122																		
		SHEET 1	OF 1																		
		REV 0																			