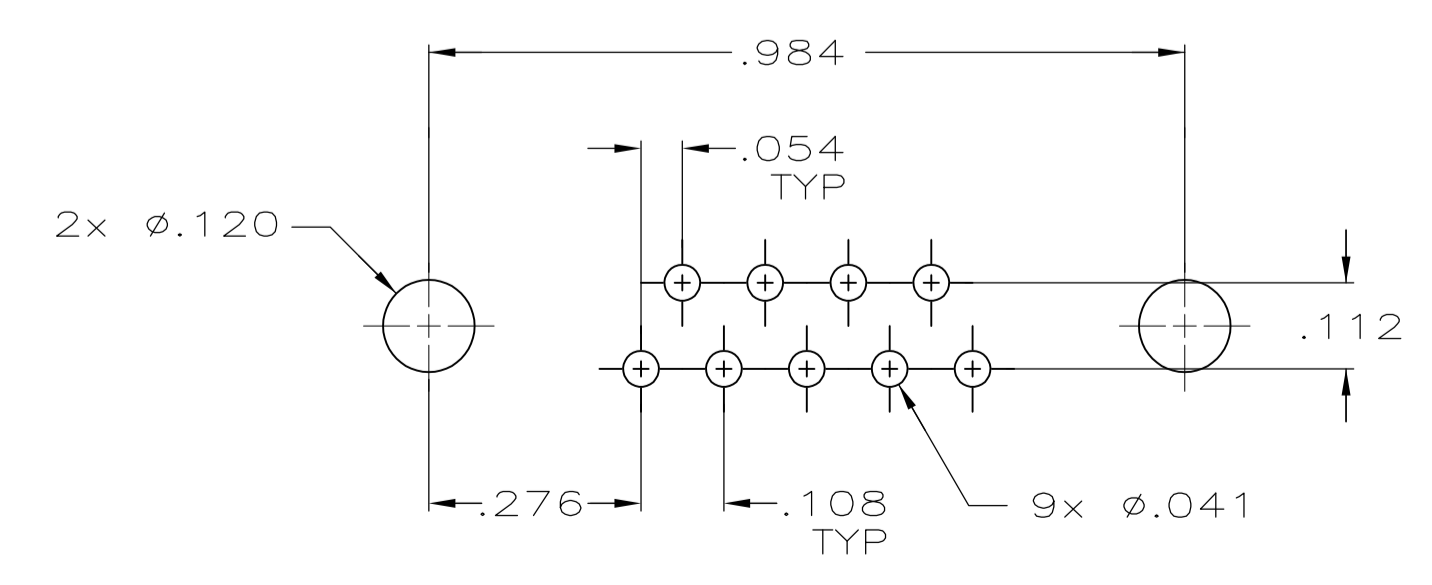
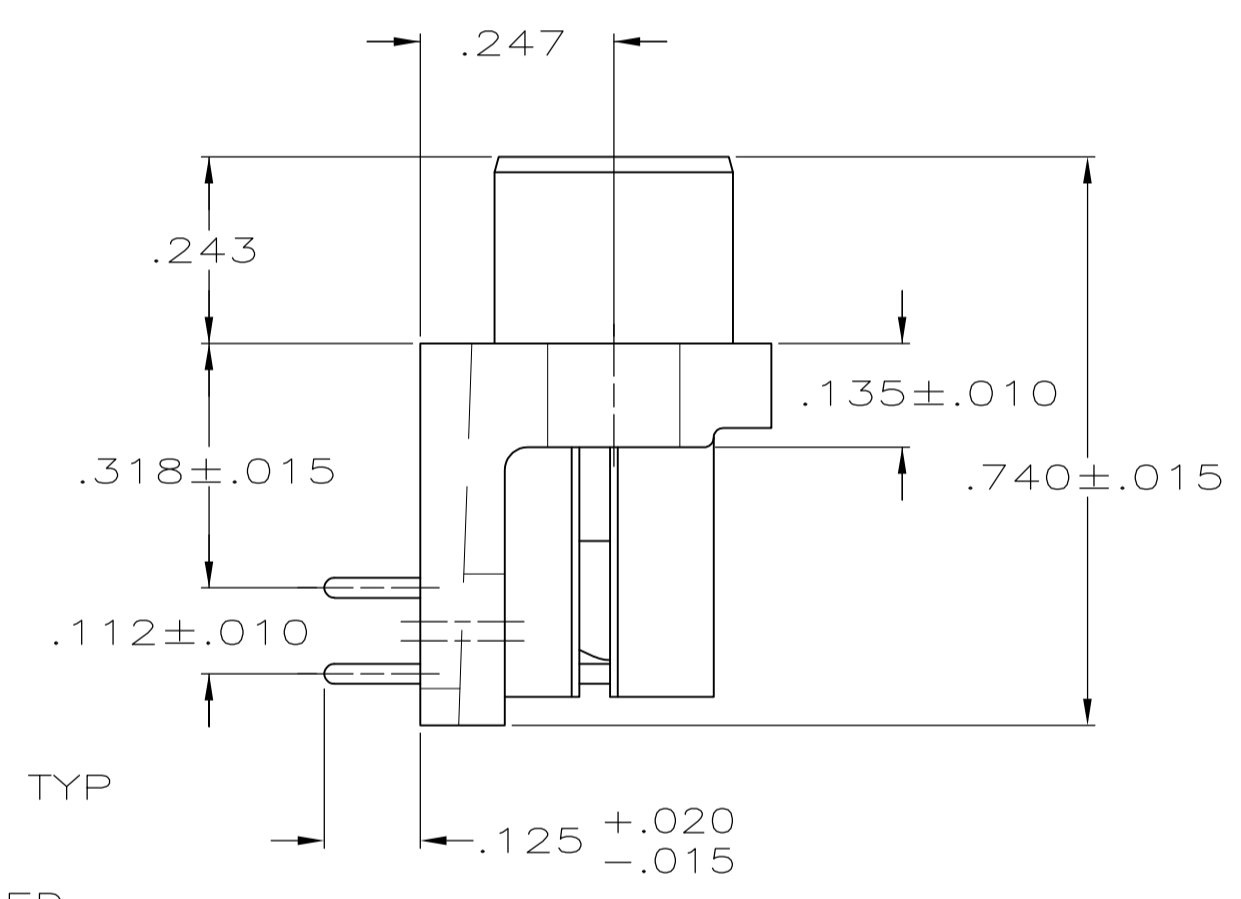
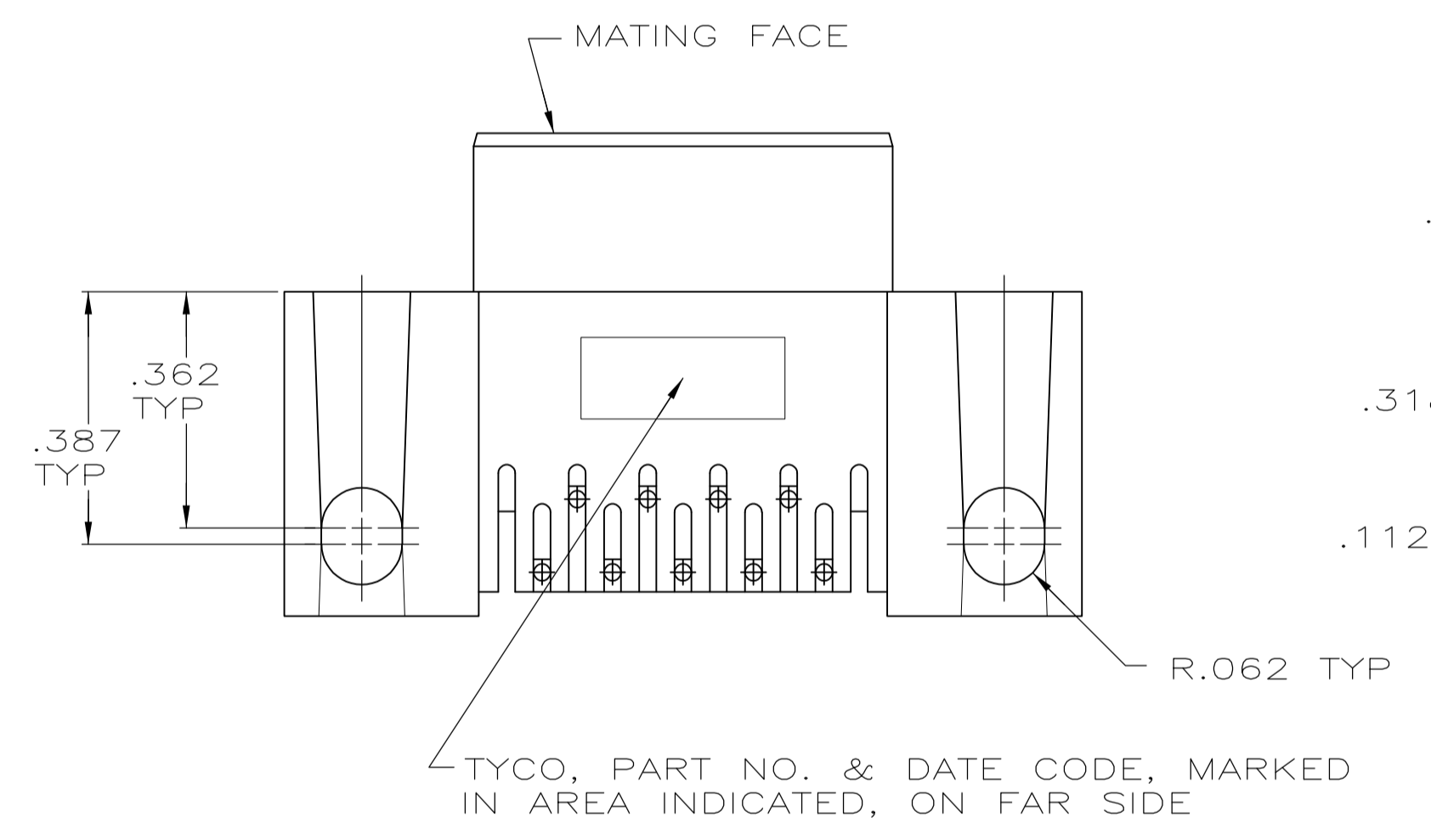
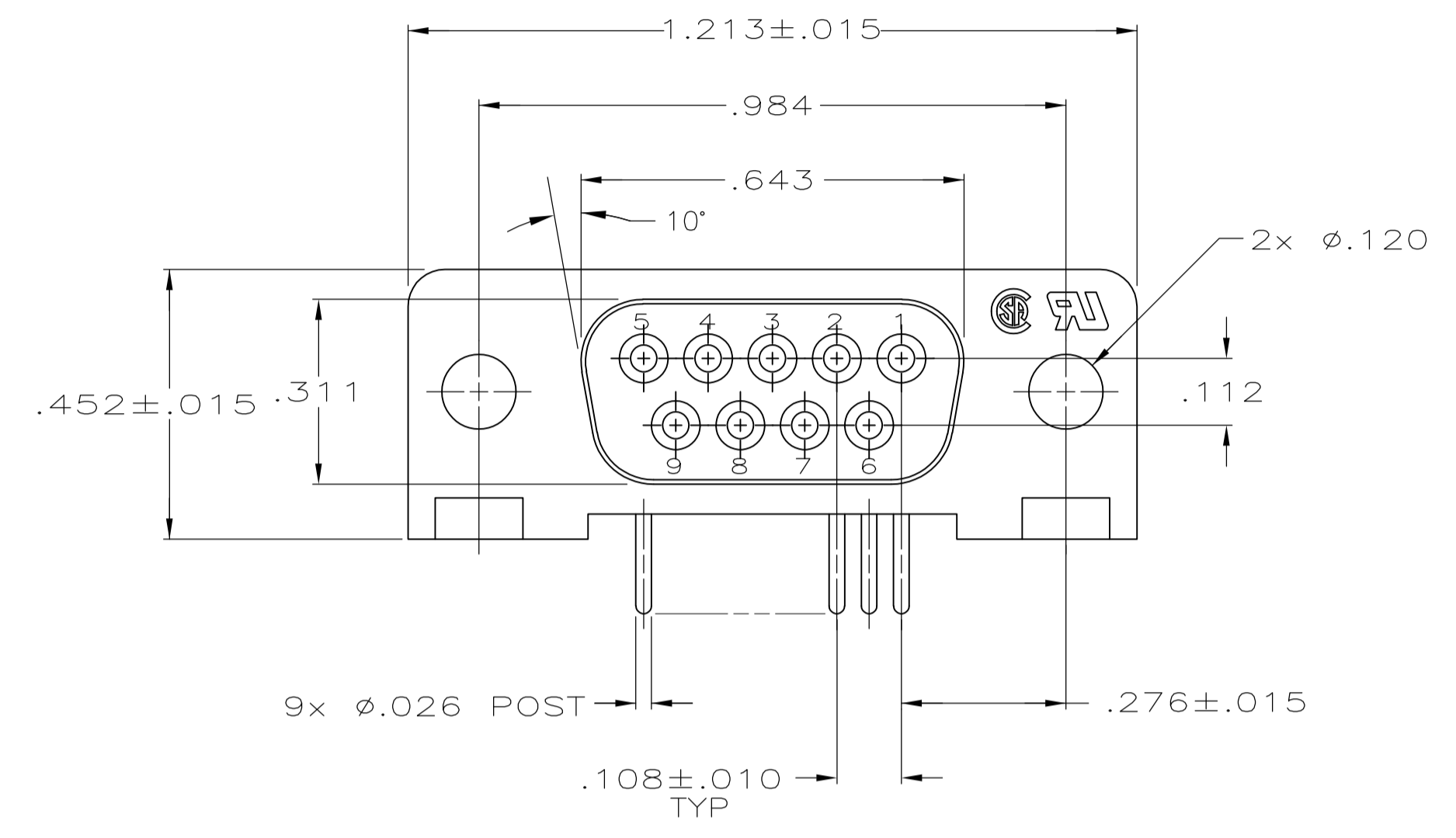


LOC		DIST		REVISIONS			
P	LTR	DESCRIPTION	DATE	DN	APVD		
P		REVISED PER ECO-11-004835	11MAR11	RK	HMR		



P.C. BOARD MOUNTING DIMENSIONS  $\triangle 2$

- $\triangle 1$  HOUSING: FLAME RETARDANT, 94V-0 RATED, GLASS FILLED NYLON OR POLYESTER, COLOR: BLACK. CONTACTS: PHOS. BRONZE.
- $\triangle 2$  REFER TO APPLICATION SPEC FOR RECOMMENDED P.C. BOARD MOUNTING DIMENSIONS FOR AUTOMATIC INSERTION.
- $\triangle 3$  CONTACTS: PLATED WITH GOLD FLASH FOR LENGTH OF .055 MIN FROM MATING END, .000100 MIN TIN ON SOLDER END, ALL OVER .000050 MIN NICKEL ON ENTIRE CONTACT.

5745131-1  
PART NUMBER

**COPYRIGHT 2005  
TE CONNECTIVITY CORP  
ALL RIGHTS RESERVED**

THIS DRAWING IS A CONTROLLED DOCUMENT.		DIN G. PETERS 14SEP05	TE Connectivity	
DIMENSIONS: INCHES		CHK S. BOLASH 14SEP05	NAME	
TOLERANCES UNLESS OTHERWISE SPECIFIED:		APPD M. WALMSLEY 14SEP05	RECEPTACLE ASSY, SIZE 1, 9 POSN, RIGHT ANGLE, .318 SERIES, .026 DIA POSTS, AMPLIMITE HD-20	
0. PLC ± - 1. PLC ± - 2. PLC ± - 3. PLC ± .005 4. PLC ± - ANGLES ± °		PRODUCT SPEC 108-40025	SIZE 114-40015	RESTRICTED TO
MATERIAL		FINISH	WEIGHT	SCALE
$\triangle 1$		$\triangle 3$	A1 00779 C=5745131	4:1
CUSTOMER DRAWING		SHEET 1 OF 1		REV P