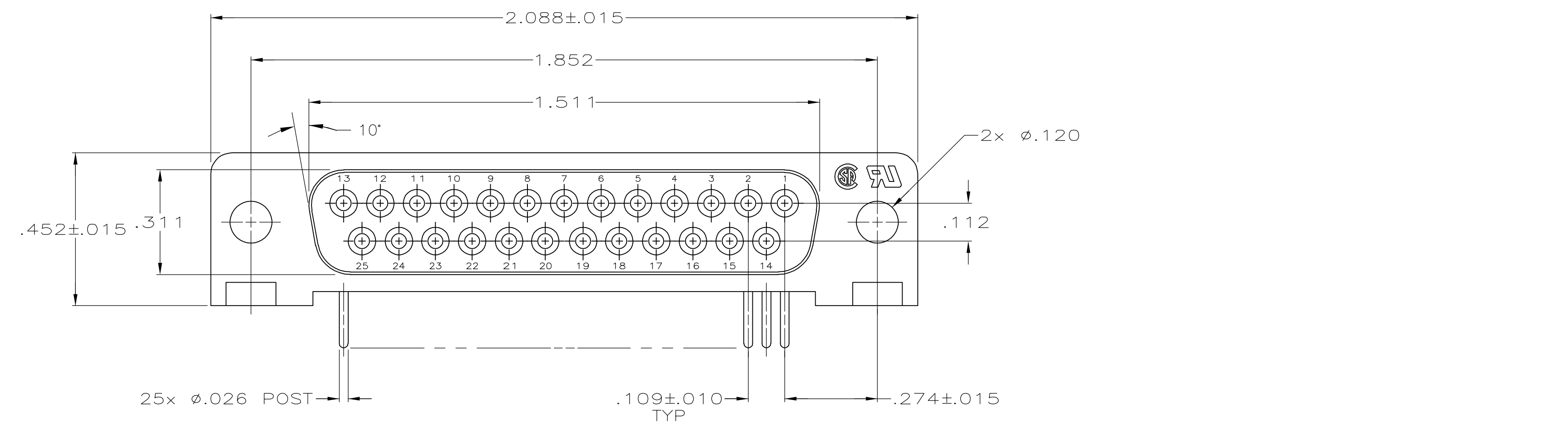
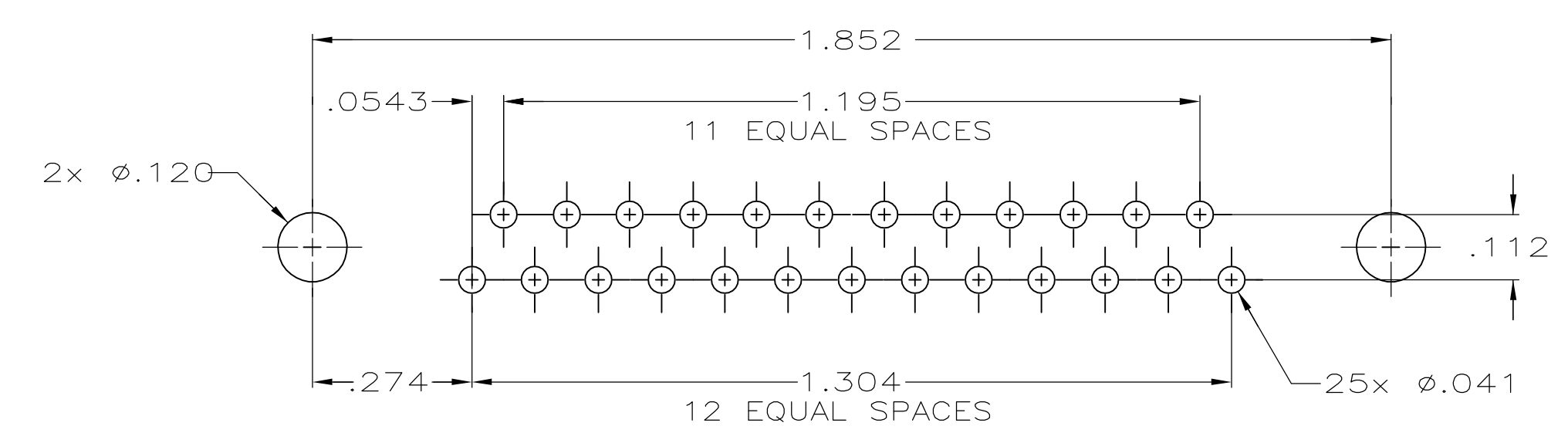
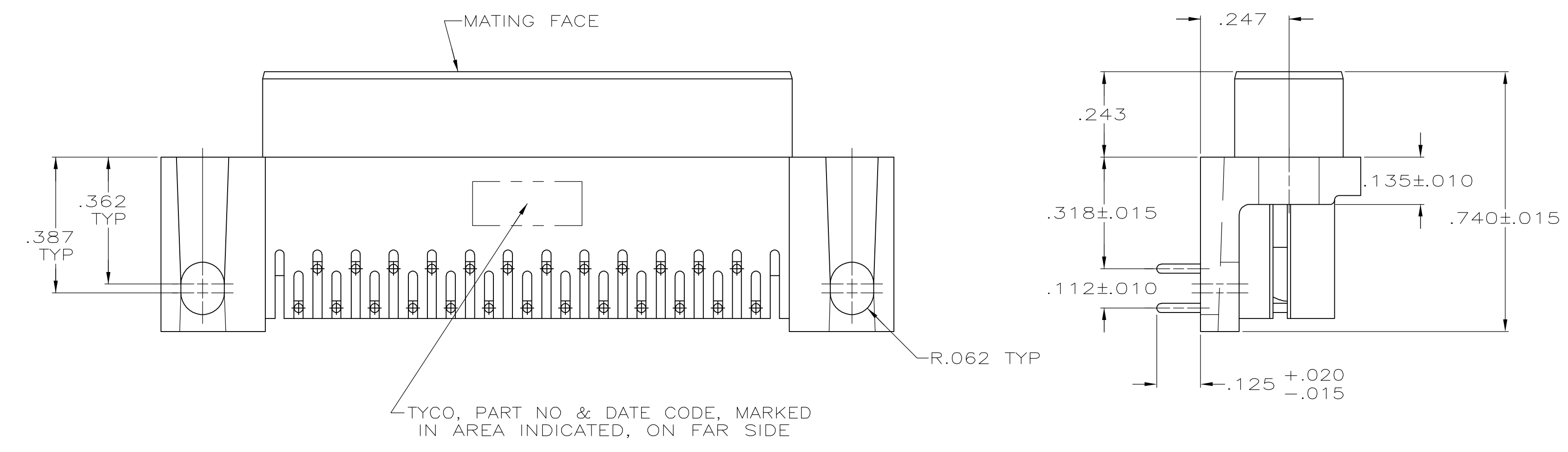


| LOC | | DIST | | REVISIONS | | | |
|-----|------|------------------------------|---------|-----------|------|--|--|
| REV | DATE | DESCRIPTION | DATE | DWN | APPD | | |
| 0 | | RELEASED PER EC 0813-0087-05 | 14SEP05 | GP | JG | | |



- 1 HOUSING: FLAME RETARDANT, 94V-0 RATED, GLASS FILLED NYLON OR POLYESTER, COLOR: BLACK.
CONTACTS: PHOS. BRONZE
- 2 REFER TO APPLICATION SPEC FOR RECOMMENDED P.C. BOARD MOUNTING DIMENSIONS FOR AUTOMATIC INSERTION.
- 3 CONTACTS: PLATED WITH .000030 MIN GOLD FOR LENGTH OF .055 MIN FROM MATING END, .000100 MIN TIN ON SOLDER END, ALL OVER .000050 MIN NICKEL ON ENTIRE CONTACT.



RECOMMENDED P.C. BOARD MOUNTING DIMENSIONS

**COPYRIGHT 2005
 TYCO ELECTRONICS CORP
 ALL RIGHTS RESERVED**

5745132-2
 PART NUMBER

| | | | | | | |
|--|--|--------------------------------|---------|------------------|---|---|
| THIS DRAWING IS A CONTROLLED DOCUMENT. | | DWN G. PETERS 14SEP05 | 14SEP05 | | Tyco Electronics Corporation Harrisburg, PA 17105-3608 | |
| DIMENSIONS: INCHES | | CHK S. BOLASH 14SEP05 | 14SEP05 | | NAME | RECEPTACLE ASSY, SIZE 3, 25 POSN, RIGHT ANGLE, .318 SERIES, .026 DIA POSTS, AMPLIMITE HD-20 |
| TOLERANCES UNLESS OTHERWISE SPECIFIED: | | APPD M. WALMSLEY 14SEP05 | 14SEP05 | PRODUCT SPEC | 108-40025 | |
| 0 PLC ± - | | | | APPLICATION SPEC | 114-40015 | |
| 1 PLC ± - | | | | SIZE | A1 | |
| 2 PLC ± - | | | | CAGE CODE | 00779 | |
| 3 PLC ± .005 | | | | DRAWING NO | 5745132 | |
| 4 PLC ± - | | | | RESTRICTED TO | - | |
| ANGLES ± ° | | | | WEIGHT | - | |
| FINISH | | | | CUSTOMER DRAWING | SCALE 4:1 SHEET 1 OF 1 REV 0 | |