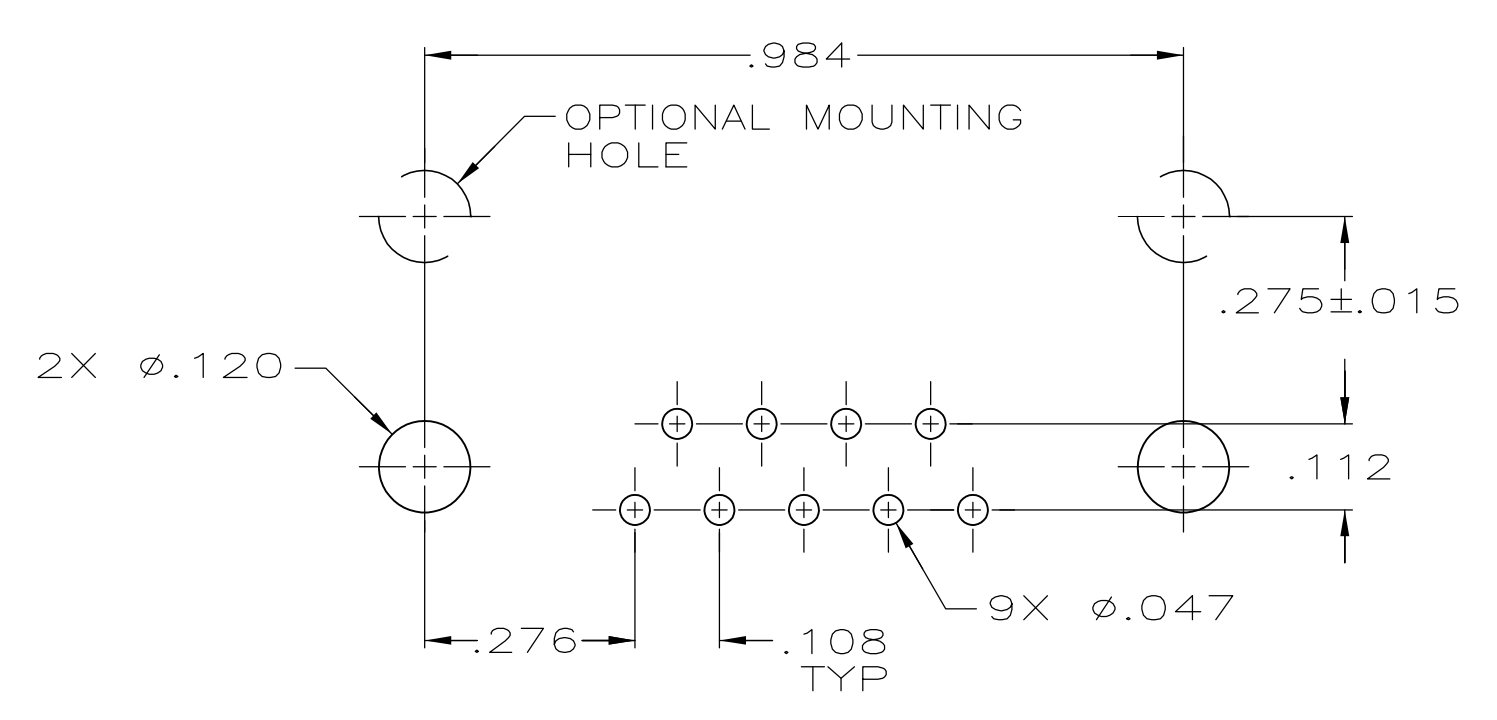
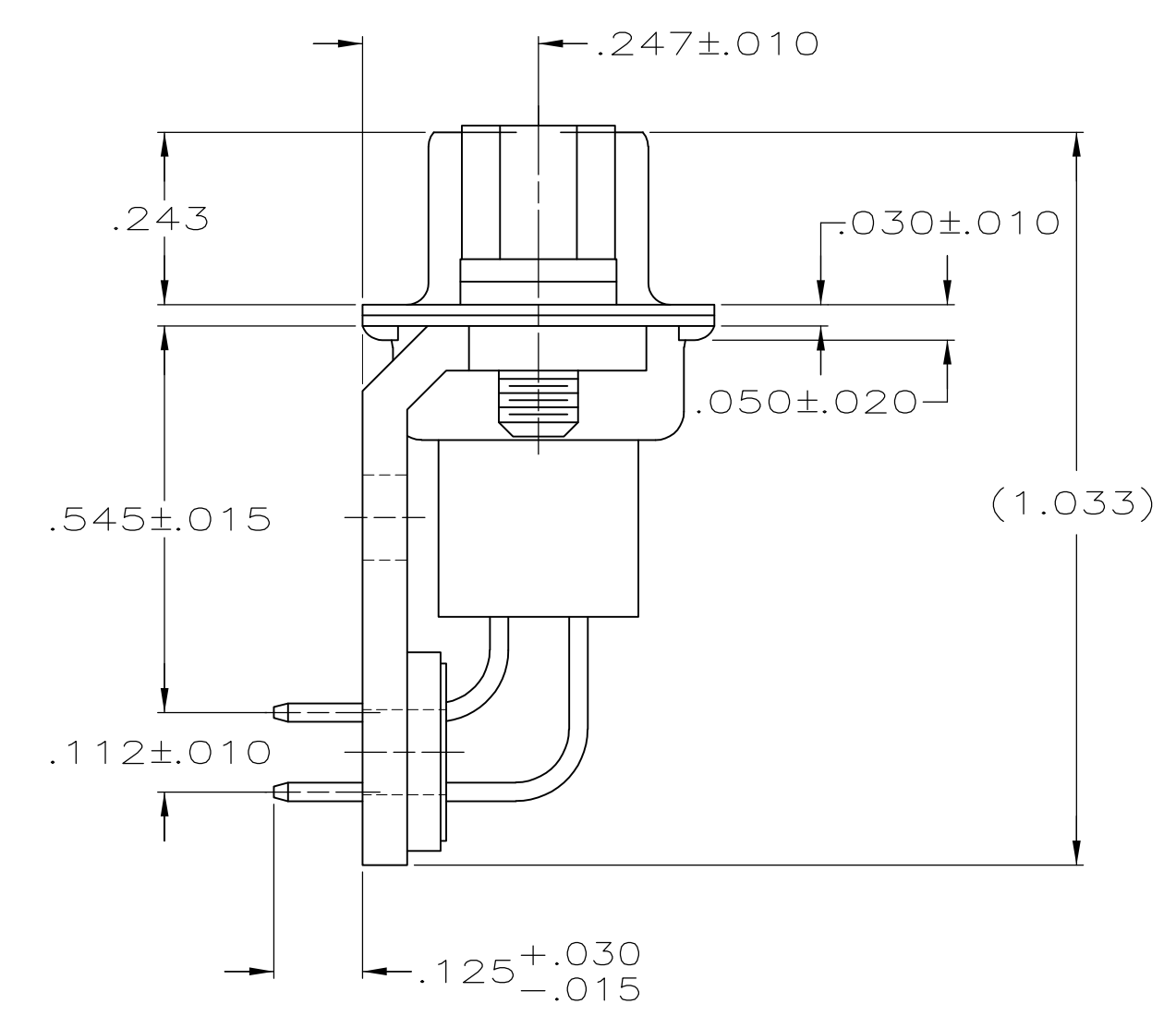
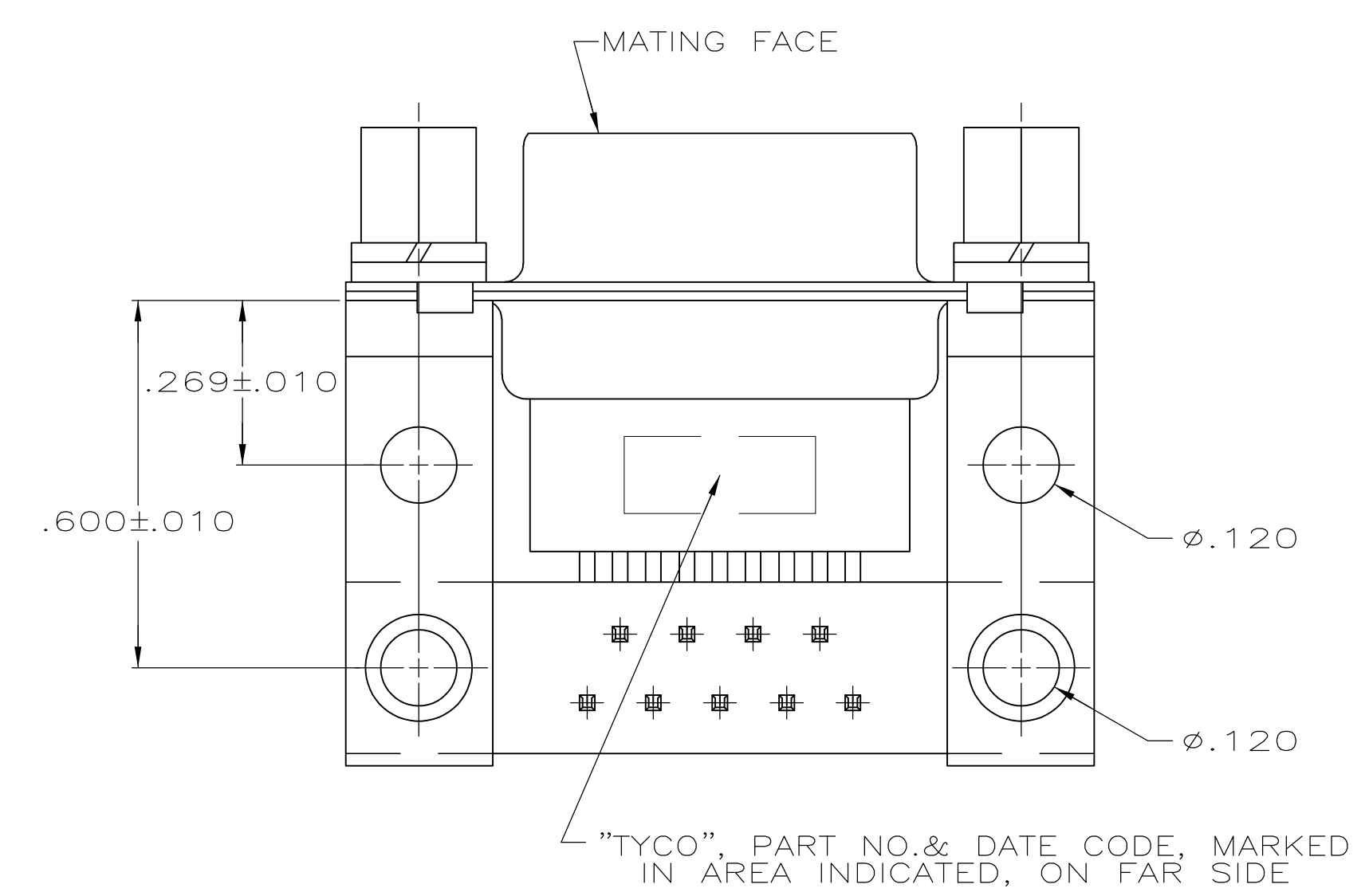
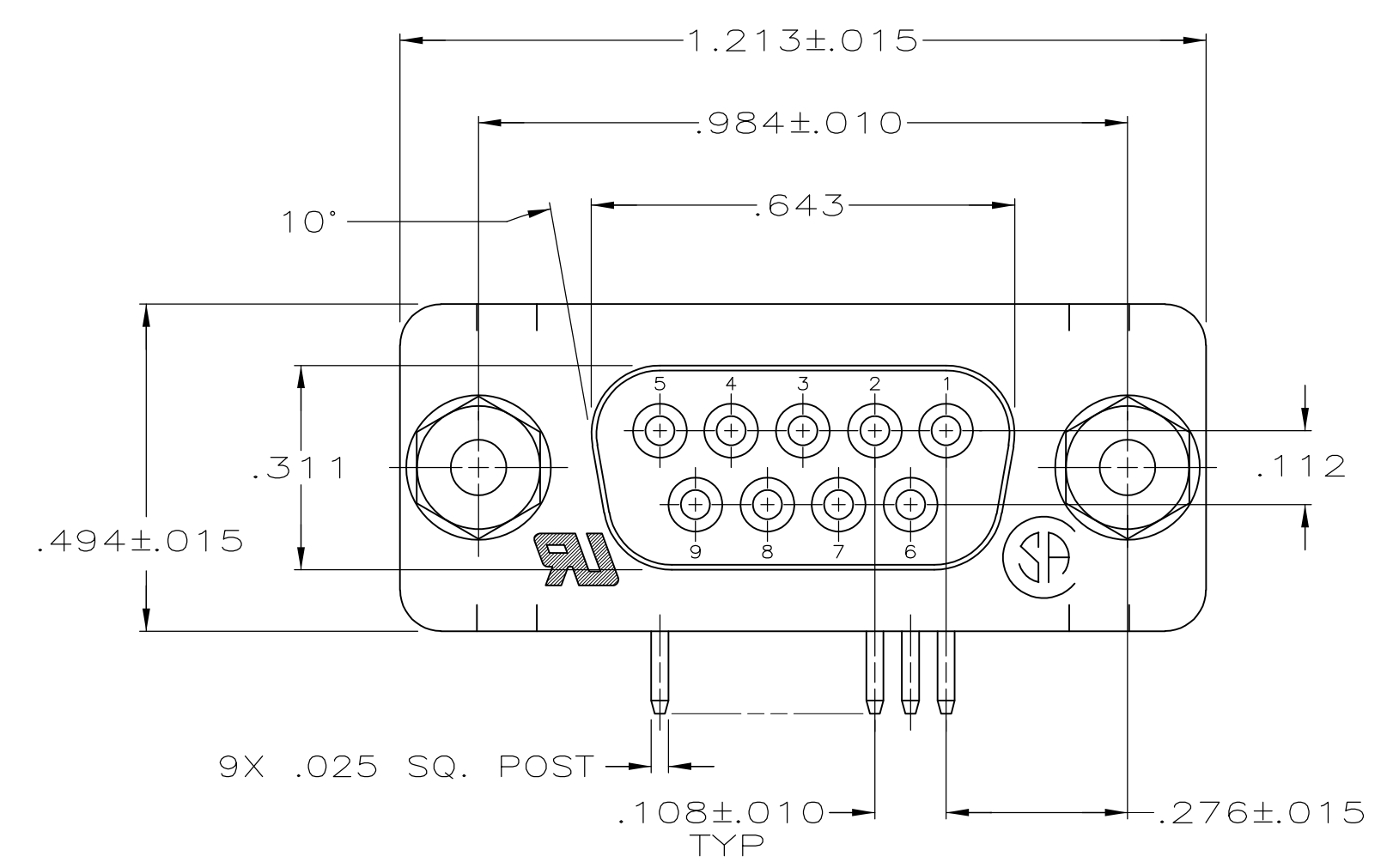


LOC		DIST		REVISIONS			
P	LTR	DESCRIPTION	DATE	DWN	APVD		
B		REVISED PER ECO-14-011808	12AUG2014	AP	SB		



P.C. BOARD MOUNTING DIMENSIONS

- 1 MOLDED PARTS: GLASS-FILLED PBT OR GLASS-FILLED NYLON, UL94V-0 RATED. COLOR: BLACK.
SHELLS & BRACKETS: CARBON STEEL.
CONTACTS: PHOSPHOR BRONZE.
SCREWLOCKS AND WASHERS: CARBON STEEL.
- 2 SHELLS: .000200 MIN TIN OVER .000100 MIN COPPER.
CONTACTS: SEE TABLE.
BRACKETS: .000200 MIN TIN OVER .000050 MIN COPPER.
SCREWLOCKS AND WASHERS: ZINC PLATED WITH CLEAR CHROMATE COATING.
- 3 GOLD FLASH FOR A LENGTH OF .100 MIN FROM MATING END, .000100 MIN TIN ON OPPOSITE END, BOTH OVER .000050 MIN NICKEL.
- 4 .000030 MIN GOLD FOR A LENGTH OF .100 MIN FROM MATING END, .000100 MIN TIN ON OPPOSITE END, BOTH OVER .000050 MIN NICKEL.
-OR-
GOLD FLASH OVER .000030 MIN PALLADIUM NICKEL .100 MIN FROM MATING END, .000100 MIN TIN ON OPPOSITE END, BOTH OVER .000050 MIN NICKEL.

5747020-2
5747020-1
PART NUMBER

THIS DRAWING IS A CONTROLLED DOCUMENT.		DIN D. HENNY 9-9-05	STE TE Connectivity	
DIMENSIONS: INCHES		CHK S. BOLASH 9-9-05	NAME M. WALMSLEY 9-9-05	
TOLERANCES UNLESS OTHERWISE SPECIFIED:		RECEPTACLE ASSEMBLY, SIZE 1, 9 POSITION, RIGHT ANGLE, .545 SERIES, .025 SQ. POSTS, WITH SCREWLOCKS, AMPLIMITE HDP		
0 PLC ± -	1 PLC ± -	PRODUCT SPEC 108-40025	SIZE CAGE CODE DRAWING NO RESTRICTED TO	
2 PLC ± -	3 PLC ± .005	APPLICATION SPEC 114-40013	A1 00779C=5747020	
4 PLC ± -	ANGLES ± °	WEIGHT -	CUSTOMER DRAWING SCALE 4:1 SHEET 1 OF 1 REV B	