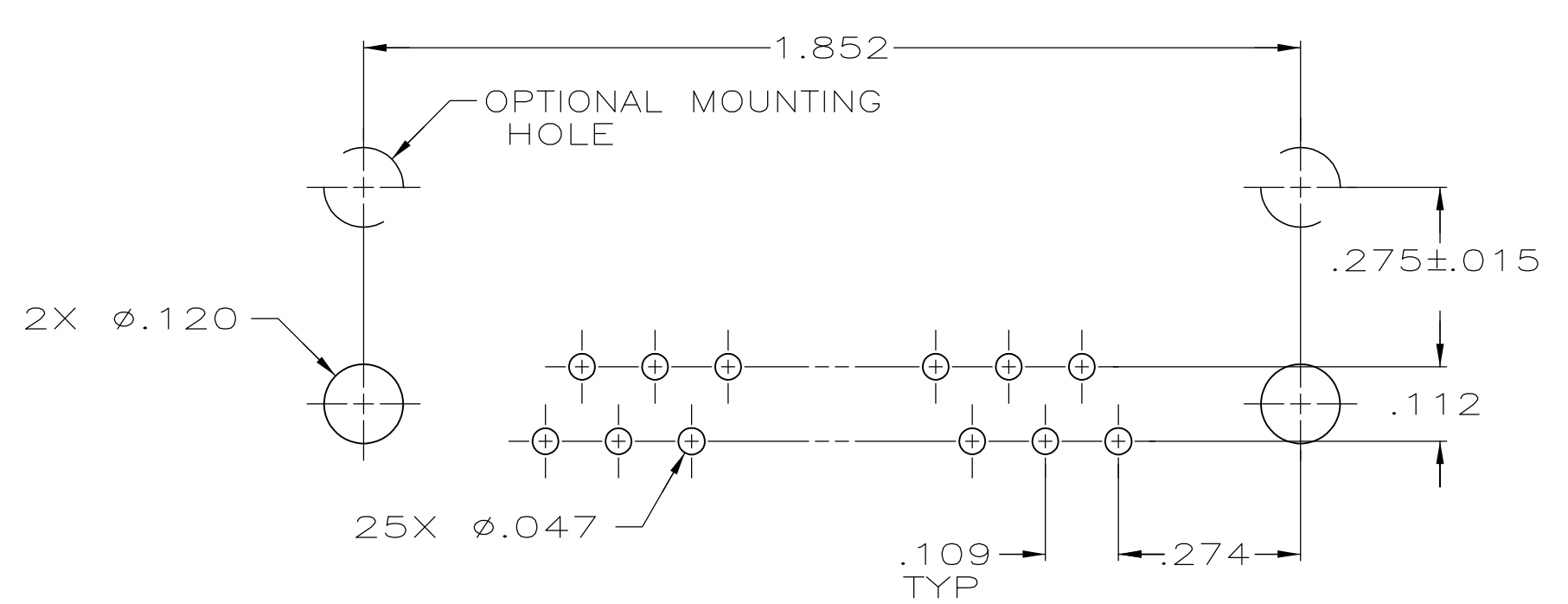
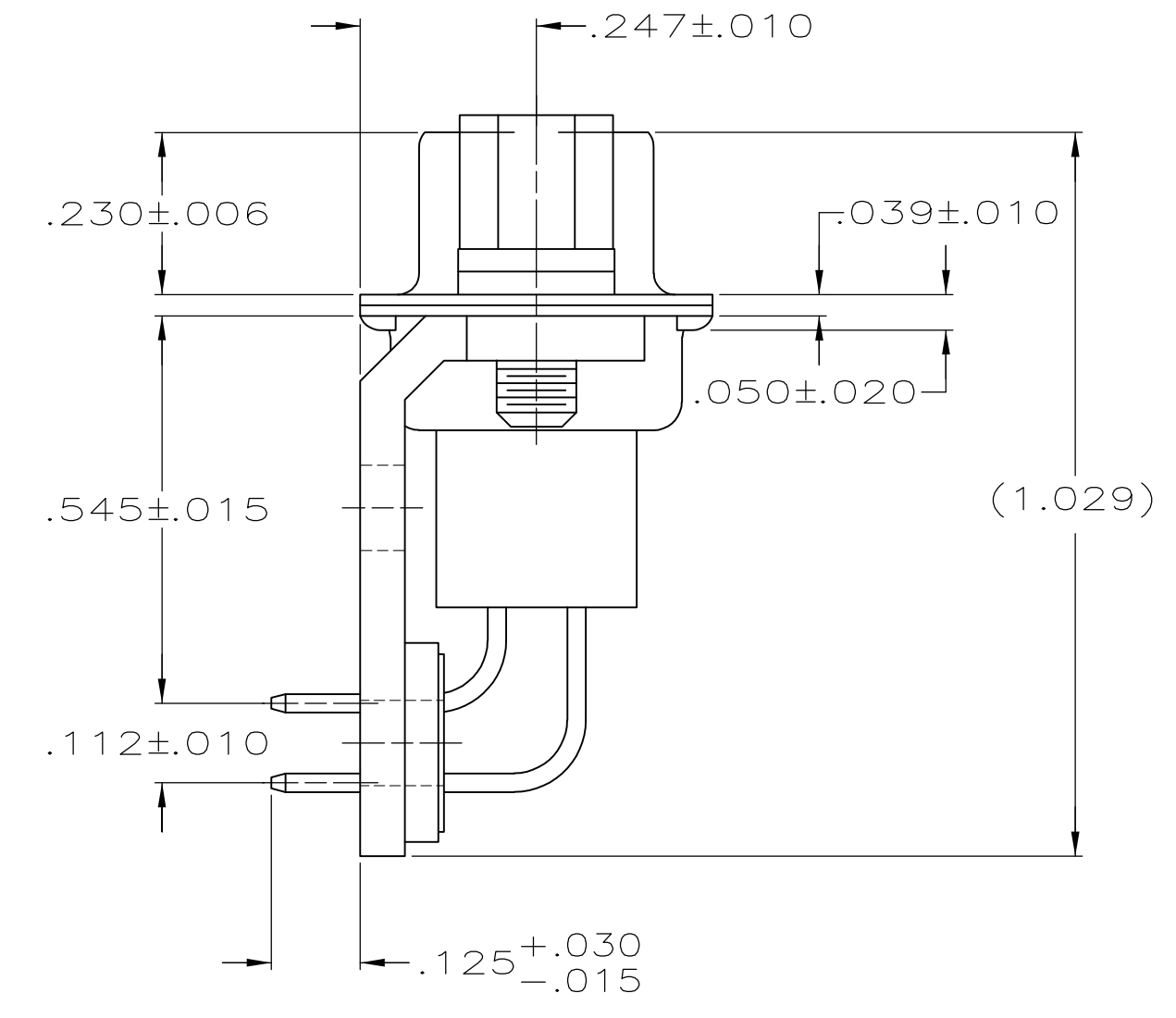
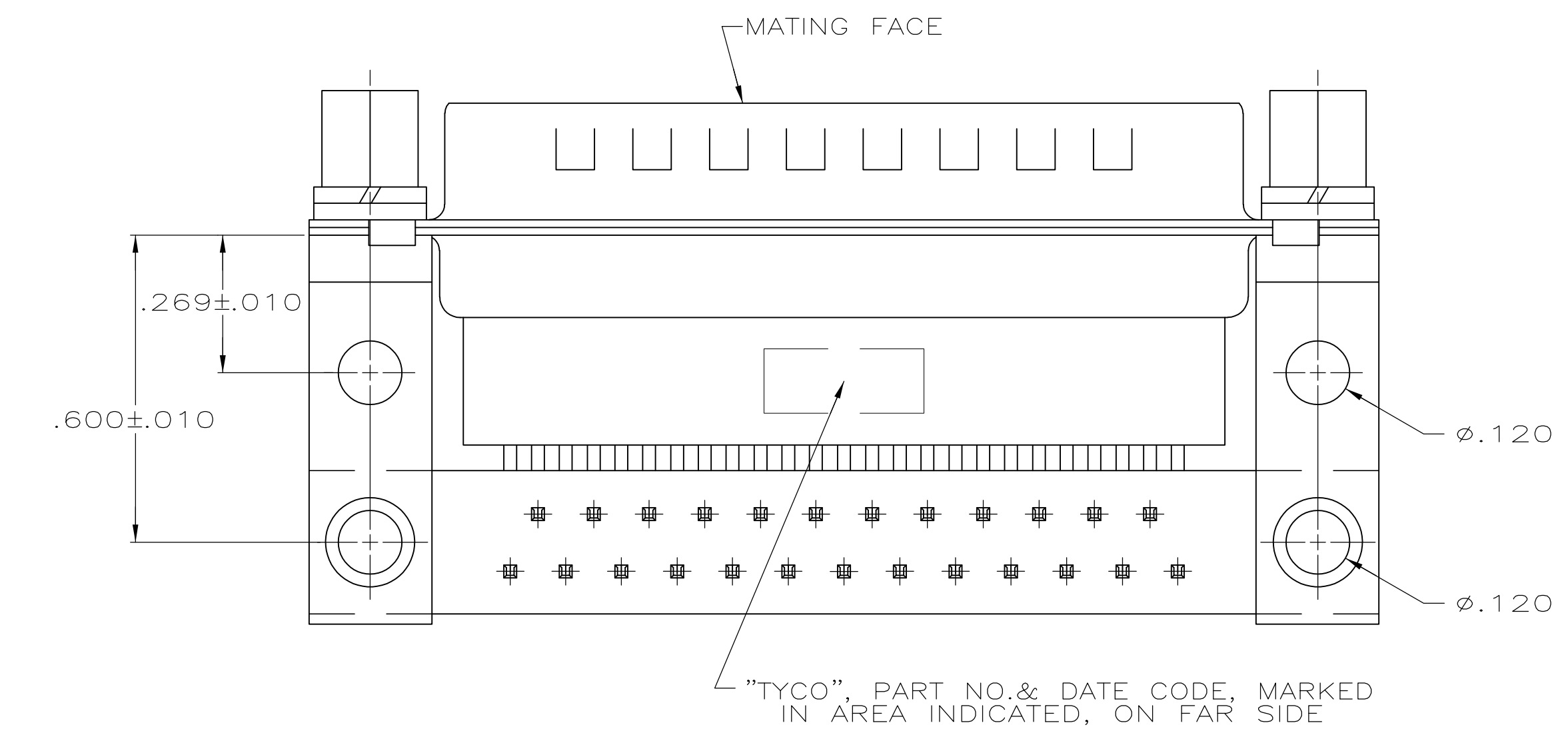
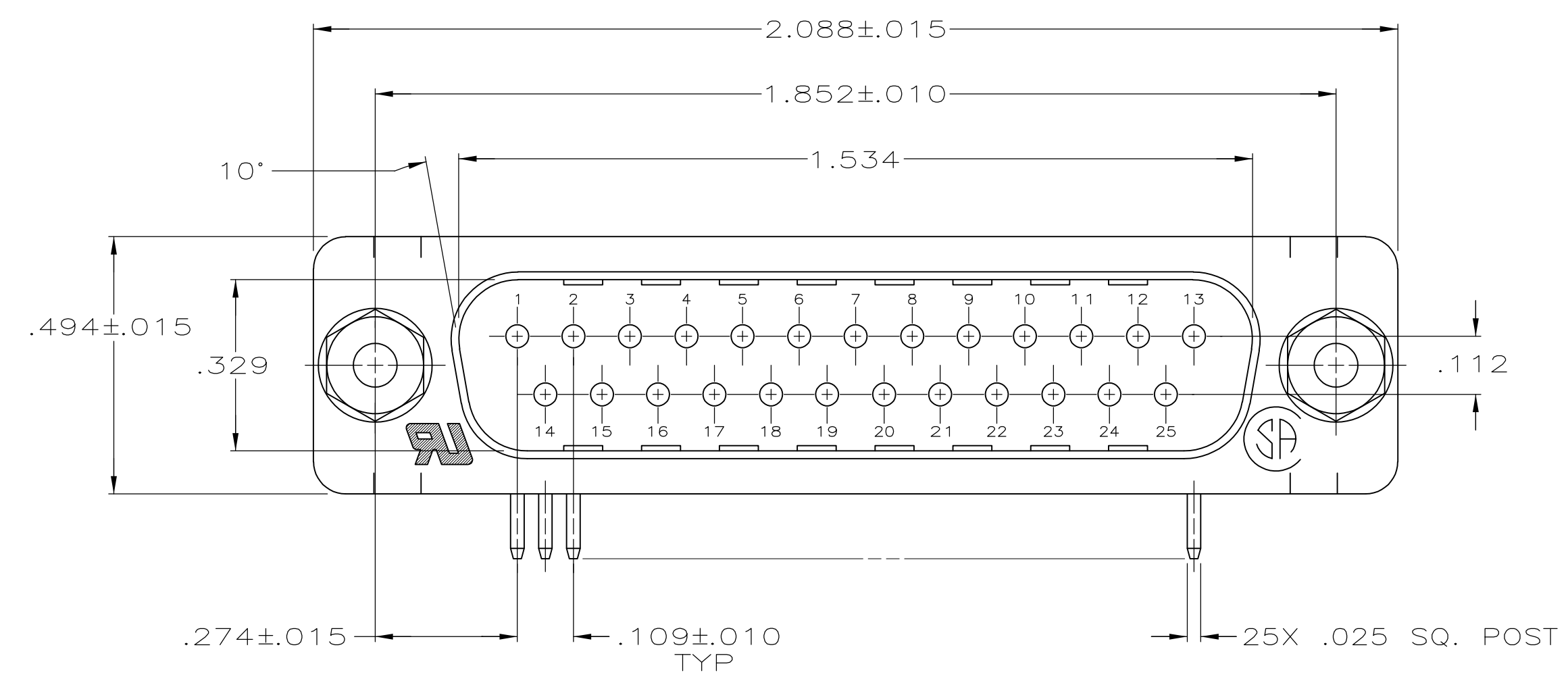


LOC		DIST		REVISIONS			
F	LTR	DESCRIPTION	DATE	DWN	APVD		
B		REVISED PER ECO-14-011808	12AUG2014	AP	SB		



P.C. BOARD MOUNTING DIMENSIONS

- 1 MOLDED PARTS: GLASS-FILLED PBT OR GLASS-FILLED NYLON, UL94V-0 RATED. COLOR: BLACK.
SHELLS & BRACKETS: CARBON STEEL.
CONTACTS: BRASS
SCREWLOCKS AND WASHERS: CARBON STEEL.
- 2 SHELLS: .000200 MIN TIN OVER .000100 MIN COPPER.
BRACKETS: .000200 MIN TIN OVER .000050 MIN COPPER.
SCREWLOCKS AND WASHERS: ZINC PLATED WITH CLEAR CHROMATE COATING.
CONTACTS: GOLD PLATED FOR A LENGTH OF .150 MIN FROM MATING END, .000030 MIN GOLD IN MATED AREA, .000100 MIN TIN ON OPPOSITE END, BOTH OVER .000050 MIN NICKEL.
-OR-
GOLD FLASH OVER PALLADIUM NICKEL PLATED FOR A LENGTH OF .150 MIN FROM MATING END, .000030 MIN PALLADIUM NICKEL IN MATED AREA, .000100 MIN TIN ON OPPOSITE END, BOTH OVER .000050 MIN NICKEL.

5747022-2
PART NUMBER

THIS DRAWING IS A CONTROLLED DOCUMENT.		DIN	D. HENNY	9-4-05	TE Connectivity												
		CHK	S. BOLASH	9-4-05													
DIMENSIONS: INCHES		TOLERANCES UNLESS OTHERWISE SPECIFIED:		NAME: PLUG ASSEMBLY, SIZE 3, 25 POSITION, RIGHT ANGLE, .545 SERIES, .025 SQ. POSTS, WITH SCREWLOCKS, AMPLIMITE HDP													
<table border="1"> <tr><td>0 PL</td><td>± .005</td></tr> <tr><td>1 PL</td><td>± .005</td></tr> <tr><td>2 PL</td><td>± .005</td></tr> <tr><td>3 PL</td><td>± .005</td></tr> <tr><td>4 PL</td><td>± .005</td></tr> <tr><td>ANGLES</td><td>± .2°</td></tr> </table>		0 PL	± .005	1 PL	± .005	2 PL	± .005	3 PL	± .005	4 PL	± .005	ANGLES	± .2°	APVD		M. WALMSLEY 9-4-05	
0 PL	± .005																
1 PL	± .005																
2 PL	± .005																
3 PL	± .005																
4 PL	± .005																
ANGLES	± .2°																
<table border="1"> <tr><td>0</td><td>± .005</td></tr> <tr><td>1</td><td>± .005</td></tr> <tr><td>2</td><td>± .005</td></tr> <tr><td>3</td><td>± .005</td></tr> <tr><td>4</td><td>± .005</td></tr> </table>		0	± .005	1	± .005	2	± .005	3	± .005	4	± .005	PRODUCT SPEC		108-40025			
0	± .005																
1	± .005																
2	± .005																
3	± .005																
4	± .005																
MATERIAL		APPLICATION SPEC		114-40013													
FINISH		SIZE		A1													
CUSTOMER DRAWING		DRAWING NO		00779C=5747022													
SCALE		SHEET		1 OF 1													
REV		REV		B													