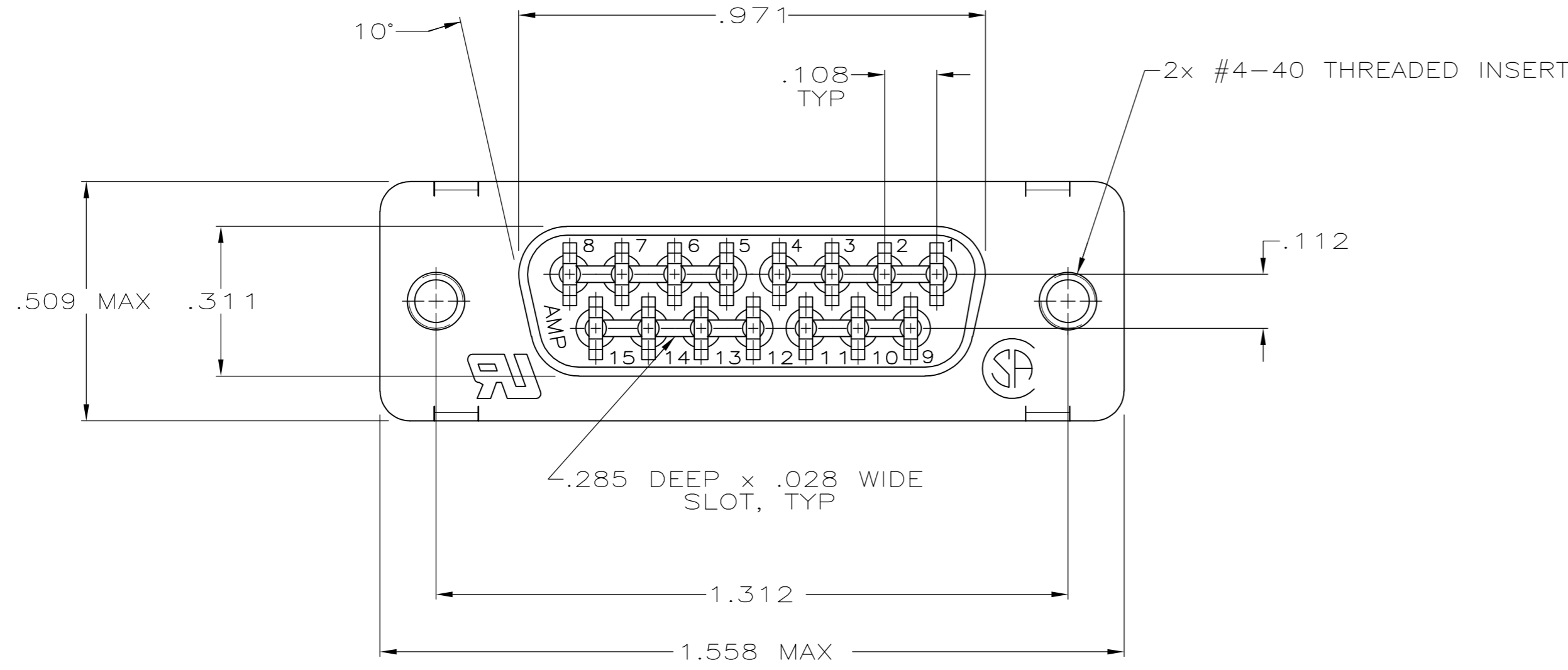
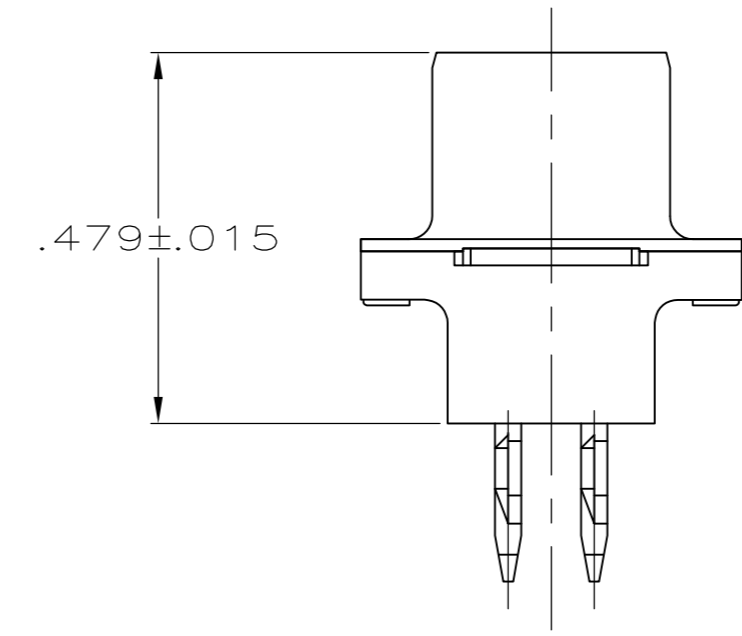
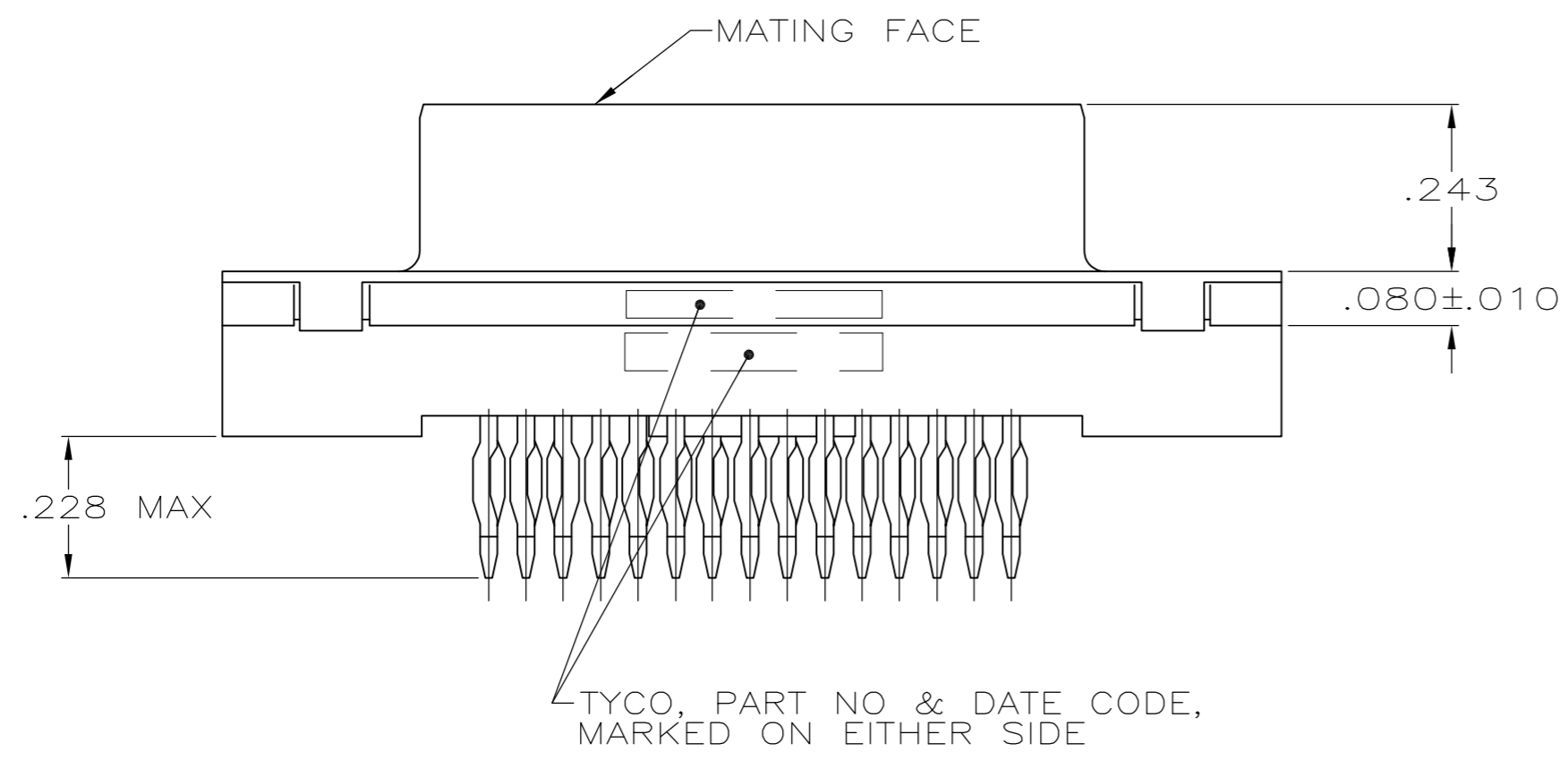


THIS DRAWING IS UNPUBLISHED. RELEASED FOR PUBLICATION
 © COPYRIGHT - By - ALL RIGHTS RESERVED.

LOC		DIST		REVISIONS					
GP		00		P	LTR	DESCRIPTION	DATE	DWN	APVD
				C		REVISED PER ECO-12-000090	26JAN2012	CJV	SLB



- 1 FOR USE WITH .093 MINIMUM THICK PRINTED CIRCUIT BOARD. REFER TO APPLICATION SPECIFICATION FOR PRINTED CIRCUIT BOARD LAYOUT DIMENSIONS AND FINISH RECOMMENDATIONS.
- 2 HOUSING: FLAME RETARDANT 94V-0 RATED THERMOPLASTIC, COLOR BLACK. SHELL: CARBON STEEL. CONTACTS: COPPER ALLOY. INSERTS: BRASS.
- 3 CONTACTS:
 0.76 MICRO METERS [.000030] MINIMUM GOLD IN MATING AREA.
 2.54 MICRO METERS [.000100] MINIMUM TIN ON COMPLIANT PIN.
 ALL OVER 1.27 MICRO METERS [.000050] MINIMUM NICKEL.
 OR
 GOLD FLASH OVER PALLADIUM NICKEL.
 0.76 MICRO METERS [.000030] MINIMUM TOTAL IN MATING AREA.
 2.54 MICRO METERS [.000100] MINIMUM TIN ON COMPLIANT PIN.
 ALL OVER 1.27 MICRO METERS [.000050] MINIMUM NICKEL.



5747141-2
PART NO

**COPYRIGHT 2005
 TYCO ELECTRONICS CORP
 ALL RIGHTS RESERVED**

THIS DRAWING IS A CONTROLLED DOCUMENT. DIMENSIONING AND TOLERANCING PER ASME Y14.5M-2009		DWN B. LATTUCA 07OCT05			
DIMENSIONS: INCHES		CHK S. BOLASH 07OCT05			
TOLERANCES UNLESS OTHERWISE SPECIFIED:		APVD M. WALMSLEY 07OCT05	NAME		
0 PLC ± -	1 PLC ± -	PRODUCT SPEC	RCPT ASSY, SIZE 2, 15 POS, MEDIUM PROFILE, ACTION PIN, METAL SHELL, AMPLIMITE HDP		
2 PLC ± -	3 PLC ± .005	APPLICATION SPEC	SIZE	CAGE CODE	DRAWING NO
4 PLC ± -	ANGLES ± 2°	FINISH	A2	00779	C=5747141
MATERIAL		WEIGHT	RESTRICTED TO		
		CUSTOMER DRAWING	SCALE	SHEET	REV
			4:1	1 of 1	C