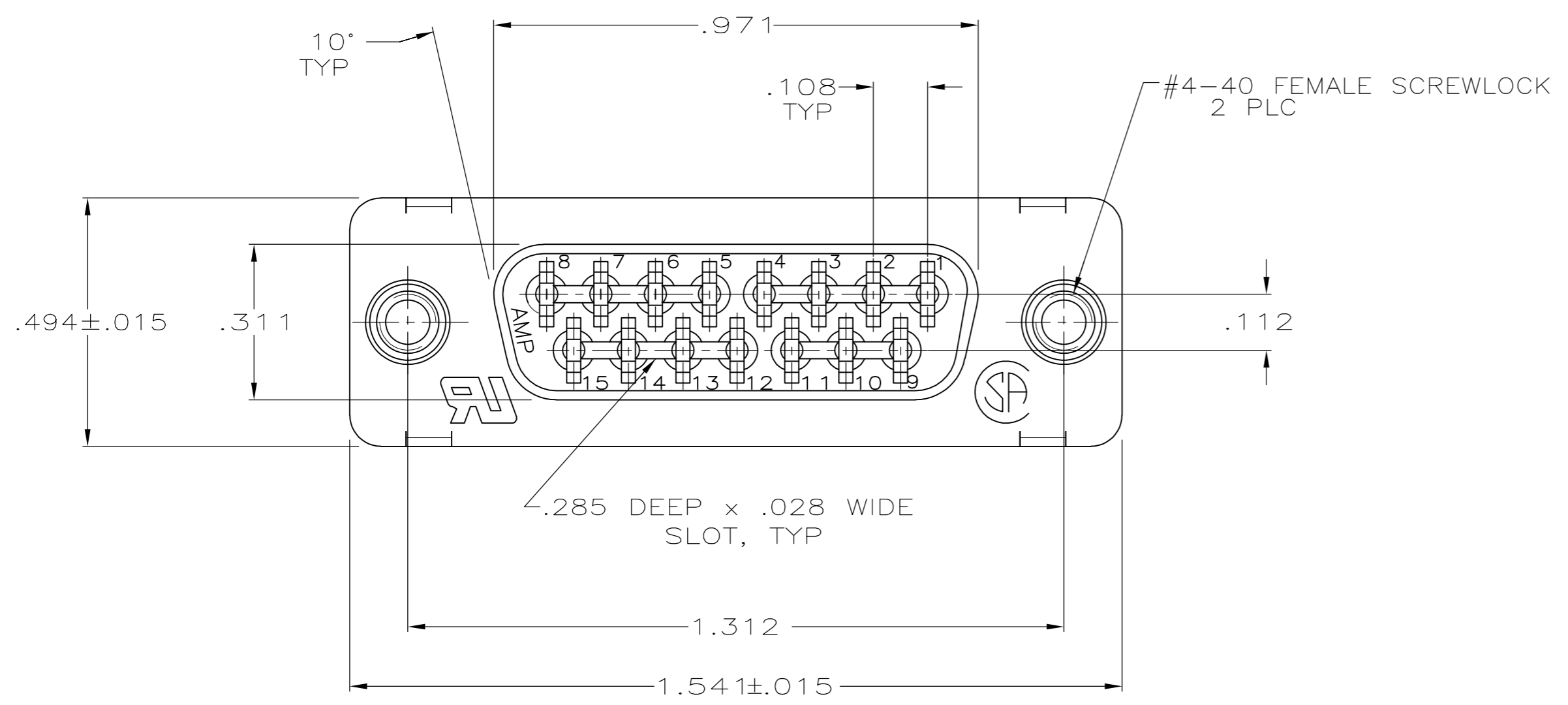
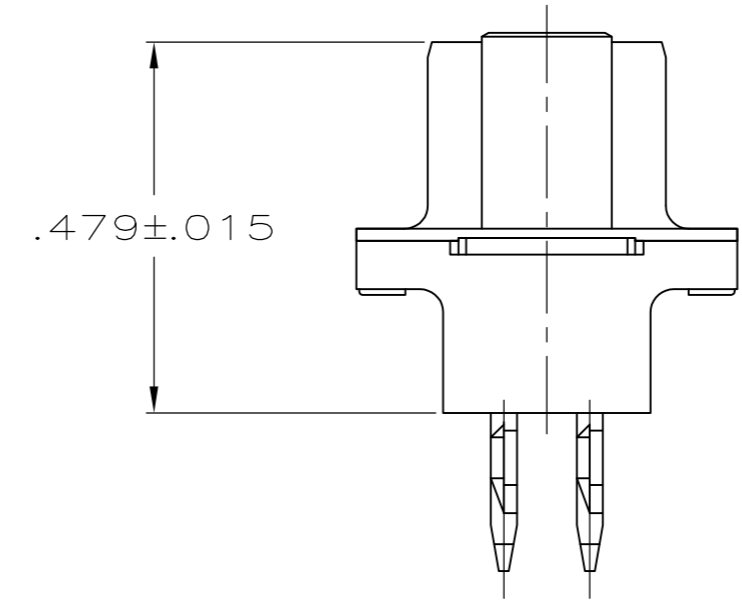
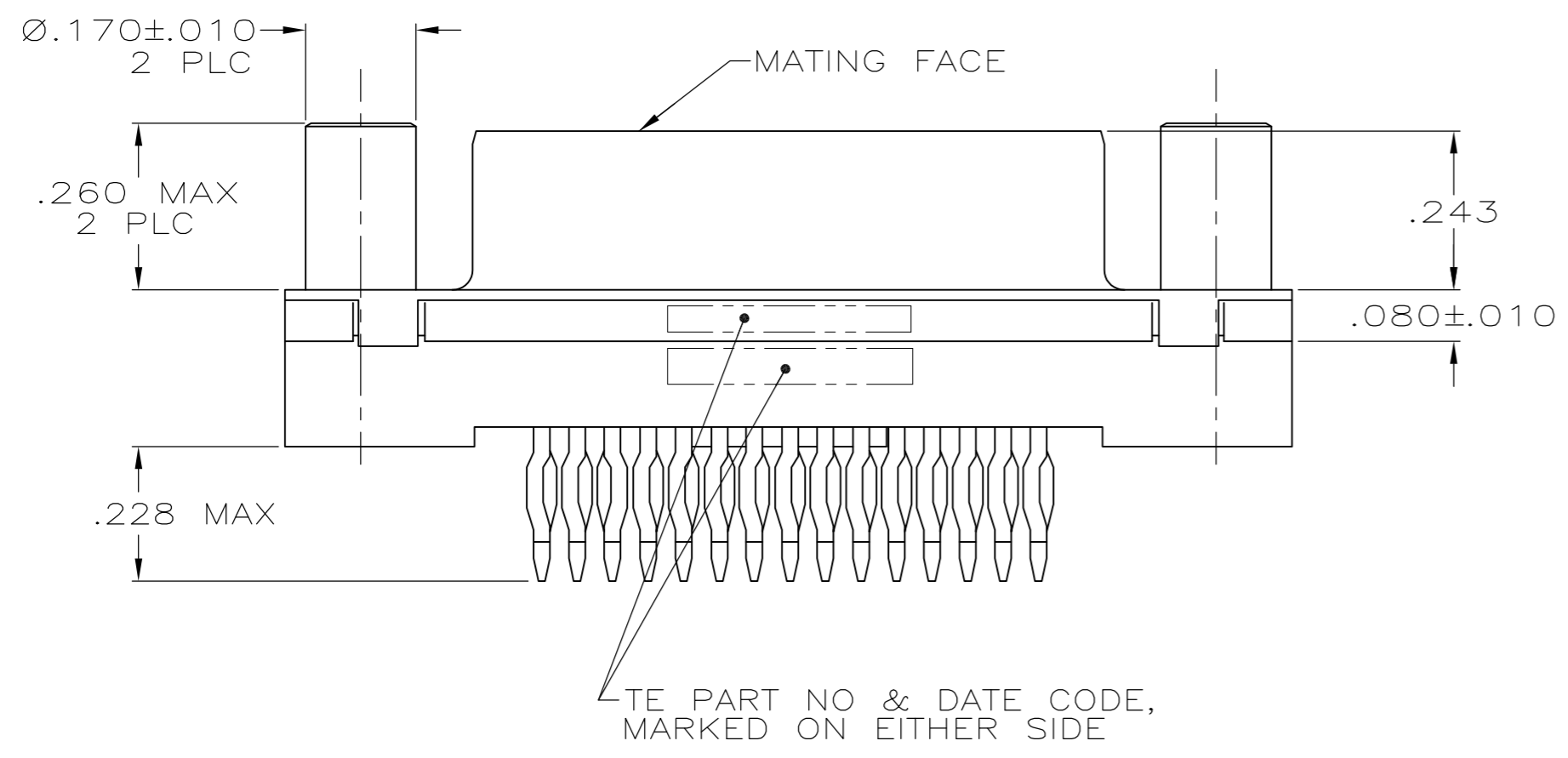


THIS DRAWING IS UNPUBLISHED. RELEASED FOR PUBLICATION  
 © COPYRIGHT - By - ALL RIGHTS RESERVED.

| LOC |     | DIST        |  | REVISIONS                 |           |      |     |
|-----|-----|-------------|--|---------------------------|-----------|------|-----|
| P   | LTR | DESCRIPTION |  | DATE                      | DWN       | APVD |     |
| GP  | 00  | C           |  | REVISED PER ECO-12-000090 | 26JAN2012 | CJV  | SLB |



- 1 FOR USE WITH .093 MINIMUM THICK PRINTED CIRCUIT BOARD. REFER TO APPLICATION SPECIFICATION FOR PRINTED CIRCUIT BOARD LAYOUT DIMENSIONS AND FINISH RECOMMENDATIONS.
- 2 HOUSING: FLAME RETARDANT 94V-0 RATED THERMOPLASTIC, COLOR BLACK  
CONTACTS: COPPER-NICKEL ALLOY.  
SHELL: CARBON STEEL.  
SCREWLOCKS: ZINC ALLOY.
- 3 CONTACTS:  
0.76 MICRO METERS [.000030] MINIMUM GOLD IN MATING AREA.  
2.54 MICRO METERS [.000100] MINIMUM TIN ON COMPLIANT PIN.  
ALL OVER 1.27 MICRO METERS [.000050] MINIMUM NICKEL  
OR  
GOLD FLASH OVER PALLADIUM NICKEL,  
0.76 MICRO METERS [.000030] MINIMUM TOTAL IN MATING AREA.  
2.54 MICRO METERS [.000100] MINIMUM TIN ON COMPLIANT PIN.  
ALL OVER 1.27 MICRO METERS [.000050] MINIMUM NICKEL.



**COPYRIGHT 2005  
 TYCO ELECTRONICS CORP  
 ALL RIGHTS RESERVED**

5747142-2  
 PART NO

|   |  |                                       |   |                    |
|---|--|---------------------------------------|---|--------------------|
| THIS DRAWING IS A CONTROLLED DOCUMENT.<br>DIMENSIONING AND TOLERANCING PER ASME Y14.5M-2009                               |  | DWN<br>G. ATTADIA - DOCK5<br>02-16-05 | TE Connectivity   |                    |
| DIMENSIONS:<br>INCHES   |  | CHK<br>S. BOLASH<br>02-16-05          | RCPT ASSY, SIZE 2, 15 POSN, AMPLIMITE HDP,<br>MDM PROFILE, W/ ACTION PIN CONT & METAL SHELL.<br>#4-40 FEMALE SCREWLOCKS |                    |
| TOLERANCES UNLESS OTHERWISE SPECIFIED:<br>0 PLC ± -<br>1 PLC ± -<br>2 PLC ± -<br>3 PLC ± .005<br>4 PLC ± -<br>ANGLES ± 2° |  | APVD<br>M. WALMSLEY<br>02-16-05       | PRODUCT SPEC<br>108-40014   | NAME               |
| MATERIAL  |  | APPLICATION SPEC<br>114-40026         | SIZE<br>A2  | CAGE CODE<br>00779 |
| FINISH  |  | WEIGHT<br>-                           | DRAWING NO<br>C=5747142   | RESTRICTED TO<br>- |
| CUSTOMER DRAWING  |  | SCALE<br>4:1                          | SHEET<br>1 of 1   | REV<br>C           |